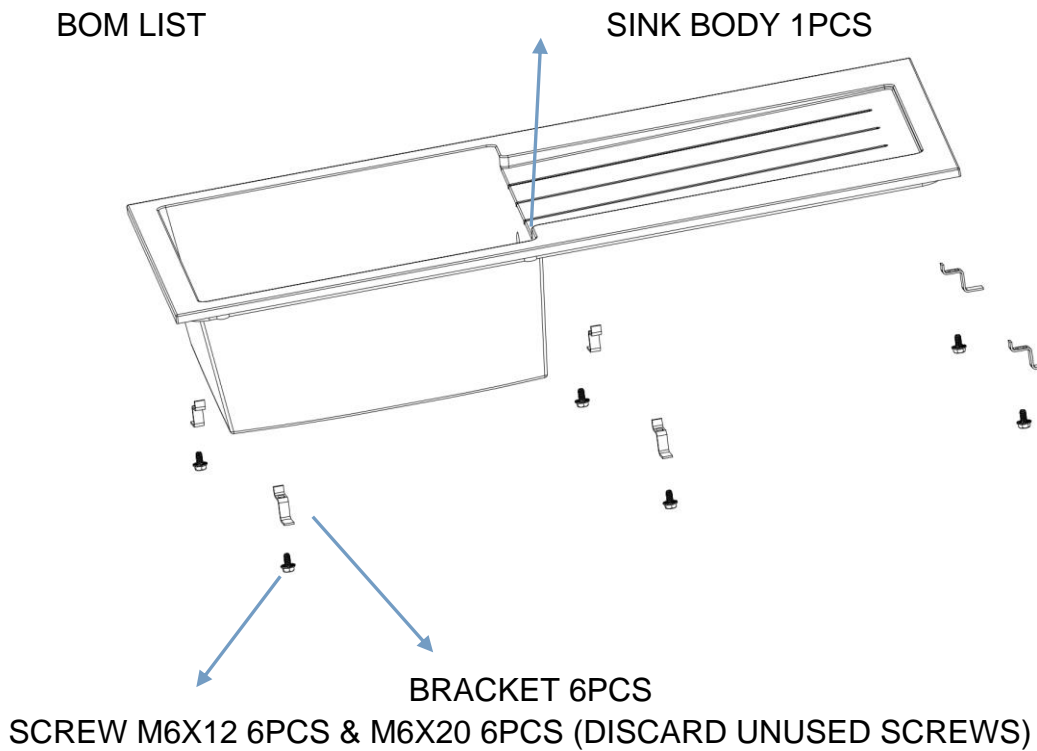
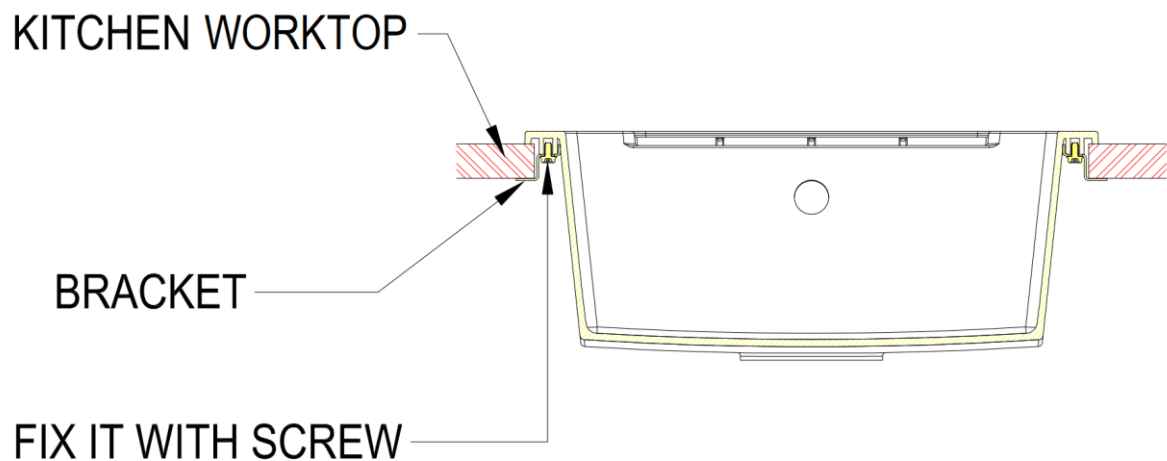


INSTALLATION MANUAL

1, BOM LIST



2, Installation



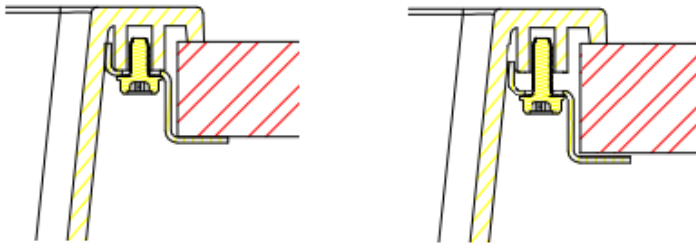
- Based on supplied template to cut kitchen worktop.
- Fix the sink onto the worktop with supplied brackets and screws.

IMPORTANT!

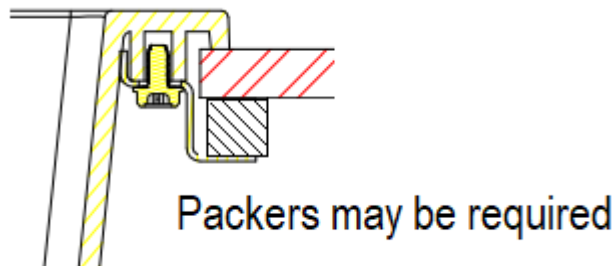
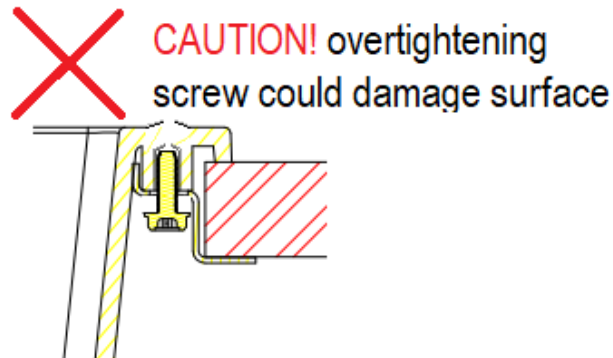
SEE DIRECTIONS BELOW FOR FIXING BRACKETS, FAILURE TO FOLLOW COULD RESULT IN DAMAGE TO THE PRODUCT.

The M6x12 screw will work with surfaces up to 30mm thick
The M6x20 screw will work with surface thickness up to 40mm
Packers will be required for surfaces under 30mm as shown overleaf

CAUTION! OVERTIGHTENING CAN CAUSE DAMAGE



30mm TO 40mm ADJUSTMENT



Instructions for correct use

1. If you are in any doubt as to how to install this product, consult an expert
2. Failure to follow these instructions may result in personal injury, damage to the product and property damage.
3. Be careful of any sharp edges that may remain.
4. It is important to pay attention not to treat your kitchen sink harshly, care should be taken to avoid/minimize the possibility of dropping objects into the sink.
5. Never use steel wool or other abrasive cleaning products.
6. Avoid leaving household bleaches/chemicals in prolonged contact with the sink.
7. It is recommended to clean and dry your sink after each use with a mild detergent/soapy water and wipe dry with a clean cloth.
8. Hard water can leave stains over prolonged use without cleaning/drying

PLEASE RETAIN THESE INSTRUCTIONS FOR FUTURE REFERENCE

“CONFORMITY WITH APPLICABLE EUROPEAN DIRECTIVES 89/109/EEC”