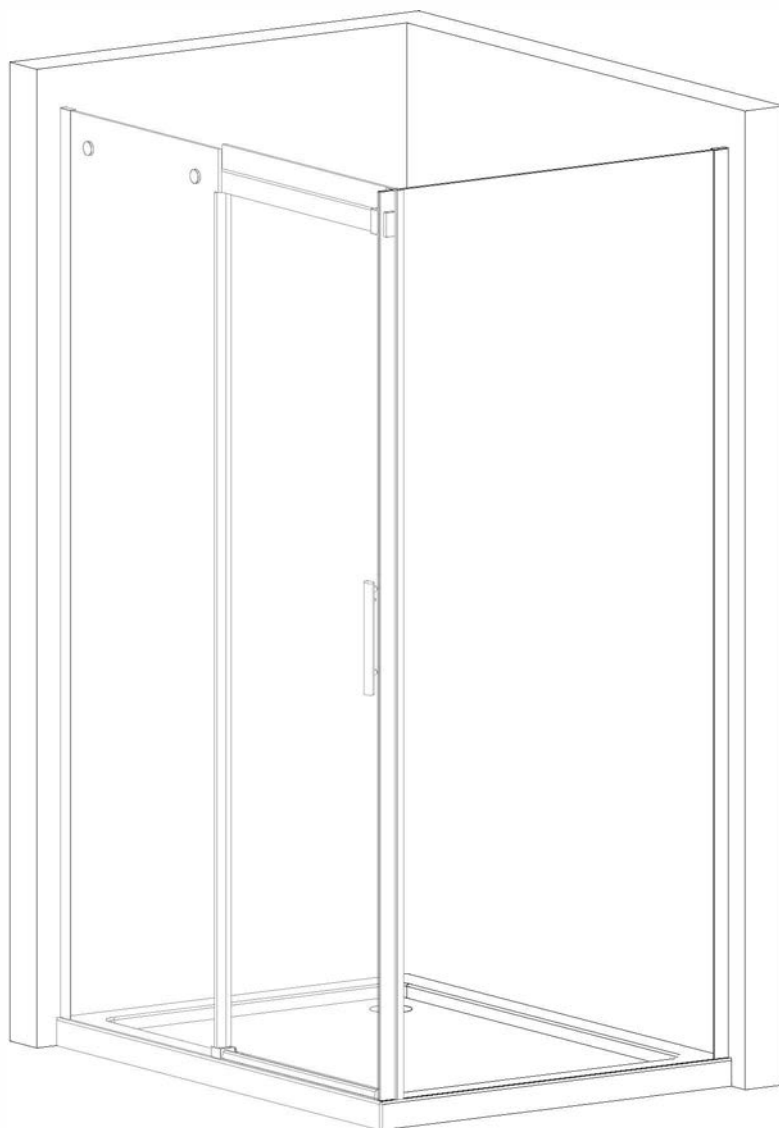


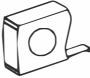


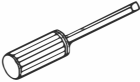
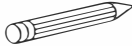
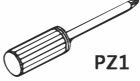






# **SIDE PANEL FOR 8MM FRAMELESS SLIDING DOOR GUIDE**




## General Information

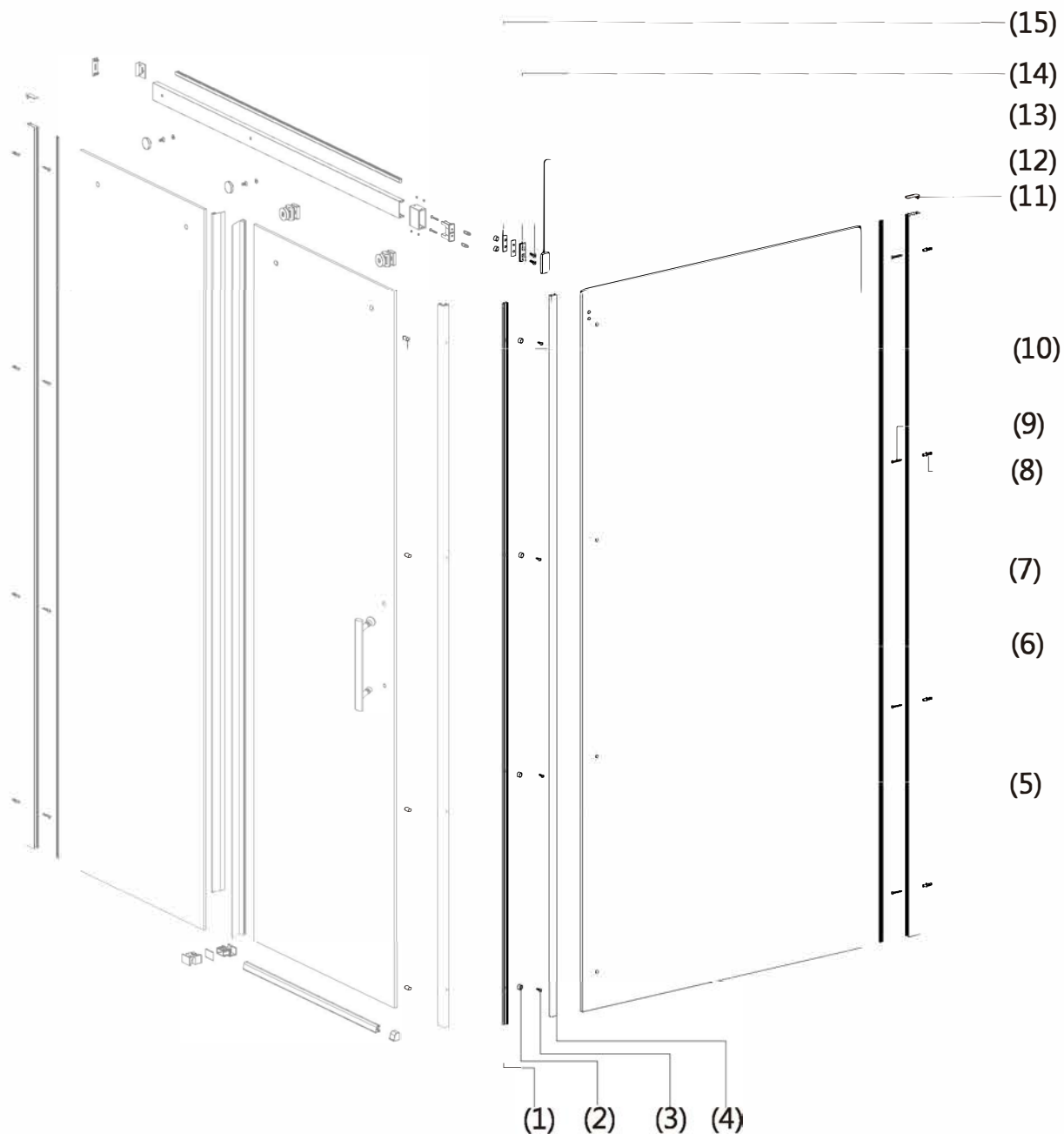
Please inspect this product upon delivery. Any missing parts or manufacturing defects must be reported immediately to the supplier. Damage or defects reported later will not be accepted. **TAKE CARE WHEN HANDLING GLASS PARTS-AVOID HEAVY CONTACT BETWEEN THE GLASS EDGES AND ANY HARD SURFACE.** Glass breakage claims will not be accepted after the product has been unpacked.

## TOOLS REQUIRED

DESCRIPTION	PART IMAGE	DESCRIPTION	PART IMAGE
Tape measure		Drill	
Spirit level		Flat-head Screwdriver	
Pencil		Cross head Screwdriver	 PZ1
Ø6mm Drill bit		Mallet	
Ø3mm Drill bit		Silicone Sealant	
Ø4 Allen Key		Ø2 Allen Key	

 This product is heavy and may require two people to install.

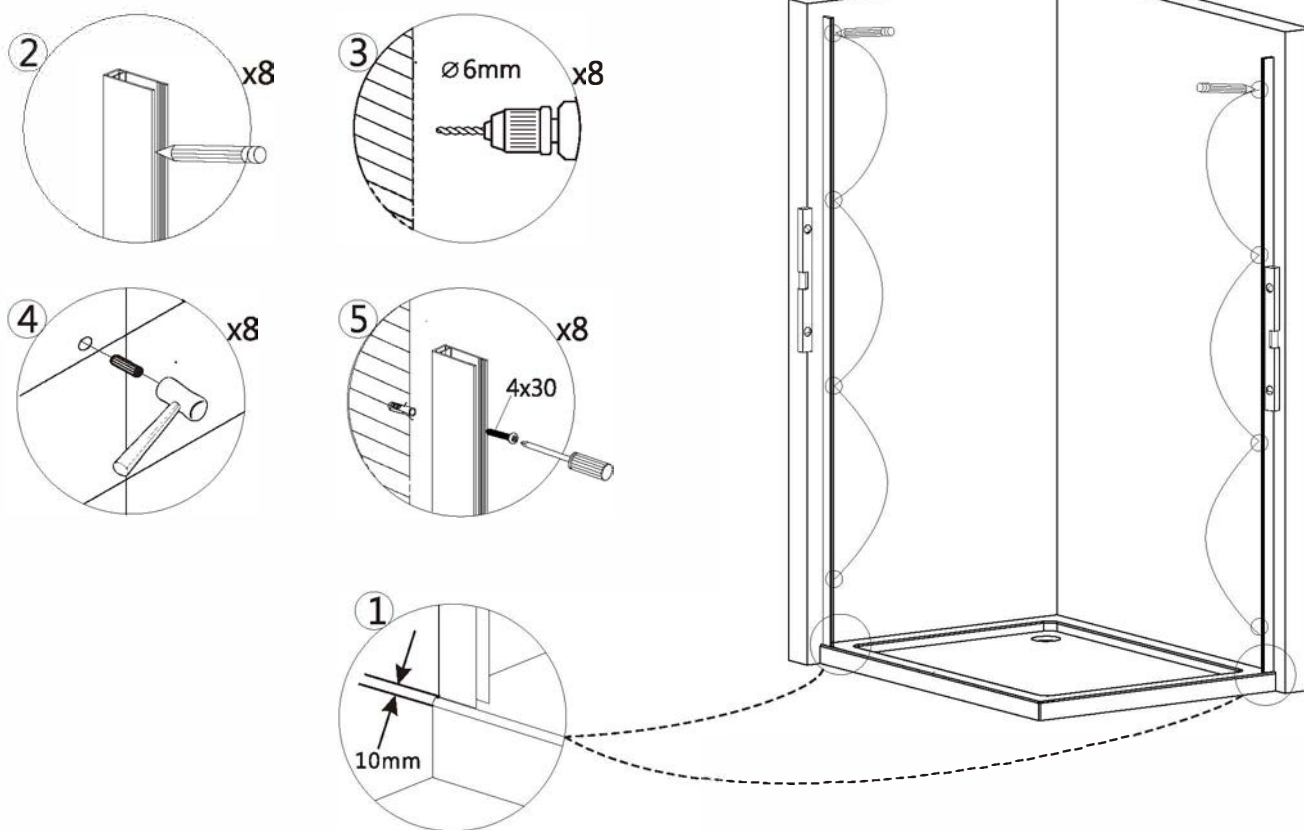
# ASSEMBLY INSTRUCTIONS - DRAWING



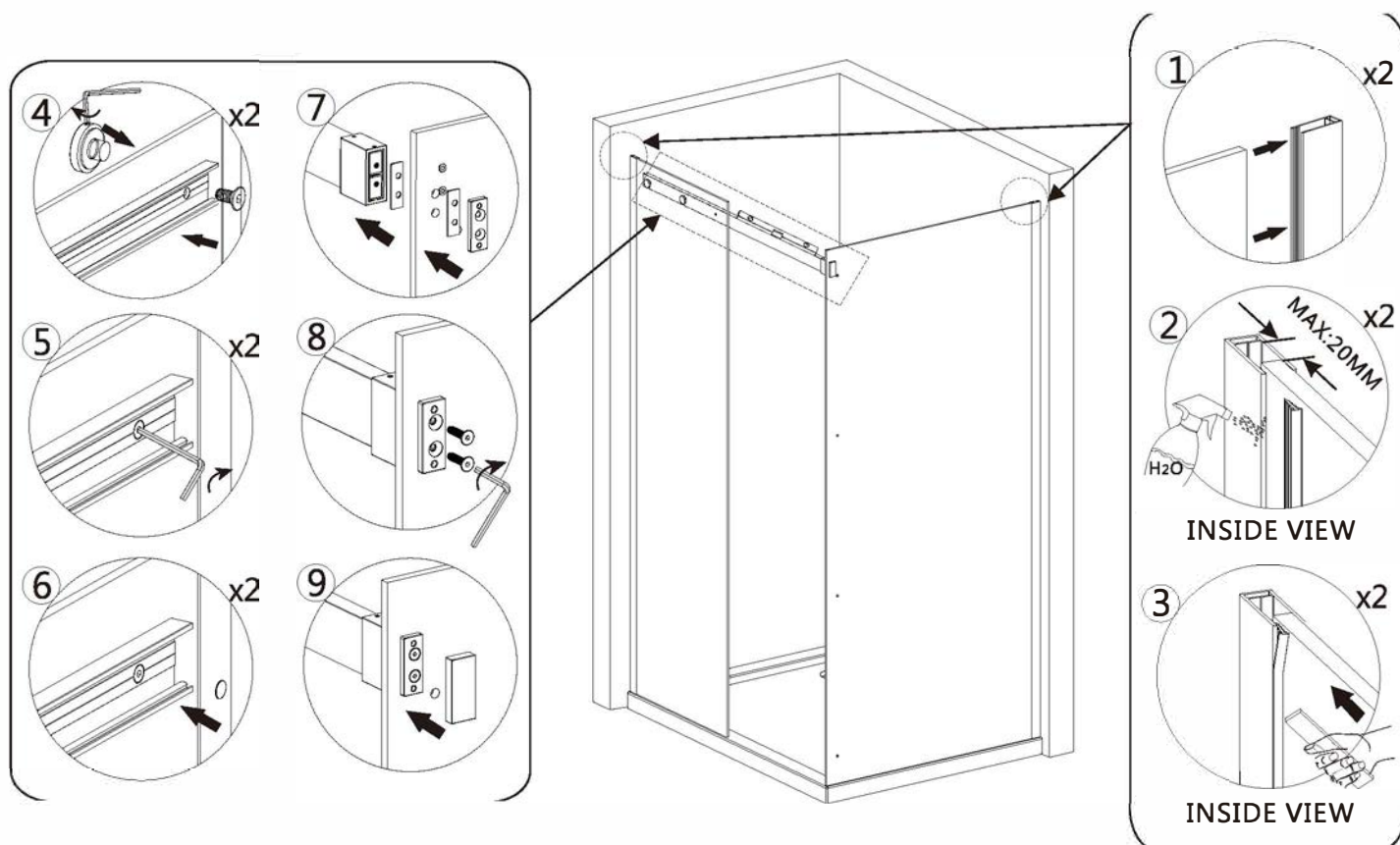
- (1) 1x Seal B
- (2) 6x PVC Hoses
- (3) 4x Screws 4x16
- (4) 1x Seal A
- (5) 1x Fixed Panel
- (6) 1x Wedge Gasket Seal
- (7) 1x Wall Profile
- (8) 4x Wall Plugs
- (9) 4x Screws 4x30 } In Door Panel Box
- (10) 4x Bump Stops
- (11) 1x Wall Post Cover Cap B
- (12) 1x Cover Cap (Guide Rail)
- (13) 2x Screws M5x20 (Sink Head)
- (14) 1x Outer Washer
- (15) 2x Inner Washers

# CORNER INSTALLATION WITH A SIDE PANEL

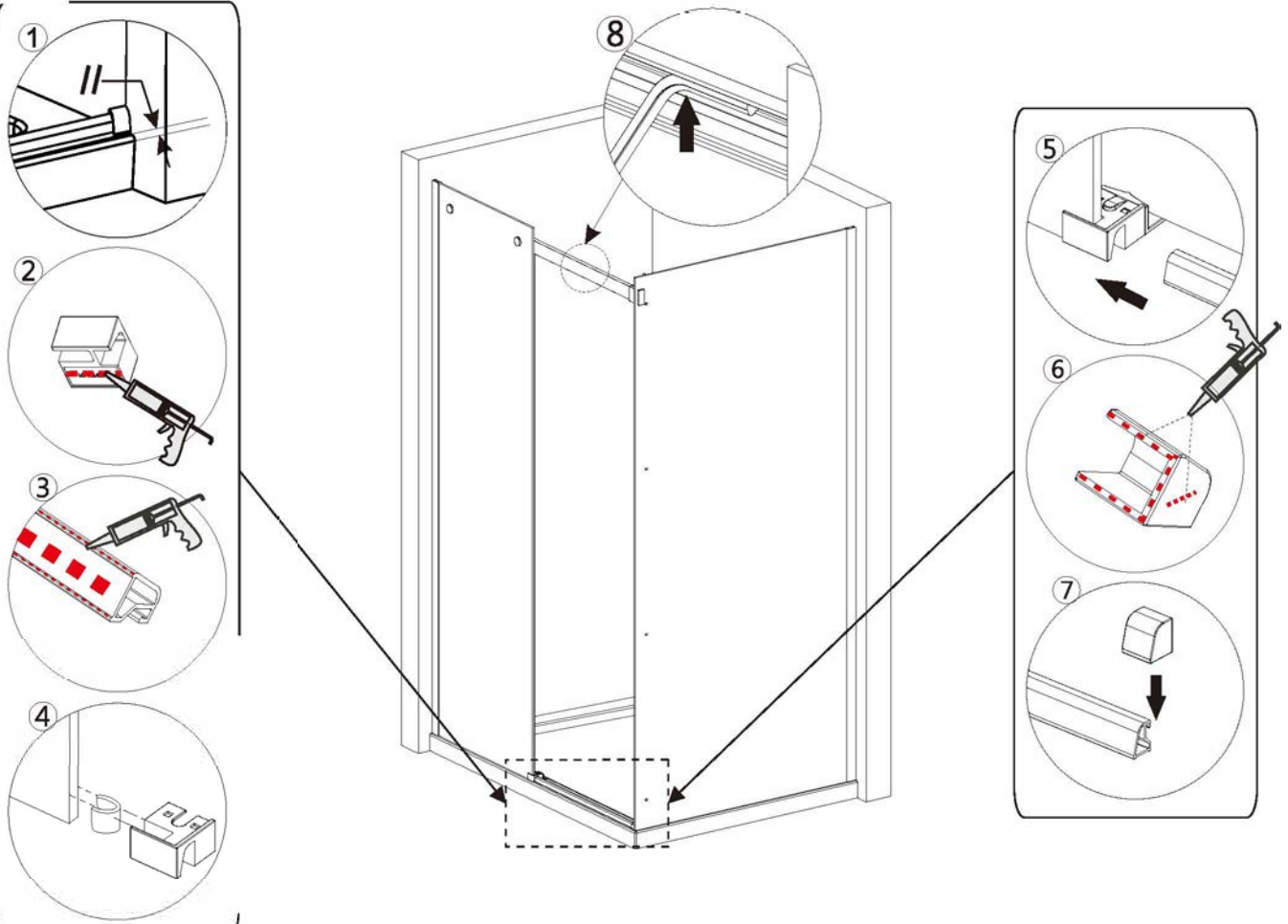
## STEP 1



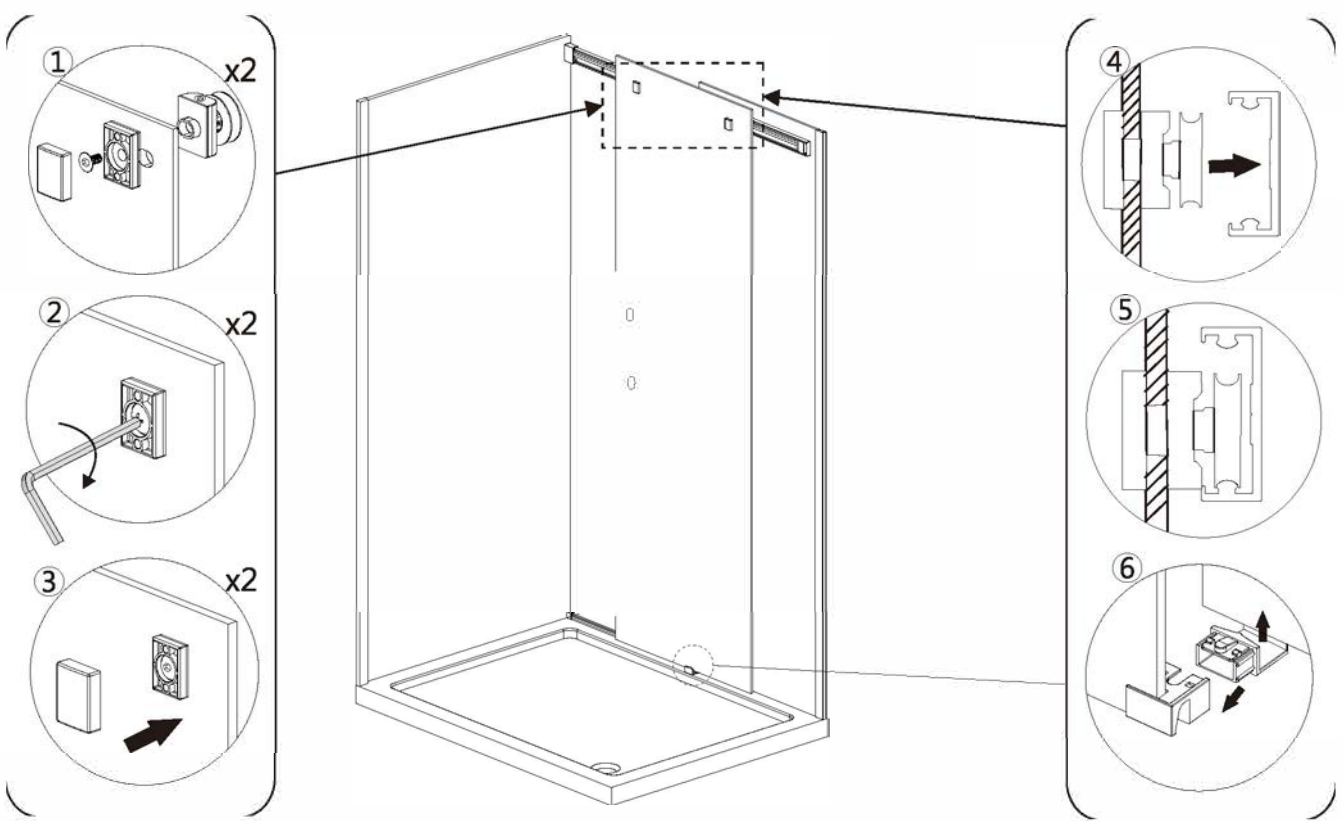
## STEP 2



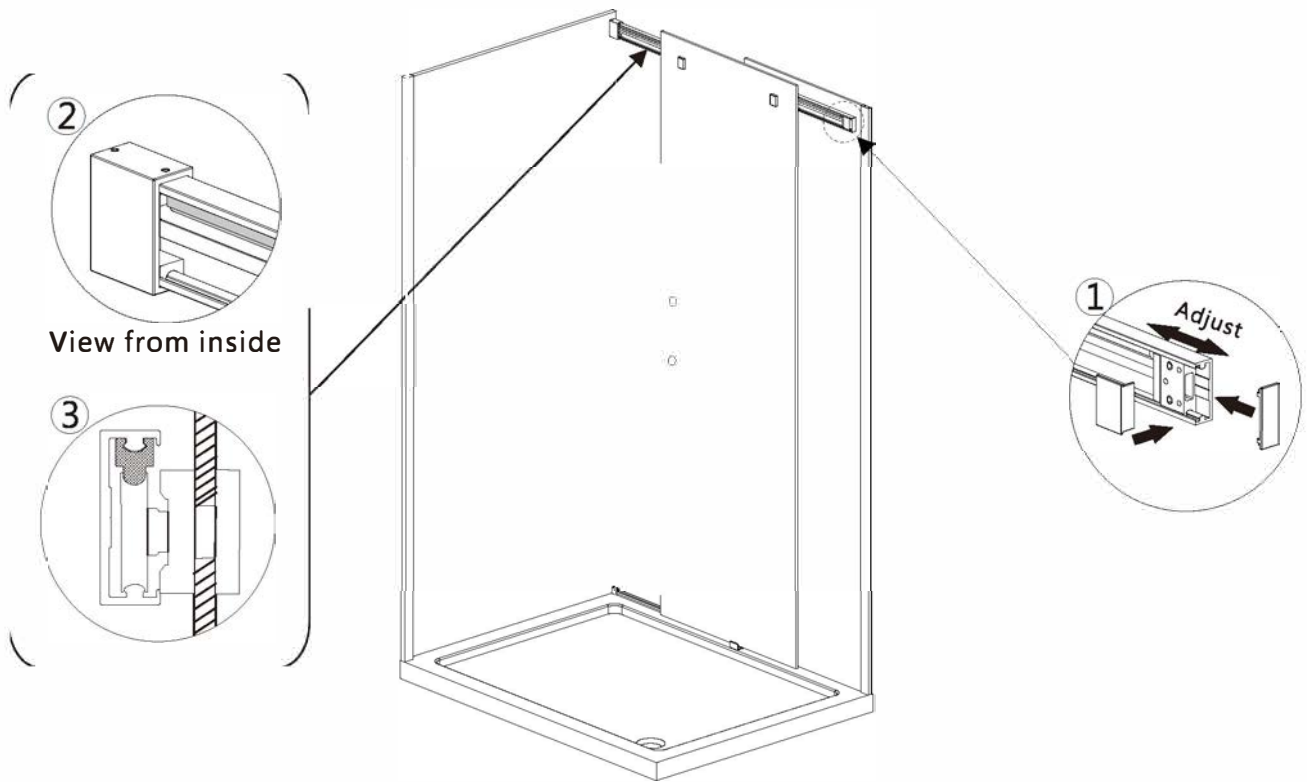
STEP 3



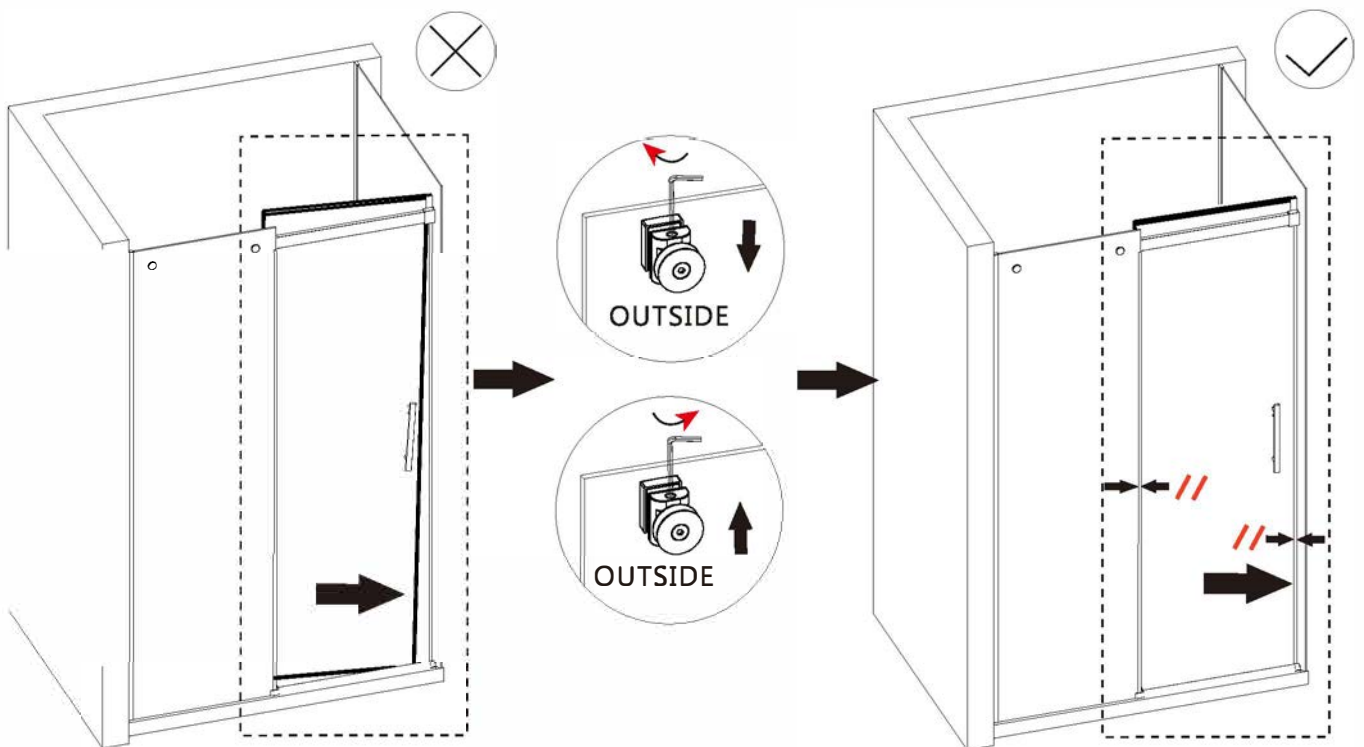
STEP 4



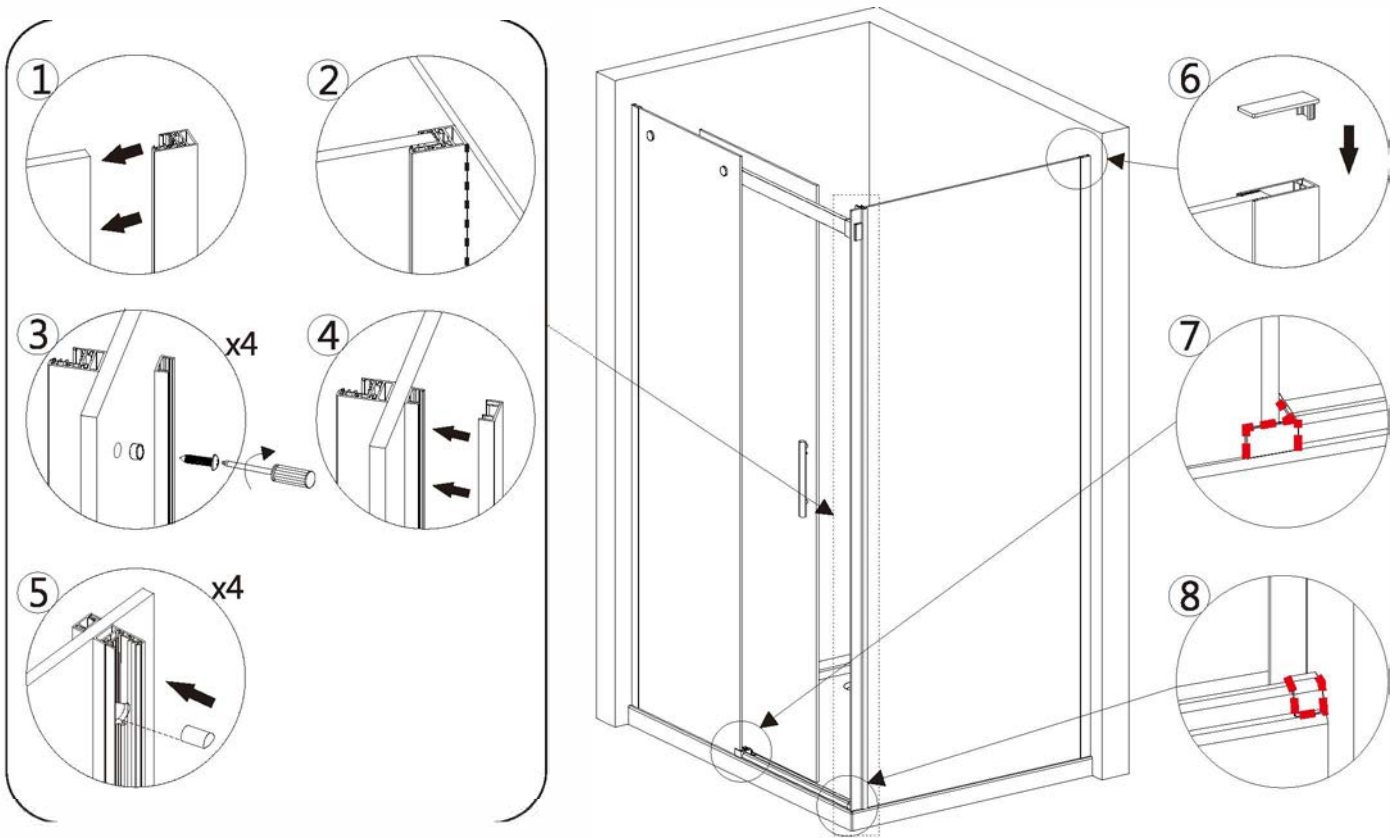
## STEP 5



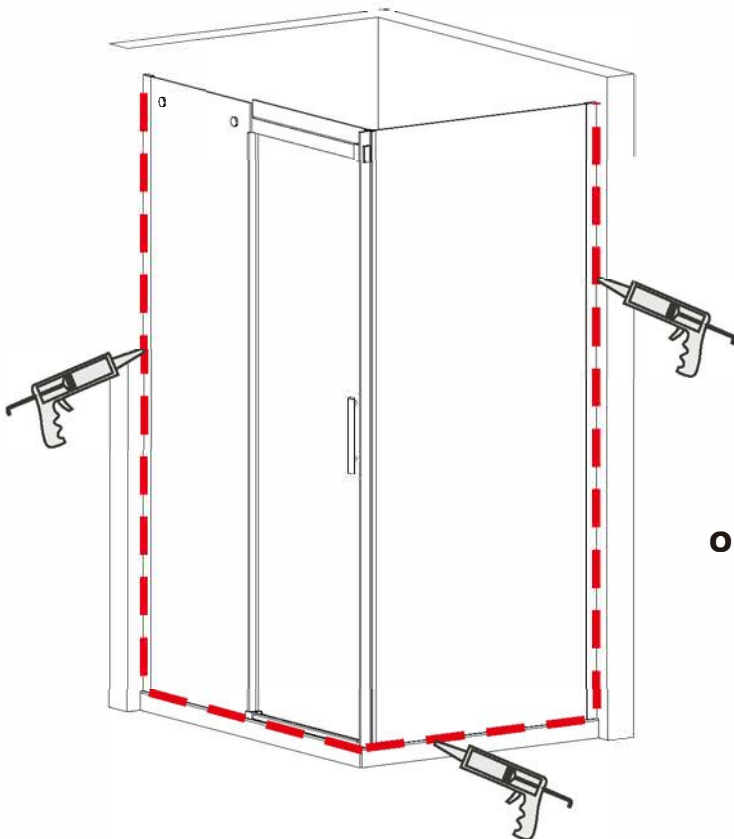
## STEP 6



## STEP 7



## STEP 8



**Allow 24 hours for silicone to dry before use. Silicone on the outside edge only, NOT THE INSIDE**