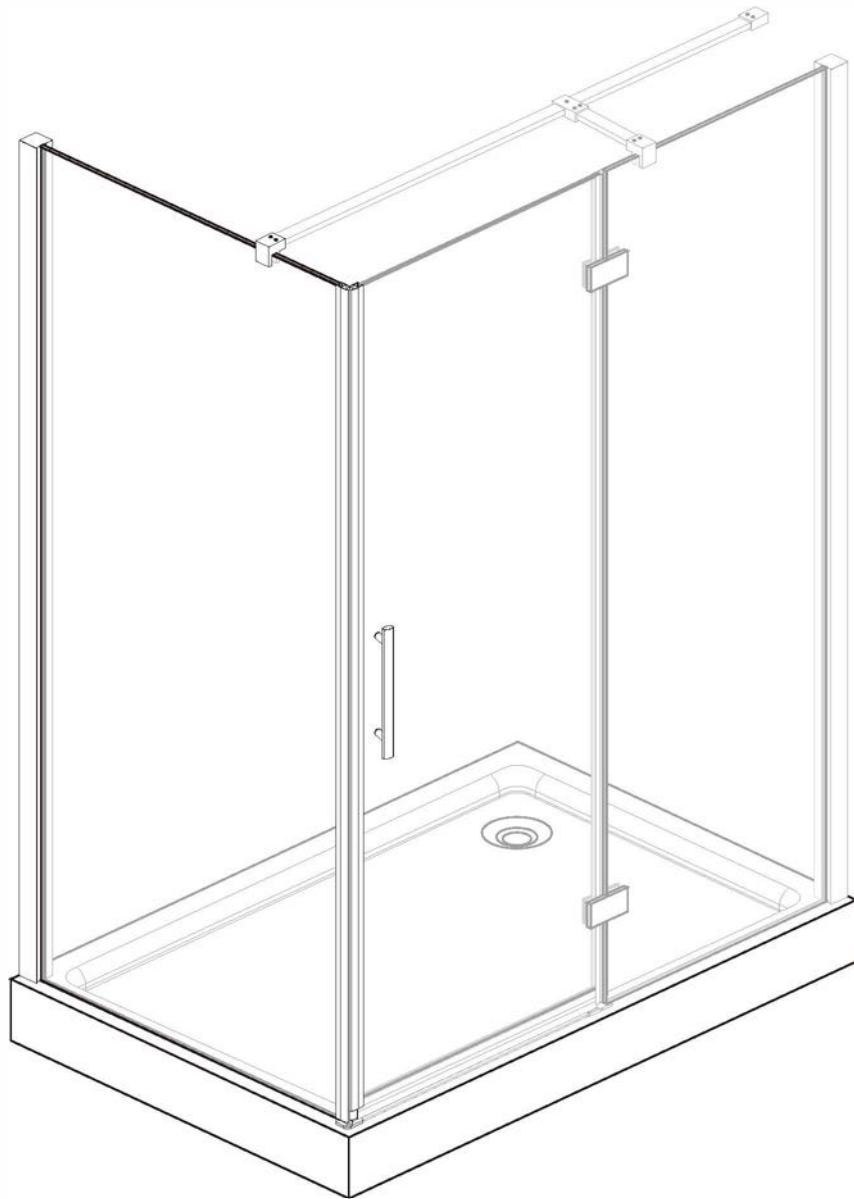


8MM FRAMELESS HINGED DOOR WITH SIDE PANEL GUIDE

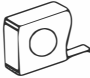


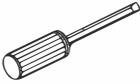
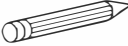
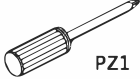









Note: Assembly Hinge Door With Side Panel, Please Use This Instruction.

General Information

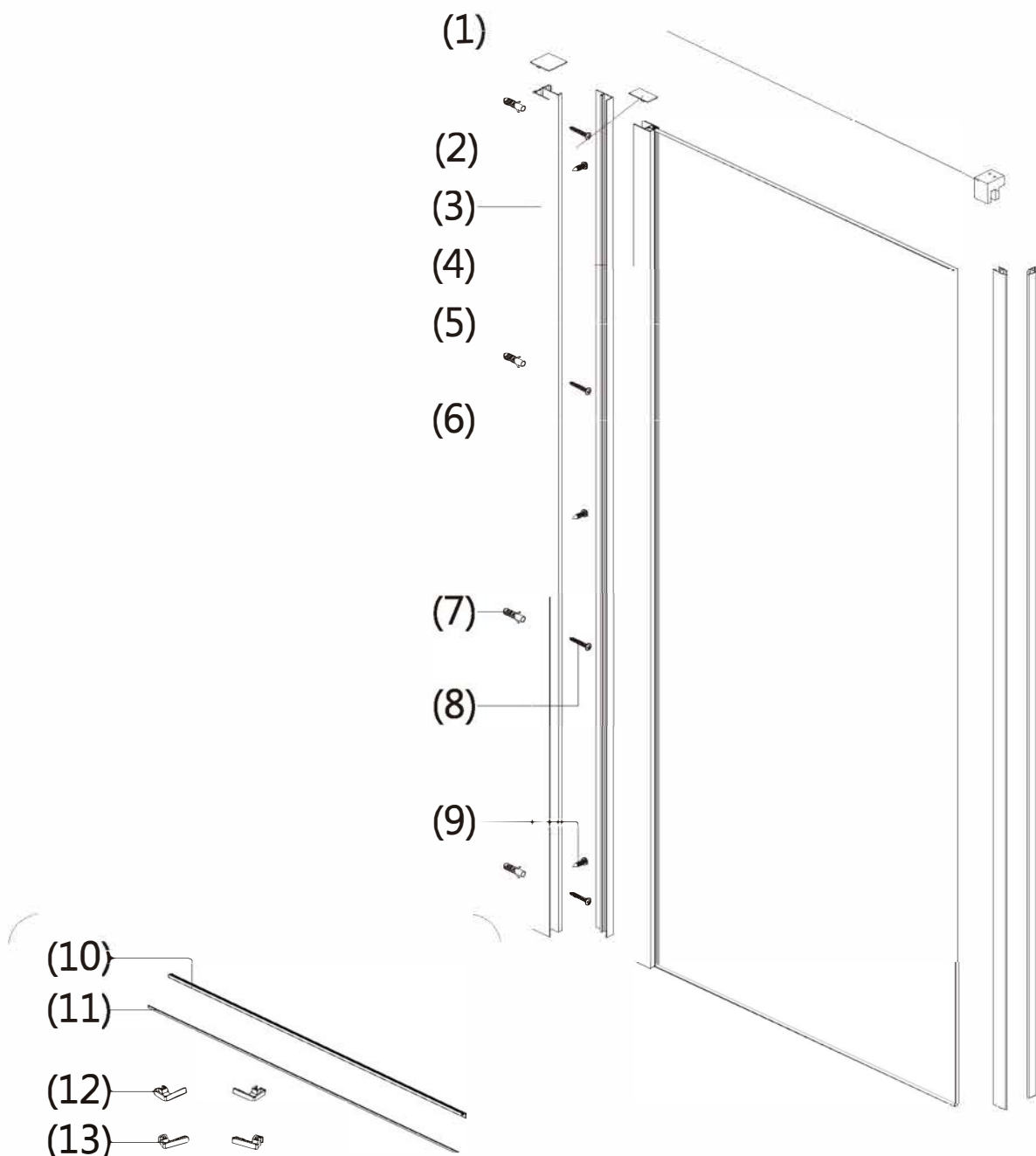
Please inspect this product upon delivery. Any missing parts or manufacturing defects must be reported immediately to the supplier. Damage or defects reported later will not be accepted. **TAKE CARE WHEN HANDLING GLASS PARTS-AVOID HEAVY CONTACT BETWEEN THE GLASS EDGES AND ANY HARD SURFACE.** Glass breakage claims will not be accepted after the product has been unpacked.

TOOLS REQUIRED

| DESCRIPTION | PART IMAGE | DESCRIPTION | PART IMAGE |
|----------------|---|------------------------|--|
| Tape measure |  | Drill |  |
| Spirit level |  | Flat-head Screwdriver |  |
| Pencil |  | Cross head Screwdriver |  PZ1 |
| Ø6mm Drill bit |  | Mallet |  |
| Ø3mm Drill bit |  | Silicone Sealant |  |
| Ø4 Allen Key |  | Ø2 Allen Key |  |

 This product is heavy and may require two people to install.

ASSEMBLY INSTRUCTIONS - DRAWING



HINGE DOOR BOTTOM SEAL AND END CAP.
ONLY USED WHEN ASSEMBLY HINGE DOOR
WITH SIDE PANEL.

- (1) 1x Glass clamp
- (2) 1x Upright profile top cap
- (3) 1x Wall profile
- (4) 1x Wall profile cover strip
- (5) 1x Fixed panel
- (6) 2x Magnet seals
- (7) 4x Wall plugs

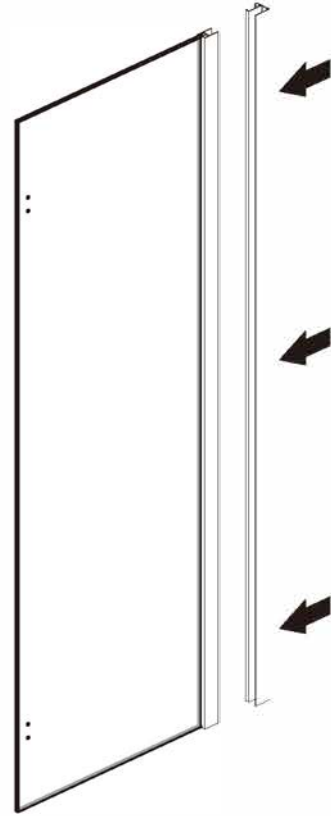
- (8) 4x Screws 4*30
- (9) 3x Screws 4*12
- (10) 1x Bottom seal A
- (11) 1x Bottom seal B
- (12) 2x Bottom Strip Caps A L&R
- (13) 2x Bottom Strip Caps B L&R

Before Installation

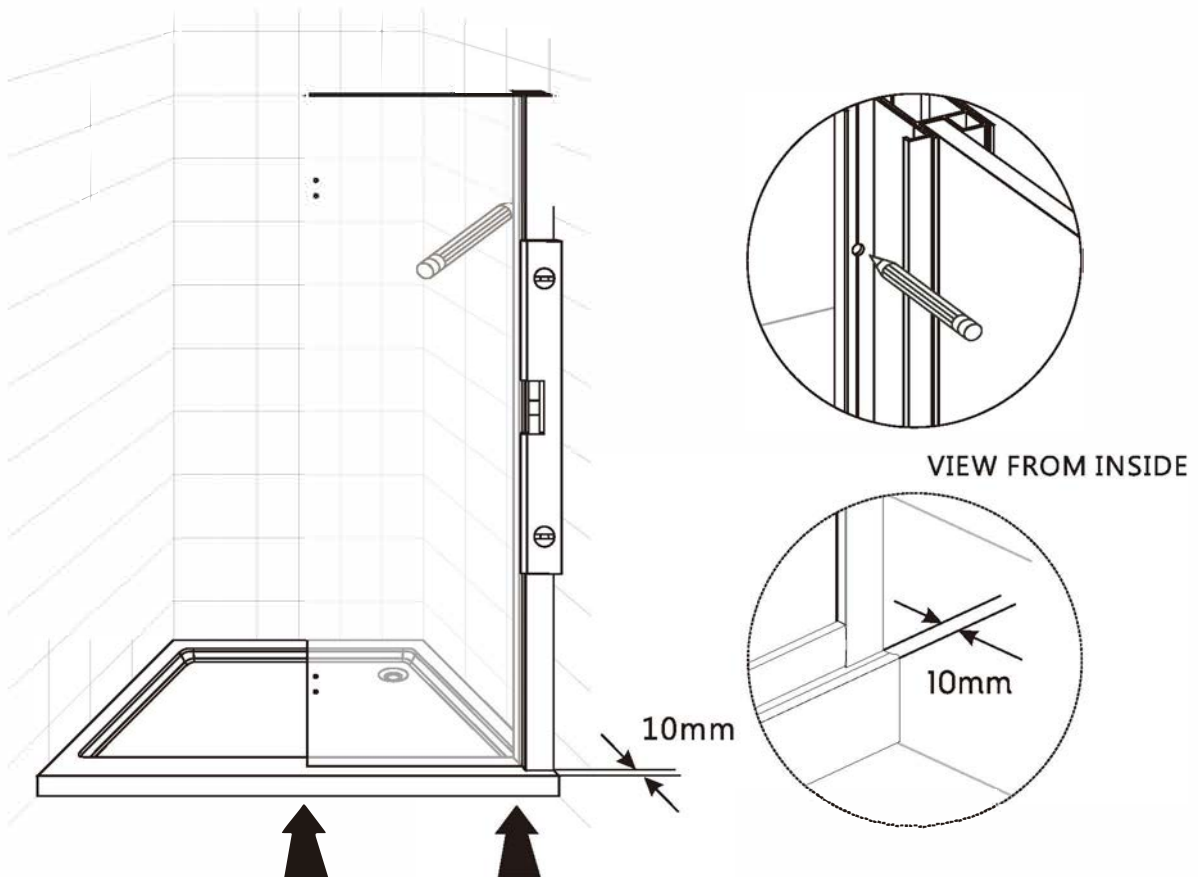
Please ensure that the shower tray is level and checked with a spirit level. The tray should be installed first. Tiles should then be tiled down to the tray. The enclosure can then be installed.

Step 1

(LHD901A+LHD901B) (LHD1201A+LHD901B)
865-890MM 1165-1190MM



STEP 2



STEP 5

760(LSP7602)

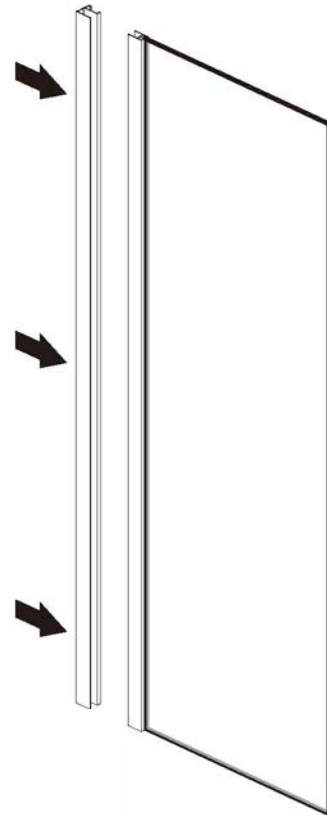
730-750

800(LSP802)

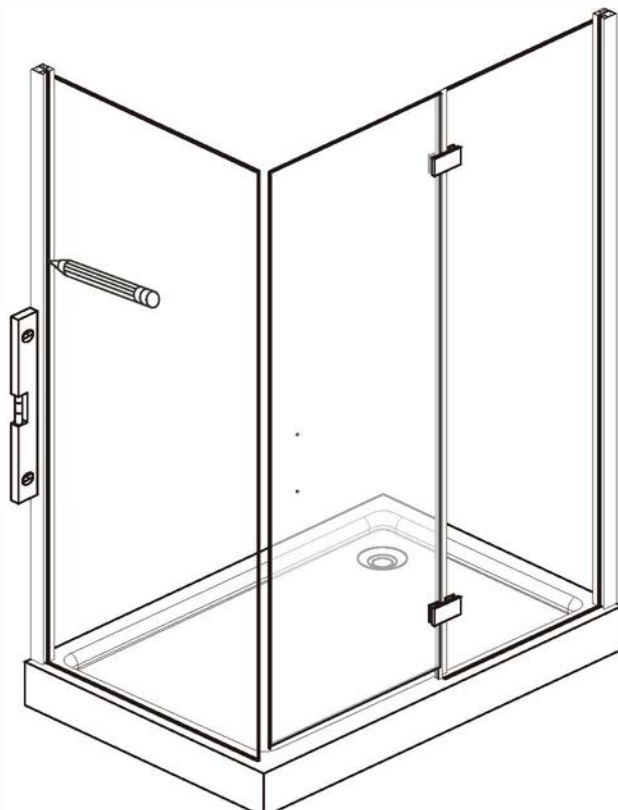
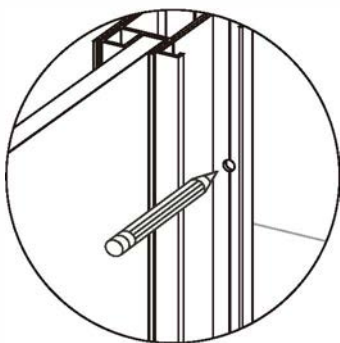
770-790

900(LSP902)

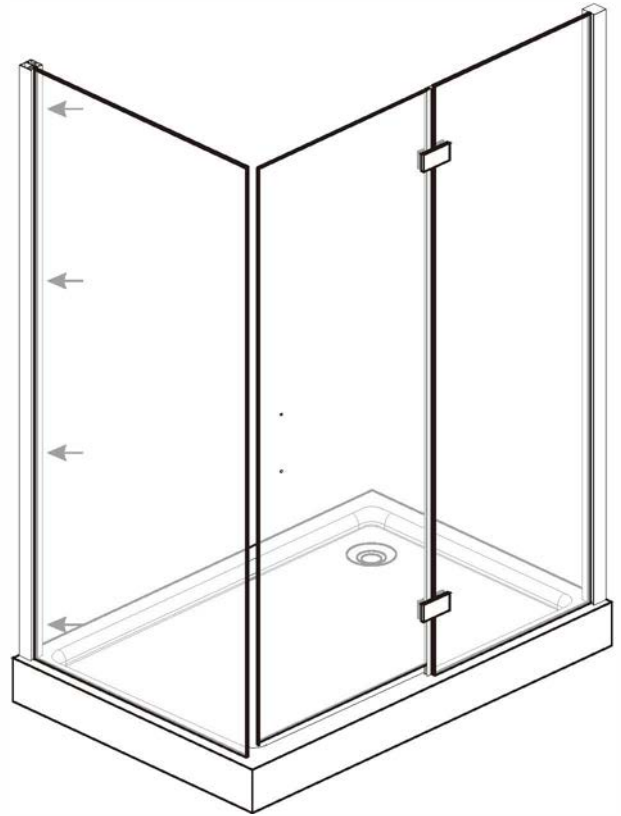
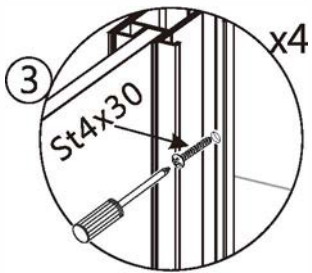
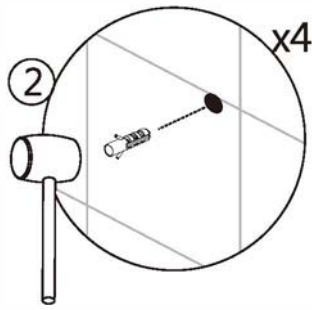
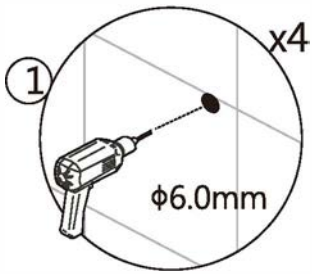
870-890



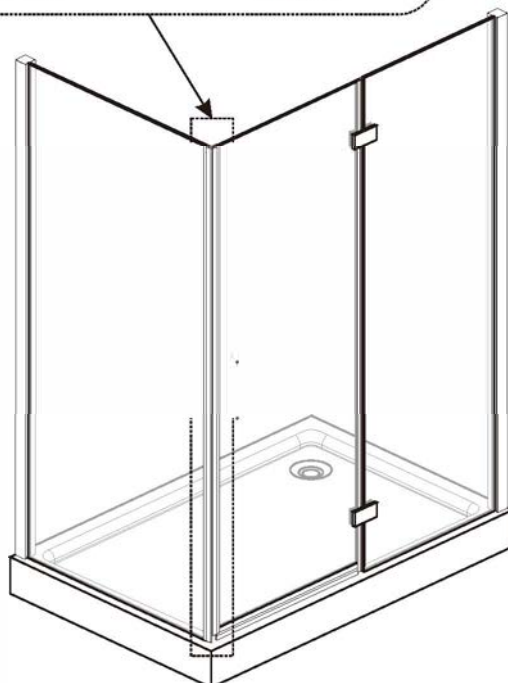
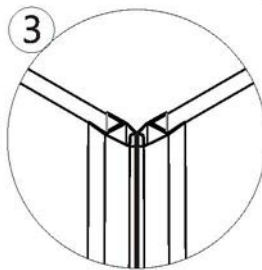
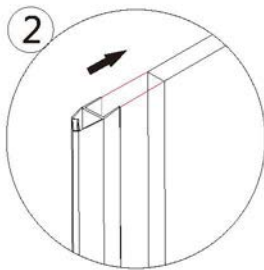
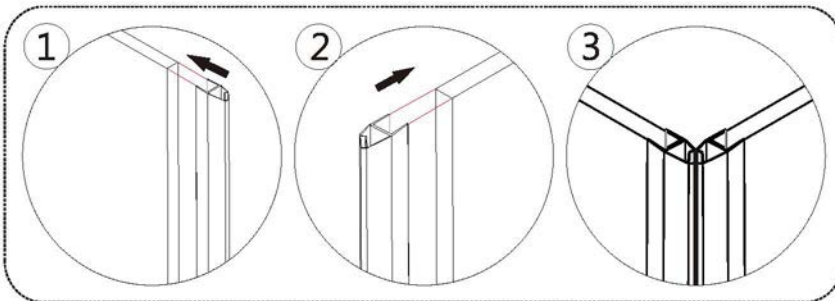
STEP 6



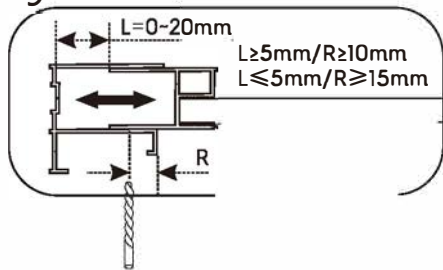
STEP 7



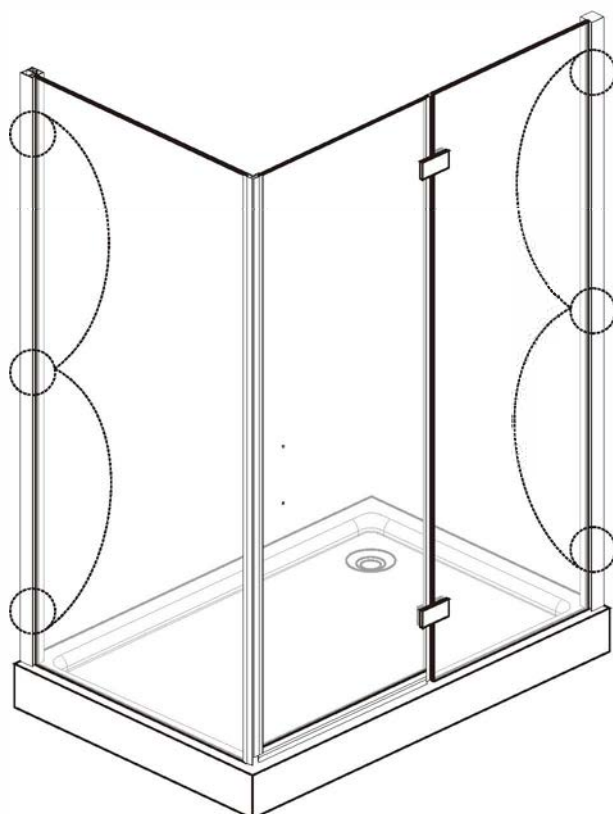
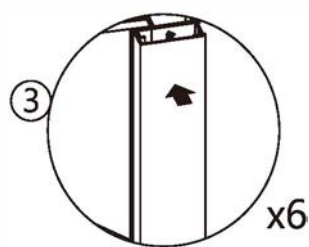
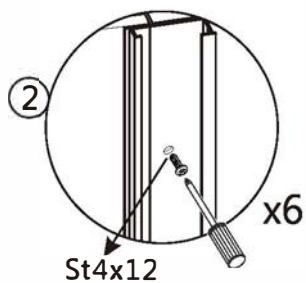
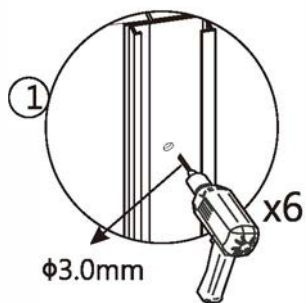
STEP 8



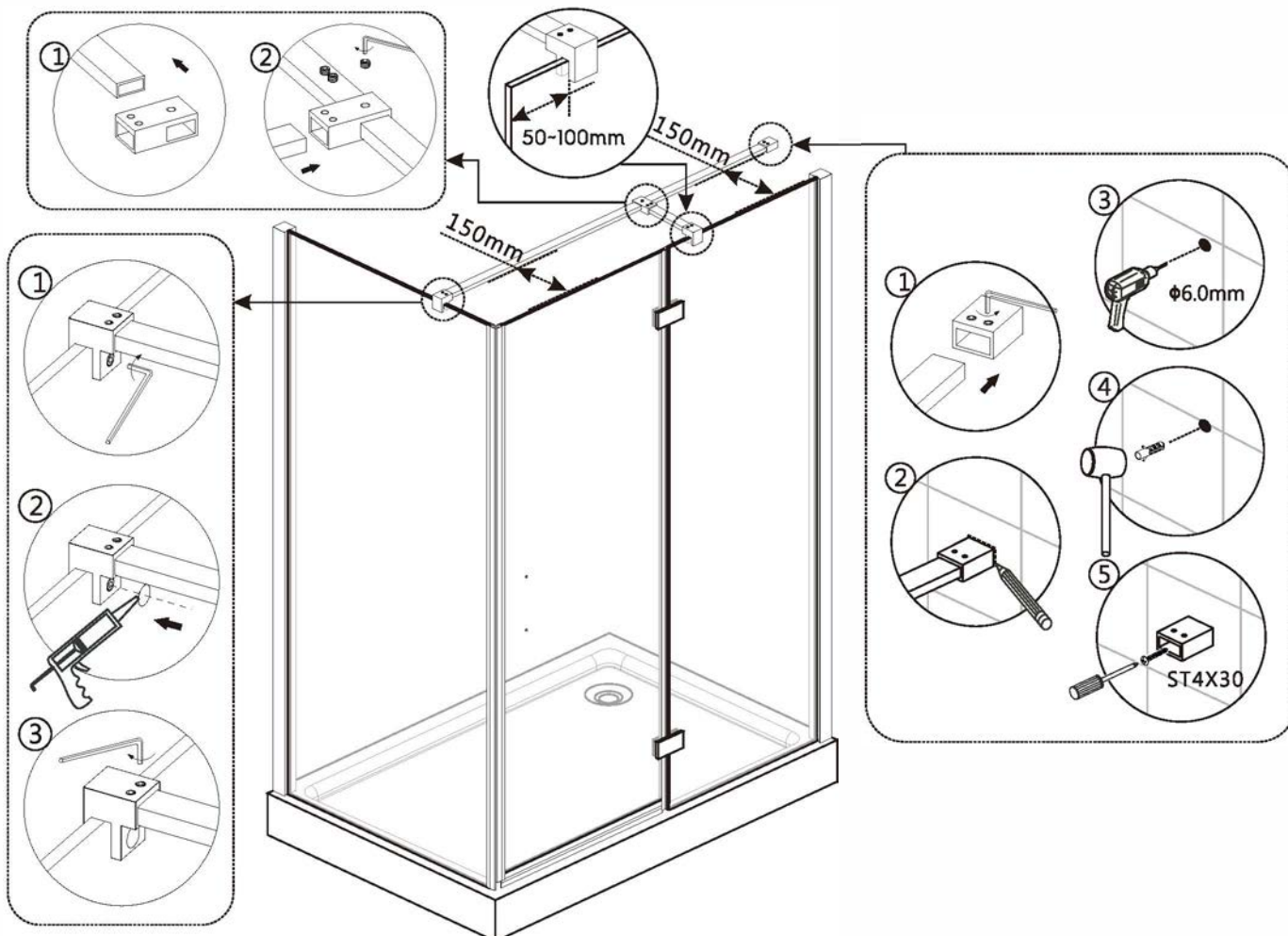
STEP 9



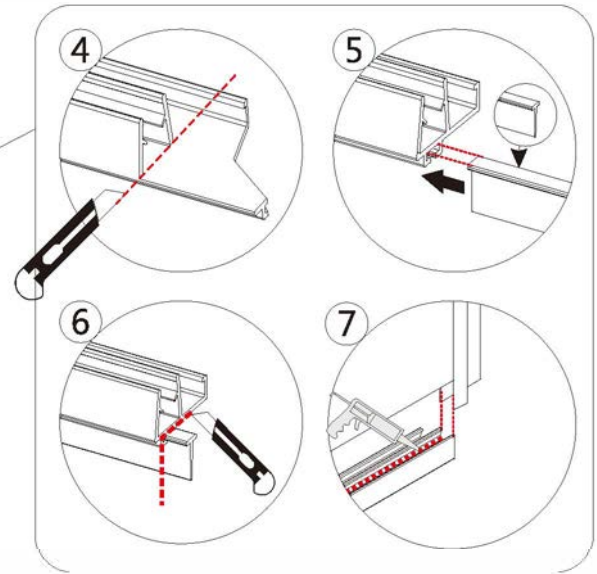
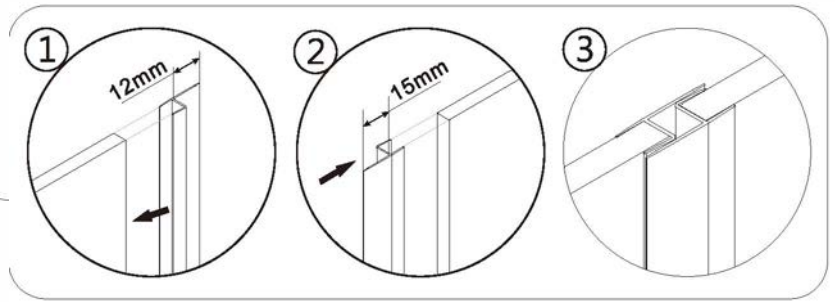
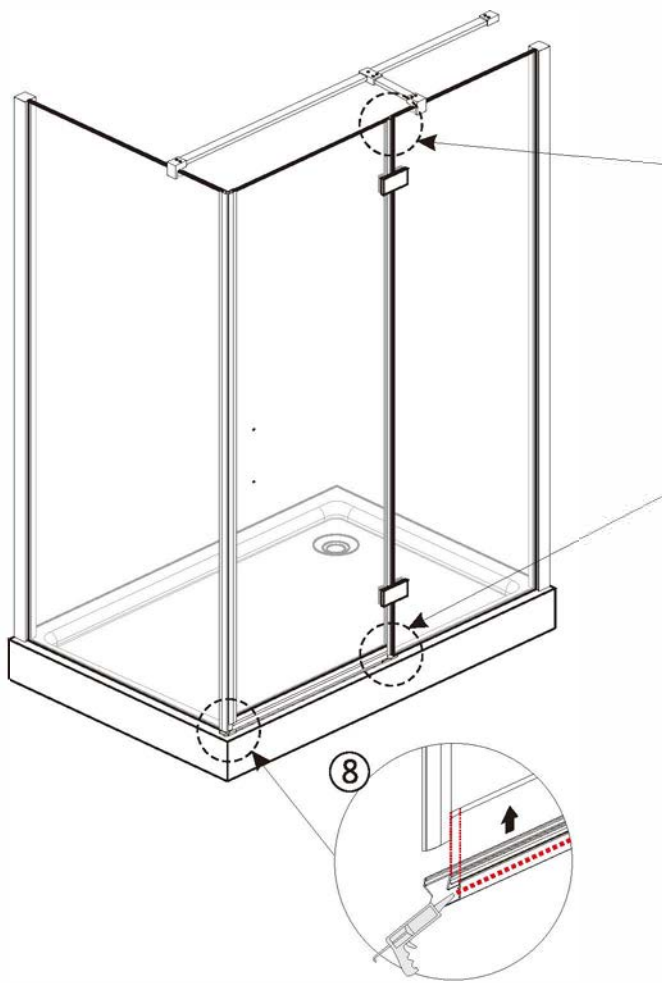
⚠ Take care not to drill into the glass



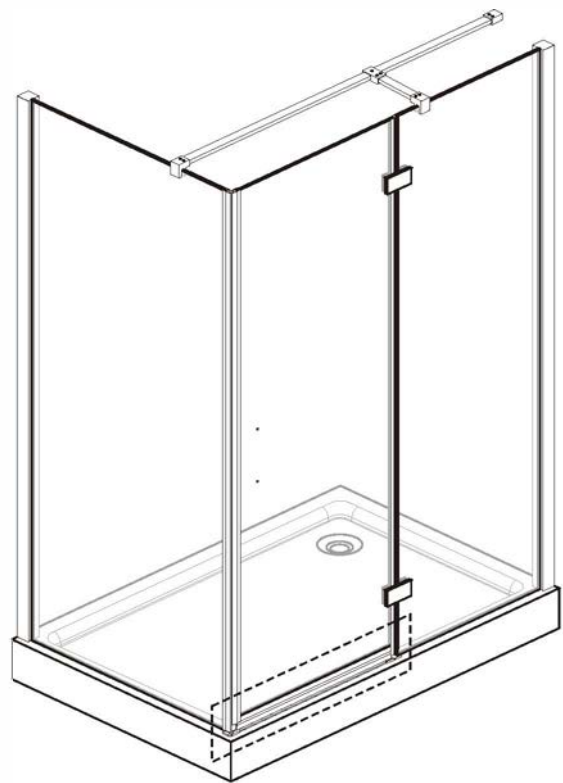
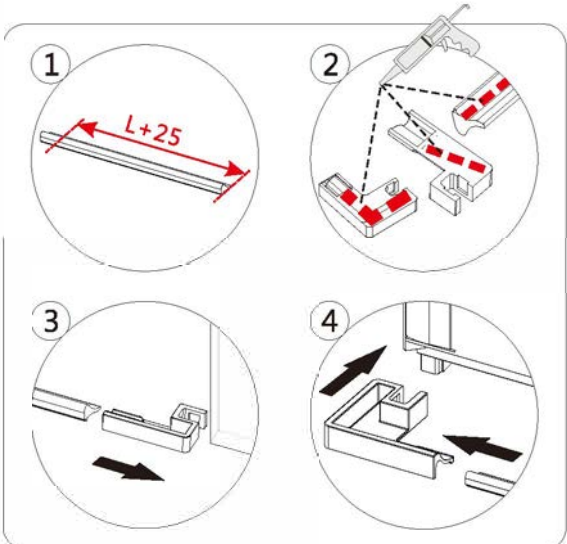
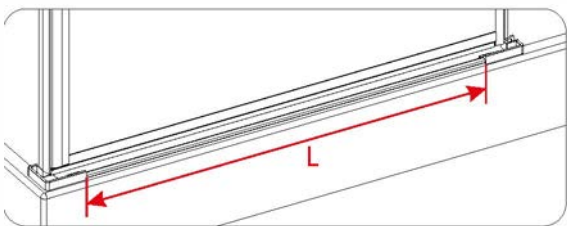
STEP 10



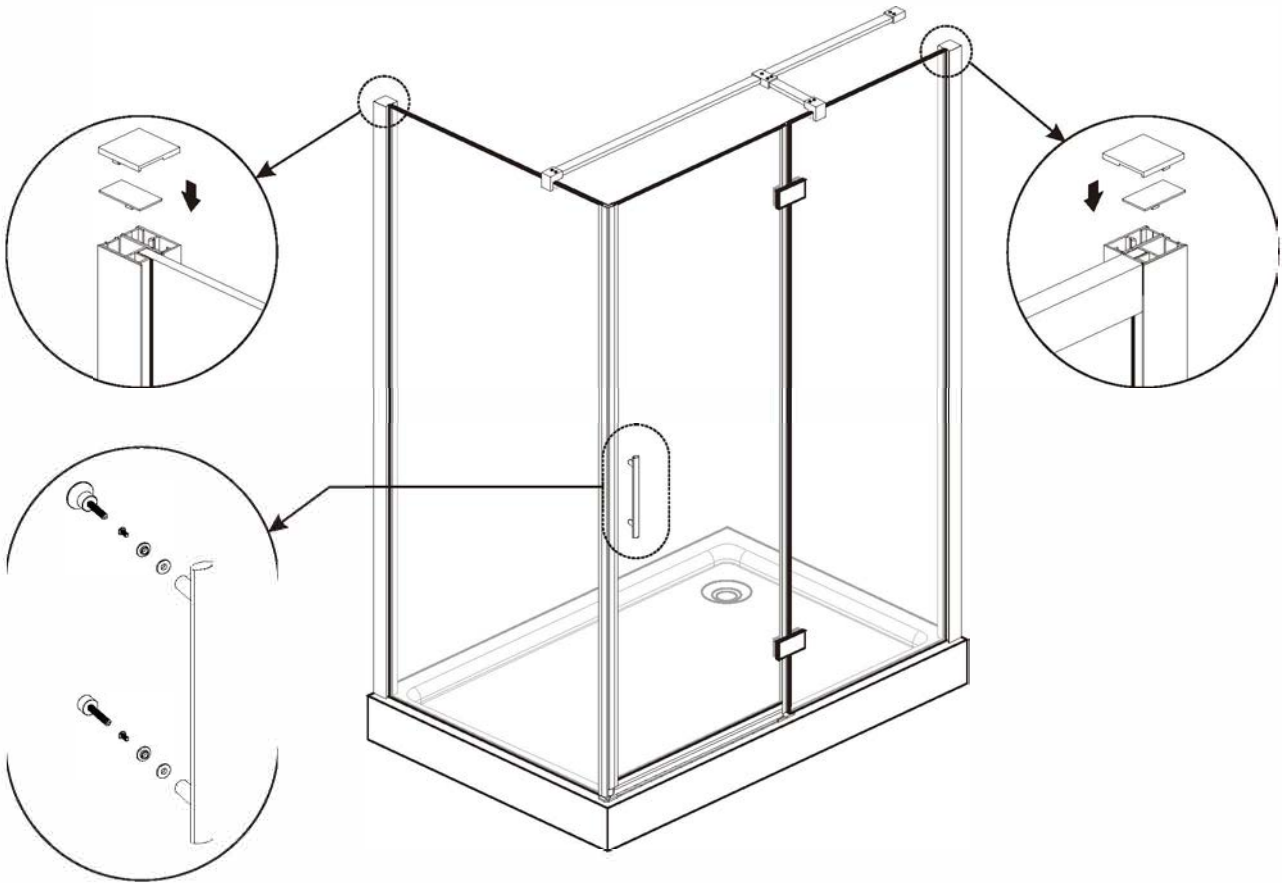
STEP 11



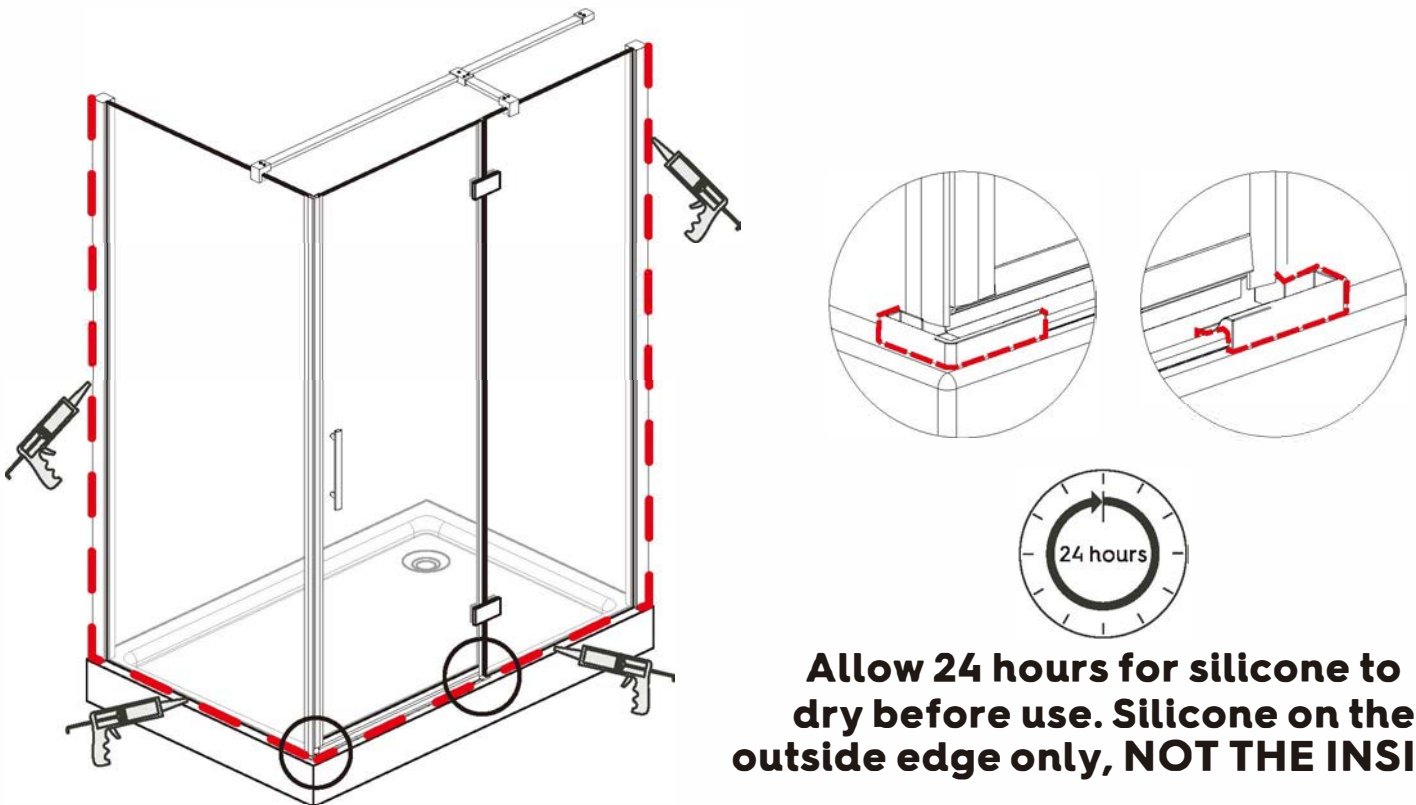
STEP 12



STEP 13



STEP 14



Allow 24 hours for silicone to dry before use. Silicone on the outside edge only, NOT THE INSIDE

Aftercare instructions

Regularly clean your shower product with warm soapy water to prevent lime scale build up. **DO NOT** use abrasive cleaning fluids or materials, or strong chemical cleaners as this will damage the product surface.