

READ BEFORE STARTING INSTALLATION

Maintenance Procedure please follow this when changing batteries:

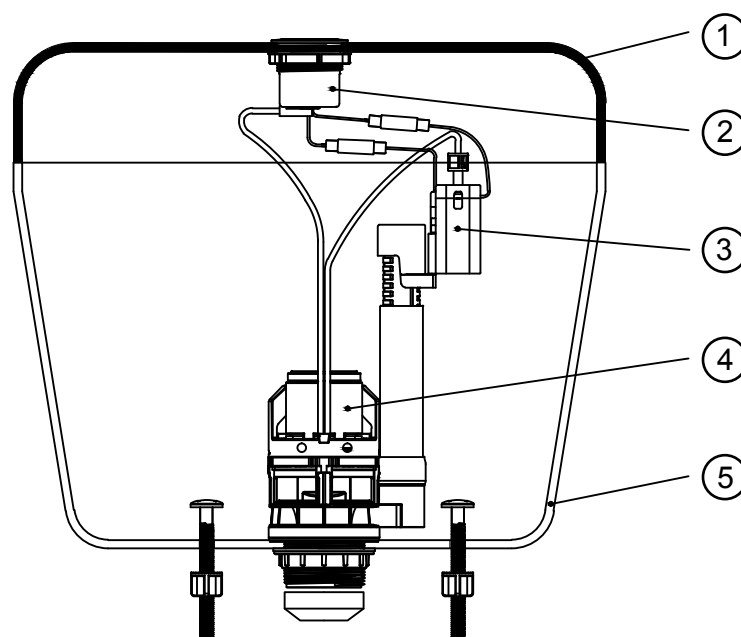
- Isolate water supply.
- Flush toilet by pressing and holding manual button.
- Lift cistern lid carefully as not to pull cable ect.
- Disconnect tube and wire plugs.
- Using a sponge to soak up excess water in cistern.

Component list:

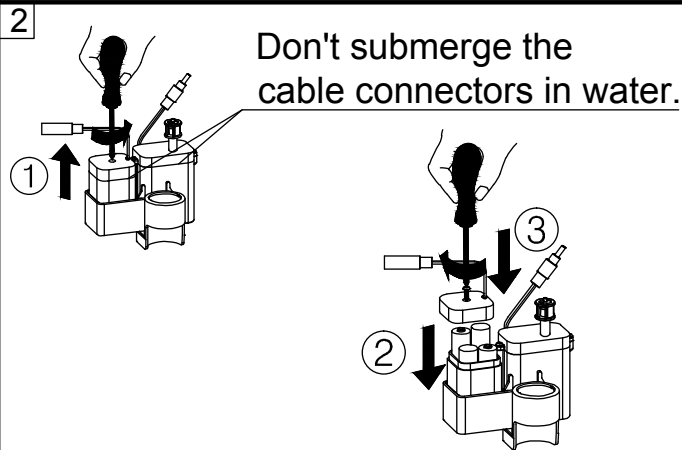
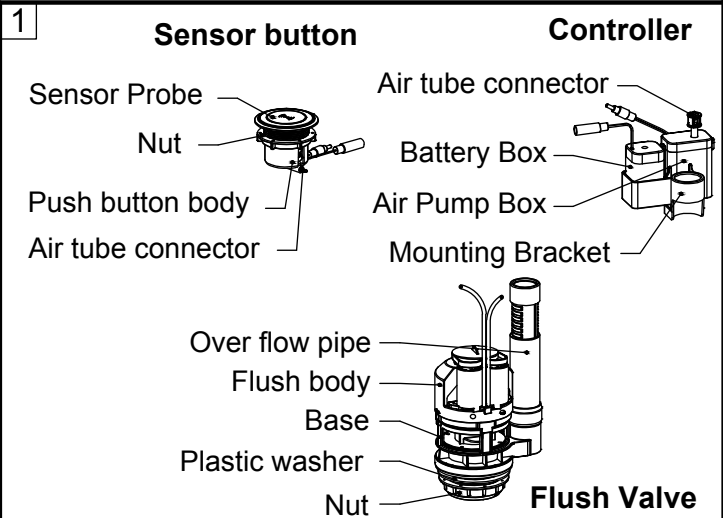
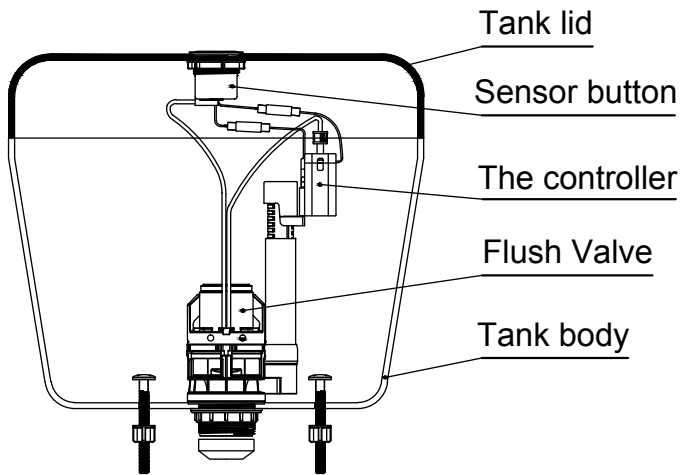
- ① Tank lid
- ② Sensor button
- ③ The controller
- ④ Flush Valve
- ⑤ Tank body

Trouble shooting:

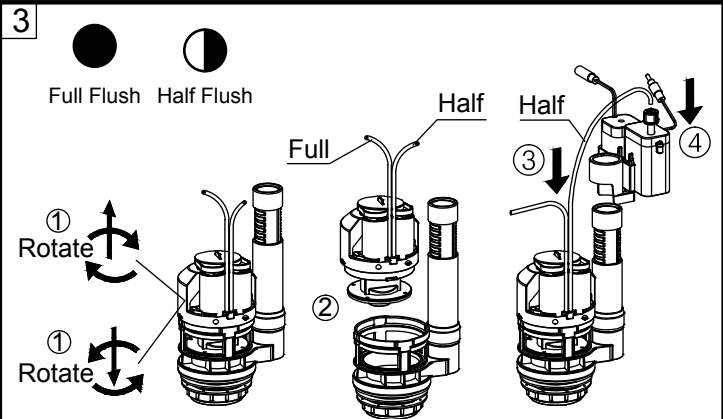
- Avoid additives within the cistern such as "Bloo Block".
- Avoid accidental submergence of unseathed wires.
- If motor housing and battery box get wet remove wires, remove from cistern, allow to dry for 48 hours and reconnect.
- Avoid unseathed wires being submerged, if this happens remove from cistern allow to dry for 48 hours.



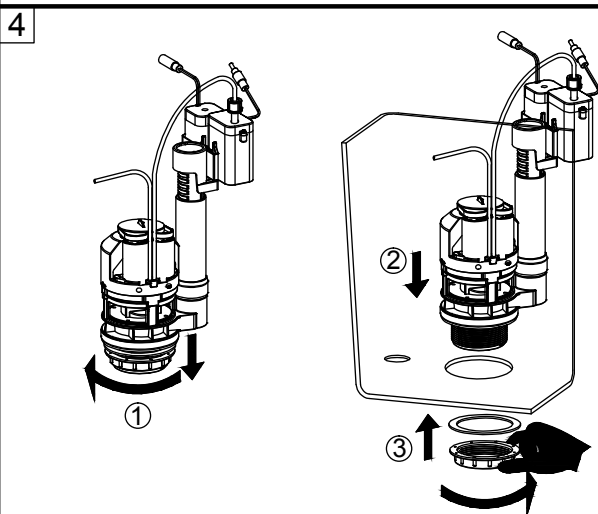
Installation Instruction-Dual flush



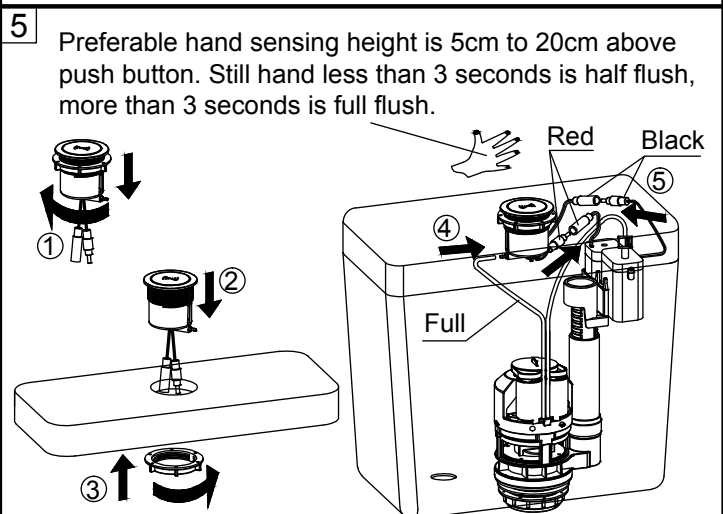
- 1:** Remove the screws on the battery box, take off the lid. As picture **2** :Put 4*AA alkaline batteries in the box as indicated within box. Pictured in **3** After batteries are in place, lock the battery box by screwing the same screw removed back into same position.



- Turn off main water connection and drain the cistern. As shown above, rotate the flush valve body **1** 180 degree and take it out from the base. Assemble the sensor Controller on the overflow pipe of the flush valve, Insert half flush pipe to the top of controller (half flush logo on flush valve body). Do not kink or cross.



- 1:** Swing the gasket out from the flush valve tube.
2: Install flush valve into the tank body hole and adjust it to avoid crashing with tank body. **3:** Lock flush valve from the bottom of tank with gasket. Attention: Assure the gasket is appropriately tight. Do not tighten too much.



- Preferable hand sensing height is 5cm to 20cm above push button. Still hand less than 3 seconds is half flush, more than 3 seconds is full flush.
- Connect full flush pipe of flush valve to the bottom hole of sensor button; (check full flush logo on flush valve body) Connect the red wire from sensor button to controller hole red marked, and connect black wire from controller to the sensor button hole black marked as above.