



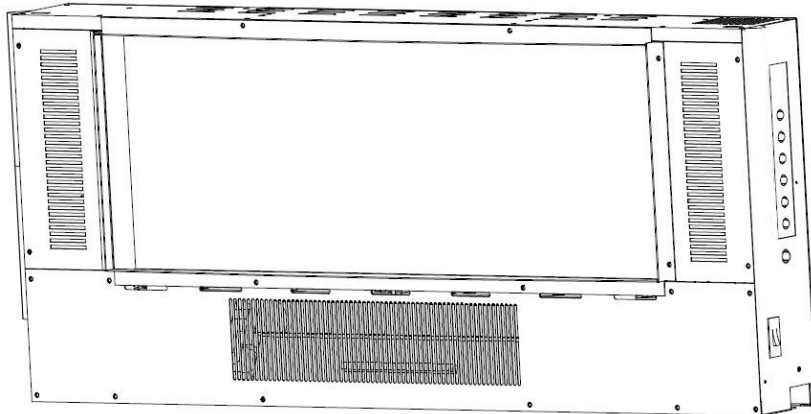
CELSI

...the future of fire

HOME OWNERS INSTRUCTIONS & OPERATING MANUAL

FLAMONIK ENCHANT & RAPTURE ELECTRIC FIRE

Model No.: B-160940 & B-160940-1 & B-160950
Article No.: MH36BLC/P & MH36MR & MH27BLC/P



Packing Check list

Package 1	1 off	Electric fire
	1 off	Remote control handset and battery
	1 off	Instructions manual and fixing kit
	1 off	Coal fuel bed or crystal beads (depending on model)
	1 off	Fascia

IMPORTANT

This appliance can be used by children aged from 8 years and above and persons with reduced physical, sensory or mental capabilities or lack of experience and knowledge if they have been given supervision or instruction concerning use of the appliance in a safe way and understand the hazards involved! Children shall not play with the appliance!

Cleaning and user maintenance shall not be made by children without supervision.

Children of less than 3 years should be kept away unless continuously supervised.

Children aged from 3 years and less than 8 years shall only switch on/off the appliance provided that it has been placed or installed in its intended normal operation position and they have been given supervision or instruction concerning use of the appliance in a safe way and understand the hazards involved.

Children aged from 3 years and less than 8 years shall not plug in, regulate and clean the appliance or perform user maintenance.

IMPORTANT INSTRUCTIONS

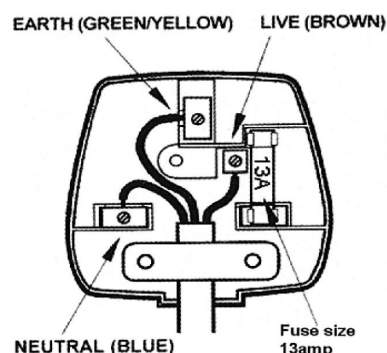
PLEASE READ THE INSTRUCTIONS CAREFULLY BEFORE INSTALLATION AND/OR USE OF THIS ELECTRIC FIRE AND RETAIN FOR FUTURE REFERENCE.

WHEN USING ELECTRICAL APPLIANCE, BASIC PRECAUTIONS SHOULD ALWAYS BE FOLLOWED TO REDUCE THE RISK OF FIRE, ELECTRIC SHOCK AND INJURY TO PERSONS, INCLUDING THE FOLLOWING IMPORTANT SAFETY ADVICE.

READ ALL INSTRUCTIONS BEFORE USING THIS APPLIANCE.

Regarding installation of the appliance;

- This appliance is supplied with a rewirable plug fitted with a 13A fuse. Should the fuse or plug need replacing, and you are competent to do so, it must be replaced with a 13A fuse and the plug must be a 13amp BS1363A approved fitted with a 13A fuse.
- Connect this appliance to single-phase AC supply of the voltage specified on the rating plate.
- This heater must be earthed. If in any doubt consult a suitable competent person.
- Ensure that the plug socket-outlet connection for this appliance is accessible. It **MUST** be readily accessible for easy electrical isolation in the event of servicing and replacing components etc.
- This appliance **MUST NOT** be located immediately below an electrical socket-outlet.
- Avoid the use of an extension cord as this may overheat and cause a risk of fire.
- This appliance is fitted with an automatic thermal cut out to reduce the risk of damage in the event of abnormal operation e.g. when covered. If the heater stops operating whilst the flame effect continues normally this indicates that the cut out is in operation. If this occurs disconnect the power supply at the plug socket-outlet and ensure that any obstructions to the fan heater outlet or fan blades etc. are removed. The heater will automatically reset when cool enough. The thermal cut out **WILL NOT RESET** unless the obstruction is removed and the appliance cools. If the heater is still not operating after 10 minutes disconnect the appliance and seek expert advice.
- If the supply cord is damaged it must be replaced by the manufacturer, its service agent or a similarly qualified person in order to avoid a hazard. The cable used **MUST** be capable of handling 2.5kW of power at 240V and **MUST** contain an earth wire.
- To completely shut this appliance off turn all the controls to OFF and remove the plug from the socket-outlet.
- Use the heater in a well-ventilated area.



Regarding persons operating the appliance;

- This appliance is not intended for use by persons (including children) with reduced physical, sensory or learning disabilities, or lack of experience and knowledge, unless given supervision or instruction concerning use of the appliance by a person responsible for their safety.
- Children should be supervised at all times to ensure that they do not play with the appliance.
- Extreme caution is necessary when any heater is used by or near children, disabled or elderly persons and whenever the heater is left operating unattended.

IMPORTANT INSTRUCTIONS

DO NOT cover the heater. The meaning of figure  is "WARNING! DO NOT COVER". This is to avoid over-heating of the product.

DO NOT leave the heater unattended while it is in use. Always turn the appliance to the OFF position and unplug it from the electrical outlet when not in use.

DO NOT operate this appliance with a damaged cord or plug, or after the appliance malfunctions, has been dropped or damaged in any way.

DO NOT use this appliance with a programmable timer or any other device that switches the appliance on and off automatically. In order to avoid a hazard due to inadvertent resetting of the thermal cut out., this appliance must not be supplied through an external switching device, such as a timer, or connected to a circuit that is regularly switched on and off by an utility.

DO NOT use this appliance as a freestanding appliance. It must always be fixed to a wall, fireplace or floor etc.

DO NOT insert or allow objects to enter any ventilation or exhaust openings on the appliance. To prevent a possible fire do not block air intakes or exhaust openings in any manner.

DO NOT use this appliance on soft surfaces, such as beds, where openings may become blocked. Use the appliance on flat, dry surfaces only.

DO NOT place this appliance near flammable materials, surfaces or substances, as there may be a risk of fire. Keep flammable materials, surfaces or substances at least 1 metre from the front of the product and keep them away from the sides and rear.

DO NOT use this appliance in any areas where petrol, paint or other flammable liquids are stored e.g. a garage or a workshop as the appliance contains components capable of producing a spark.

DO NOT use this appliance in the immediate surroundings of a bath, shower or swimming pool. Make sure it cannot fall into water. Never touch the appliance with wet hands.

DO NOT let bare skin touch any hot surfaces to avoid burns and personal injury. This heater is hot when in use.

DO NOT use outdoors.

CAUTION- Some parts of this product can become very hot and cause burns. Particular attention has to be given where children and vulnerable people are present.

This appliance is for household use only.

This heater is not equipped with a device to control the room temperature. Do not use this heater in small rooms when they are occupied by persons not capable of leaving the room on their own, unless constant supervision is provided.

KEEP THESE INSTRUCTIONS IN A SAFE PLACE.

INSTALLATION PREPARATION

CAUTION: This carton includes a GLASS panel! Always use extreme caution when handling glass. Failure to do so could result in personal injury or property damage.

PRODUCT SPECIFICATION

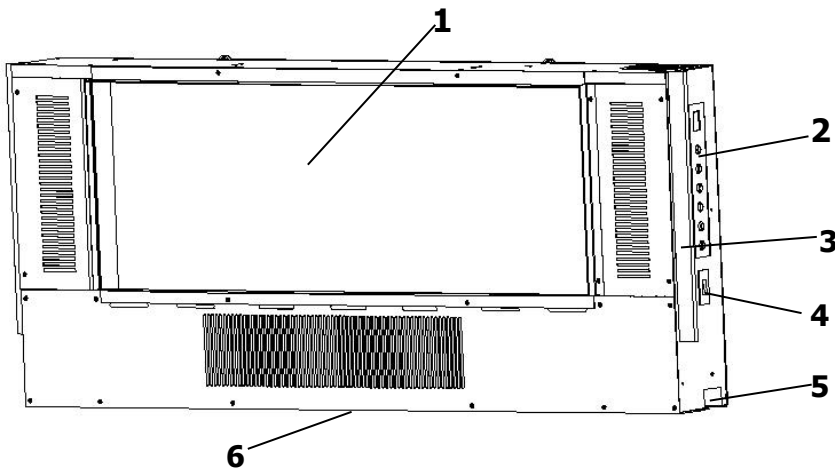
Voltage.....230 V AC, 50Hz
Total Watts.....1.8kW (2X900 Watts)

Fire Dimensions

Rapture 27"
(Heater only).....H 357 mm x W 625 mm x D 102mm
(With fascia fitted).....H 441 mm x W 686 mm x D 110mm

Enchant 36"
(Heater only).....H 357 mm x W 855 mm x D 120mm (102mm for mirror trim version)
(With fascia fitted).....H 441 mm x W 916 mm x D 126mm (110mm for mirror trim version)

STRUCTURE AND PARTS



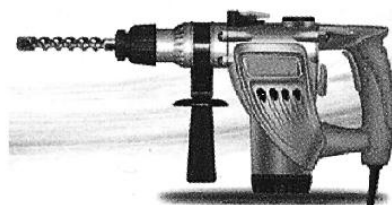
- 1. Screen
- 2. Manual Keypad
- 3. Back Light LED
- 4. ON/OFF Switch
- 5. Power Inlet
- 6. Air Outlet

TOOLS REQUIRED

Magnetic Phillips Screw Driver



Rotary Hammer



INSTALLATION PREPARATION



WARNING! DO NOT USE THIS APPLIANCE IF ANY PART HAS BEEN UNDER WATER. IMMEDIATELY CALL A QUALIFIED SERVICE TECHNICIAN TO INSPECT AND TO REPLACE ANY PART OF THE ELECTRICAL SYSTEM IF NECESSARY.

- Open the packaging carefully and remove the foam.
- Remove and discard the plastic bag.
- Be responsible when handling the packing materials.
- Keep the original packaging for future transportation and/or storage.
- Check all accessories are removed from the packaging before storing it away for future use.

NOTE: KEEP PLASTIC WRAPPING AWAY FROM CHILDREN!

LOCATING YOUR ELECTRIC FIREPLACE/HEATER

This appliance may be installed virtually anywhere in your home. However, when choosing a location please ensure that the general instructions are followed. For best results, install out of direct sunlight.

Make sure that the plug or fused spur is accessible after the electric fire is fitted.

Before connecting the appliance make sure that its rating corresponds to that of the mains supply and the fuse is the correct rating.

The appliance should be located close to a suitable mains socket-outlet to enable connection. The electrical socket-outlet must be easily accessible to allow disconnection.

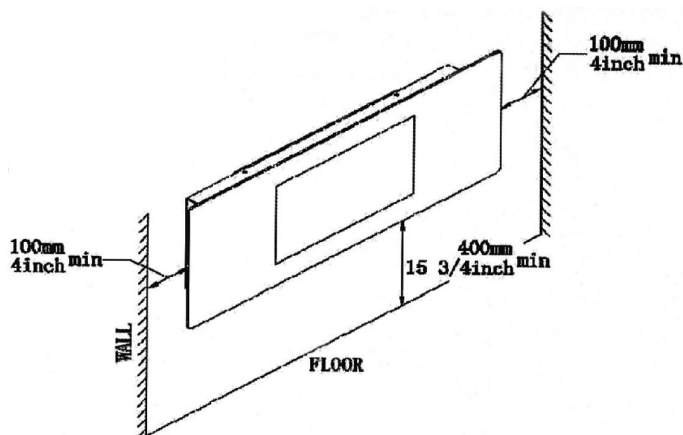
NOTE: the appliance is fitted with an inlet plug and socket underneath the right side of the casing. Always make sure that it is fully pushed in and secure before operating the fire. Damage could occur if it is not fitted properly.



WARNING! KEEP DRAPERY AND OTHER FURNISHINGS AT LEAST 3'/0.9M FROM THE FRONT AND SIDES OF THE ELECTRIC HEATER

CLEARANCE TO COMBUSTIBLES

Sides.....	4in. (100mm)
Floor.....	15 3/4 in. (400mm)
Top.....	0 in. (0mm)
Back.....	0 in. (0mm)



INSTALLATION INSTRUCTIONS

Step 1: Using a screwdriver loosen the two screws that secure the wall mounting bracket to the top of the appliance and remove the wall mounting bracket as shown below (Figure 1).

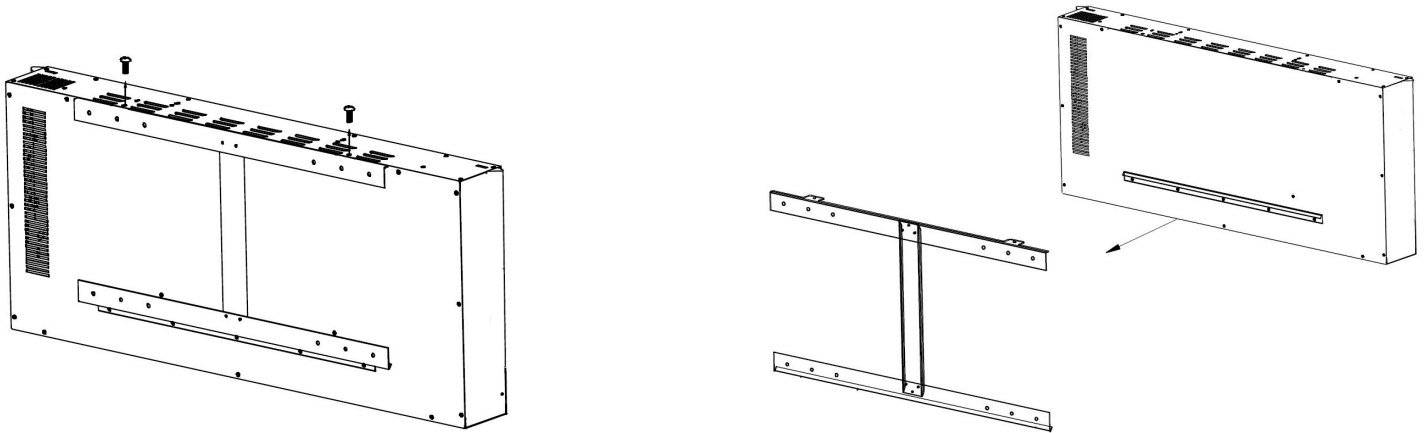


Figure 1

Step 2: Choose a solid and plain wall. Position the mounting bracket where the appliance is to be installed on the wall and ensure that the bracket is level. Using a pen mark the 4 holes through the 4 holes on the mounting bracket as shown below (Figure 2)

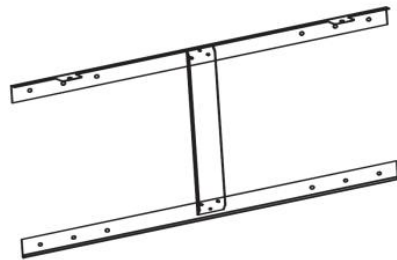


Figure 2

Step 3: Take away the mounting bracket and then drill four 8mm diameter holes on the wall. Insert plastic wall plug into the drilled holes (Figure 3). If installing the appliance on a solid wood wall there is no need to drill the holes in the wood and no need for the plastic wall plug.



Figure 3

INSTALLATION INSTRUCTIONS

Step 4: Fix the mounting bracket using the four screws supplied (Figure 4).

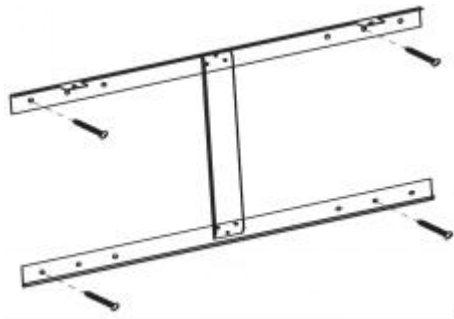


Figure 4

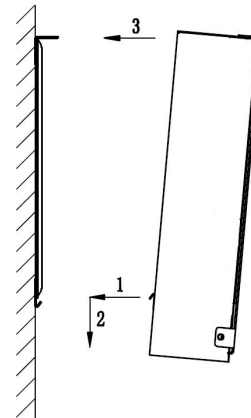


Figure 5

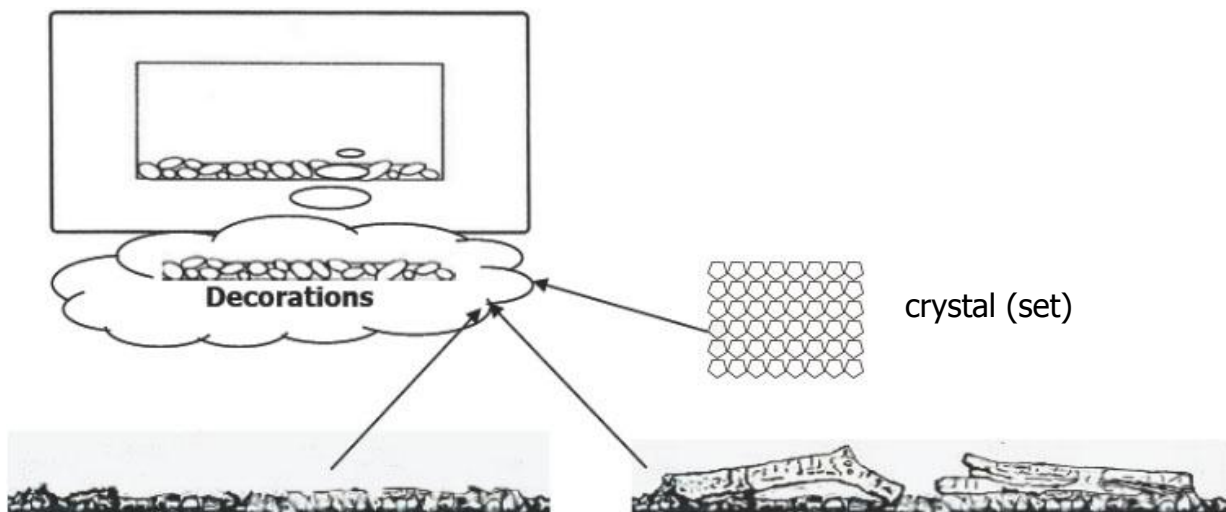
Step 5: Hang the appliance on the hooks at the bottom of the bracket and push the top of the appliance into the mounting bracket. Now fix the appliance to the mounting bracket by refitting the two M4×8 screws which were removed in step 1(Figure 5).

Step 6: The Electric fire is supplied with 2 fuel bed options. Firstly remove the 2 cardboard fitments which hold the fitted fuel bed in place. Depending on the product purchased there will be a second fuel bed option included.

The Enchant has the option of a log or Coal effect Fuel bed.

The Rapture has the option of a Coal effect fuel bed or loose crystal beads.

Place the desired fuel bed effect into position along the bottom ledge of the screen.



Coal effect fuel bed (set)

Log (set)

INSTALLATION INSTRUCTIONS

Step 7: Fit the appliance front fascia by locating the two tabs into the slots on top of the electric fire as shown below . (Figure 6)

Secure the fascia in place at both sides using the two supplied screws.

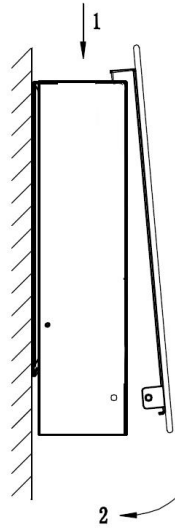


Figure 6

NOTE: Removal of the electric fire is carried out by following the previous steps in reverse order.

OPERATING INSTRUCTIONS



CAUTION! THE UNIT'S POWER CORD MUST BE CONNECTED TO A PROPERLY EARTHED AND PROTECTED 230V OUTLET. ALWAYS USE EARTH FAULT PROTECTION WHERE REQUIRED BY THE ELECTRICAL CODE.

This appliance can be operated by both a remote control and a manual keypad. Once the unit has been properly connected to an earthed electrical socket-outlet ensure the manual On/Off switch, located on the right hand side of the appliance, is in the 'ON' position.

MAUNAL ON/OFF SWITCH

This switch turns the appliance on/off. The manual on/off switch must be in the 'ON' position when using both remote and manual operation.

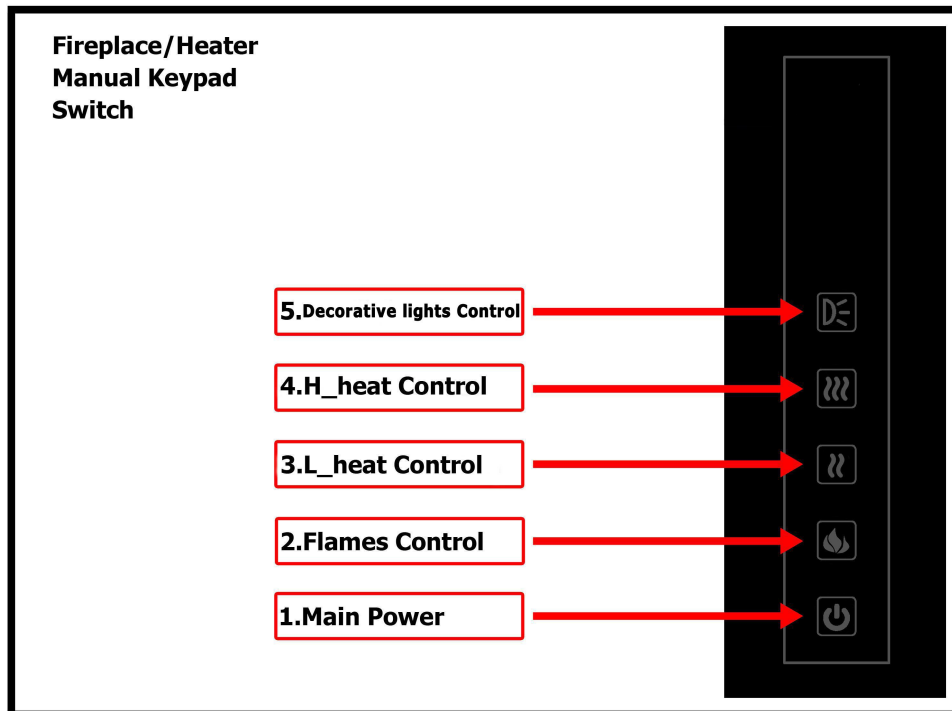


WARNING! DO NOT OPERATE THE UNIT IF IT IS DAMAGED OR HAS MALFUNCTIONED. IF YOU SUSPECT THE UNIT IS DAMAGED PLEASE CALL A QUALIFIED SERVICE TECHNICIAN TO INSPECT AND TO REPLACE ANY PART OF THE ELECTRICAL SYSTEM IF NECESSARY.

OPERATING INSTRUCTIONS

• The Fireplace/Heater Unit

On the top right side plate of the fireplace/heater unit is the control panel. This panel contains the buttons to properly operate the fireplace/heater unit. Refer to below figure for placement of the control buttons.



The upper segment of the control panel, (1), is the **Main Power** button. As the name infers, the Main Power button controls the overall power to the fireplace/heater unit. Pressing the button once turns power on to the entire unit, and pressing the button again will turn power off to the entire unit. If you find that none of the other buttons appear to work, check to make sure that Main Power is turned on to the unit.

The next segment, (2) is the **Flames Control** button. Like the Main Power button it controls the flames and fuel bed lights of the electric heater unit. Pressing the button once turns the flames on and the fuelbed lights up orange, a second press of the button will keep the flames on and change the fuelbed to blue. Further button presses will cycle through the options listed below.

BUTTON PRESS	Flame State	Fuel bed Colour
1 st press	ON	Orange
2 nd press	ON	Blue
3 rd press	ON	Orange & Blue
4 th press	ON	Automatically Display
5 th press	OFF	OFF

The next segment, (3), **L_heat Control**, is a low heat button for the heater. Pressing the button once ,the low heat function is on, and pressing the button twice ,the low heat function is off.

The next segment, (4), **H_heat Control** , is a high heat button for the heater. Pressing the button once ,the high heat function is on, and pressing the button twice ,the high heat function is off.

WALL-MOUNTED ELECTRIC FIREPLACE/HEATER

Lock or unlock heat function mode:

When the Main Power button is on, pressing and holding this H_heat Control button 10 seconds to enter heating function locked mode, the fuel bed lights will flicker 6 times. Then every time you press the button, there are 6 times flash only the fuel bed lights but no heating function in this mode. Anew pressing and holding this H_heat Control button 10 seconds, this mode will be unlocked after 6 times flash. When you press the L_heat button or the H_heat button, The fuel bed lights will flash one time to indicate heat function is on or off.

The last segment, (5), is the **Decorative lights Control** button. Like the Flames Control button, Pressing the button once, the sidelights display orange, and pressing the button twice, it will show you the blue sidelights. You can control the sidelights colour as the following:

BUTTON PRESS	Sidelights Colour
1 st press	Orange
2 nd press	Blue
3 rd press	Magenta
4 th press	Automatically Display
5 th press	OFF

The automatically mode will show you: the orange sidelights is on and running 10 seconds, then off; then the blue sidelights is on and running 10 seconds, then off; then the white sidelights are on and running 10 seconds, then off; and then the orange sidelights is on and running 10 seconds, then off.... This mode will be circulating running.

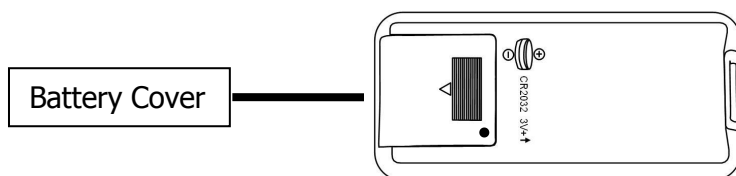
NOTE: If this product experiences exceptionally high temperature, it may automatically stop heating. If this occurs the product should be unplugged or isolated from the main supply and allowed to cool before the power is resupplied.

• The Fireplace/Heater Remote Control

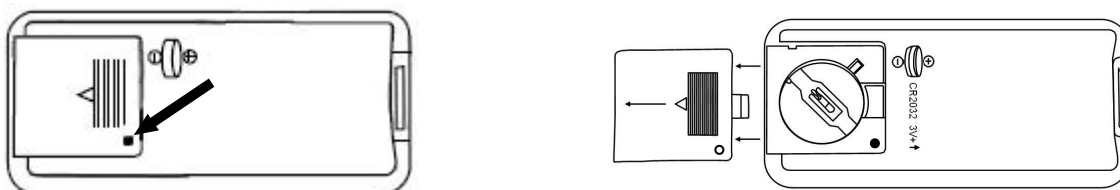
A great feature of the BFM Fireplace/Heater unit is the small remote control. This remote combines all the functions of the front panel controls of the fireplace/heater with the convenience of not having to leave the comfort of your seat to change the settings of the fireplace/heater.

The first thing to do with the remote control is to install the battery. The battery is supplied with the remote control. Replacement battery can be purchased at any electronics store. The part number for the battery is **CR2032**

1. Turn the remote control over, and locate the battery cover.

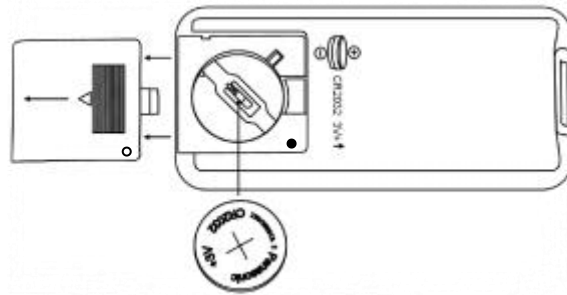


2. Remove the battery cover by pressing the small convex hull and sliding the cover towards the bottom end of the remote control.

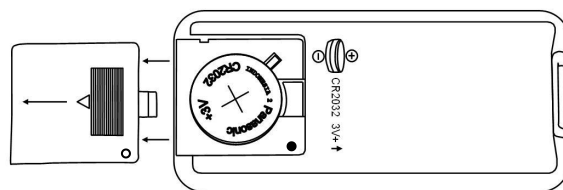


WALL-MOUNTED ELECTRIC FIREPLACE/HEATER

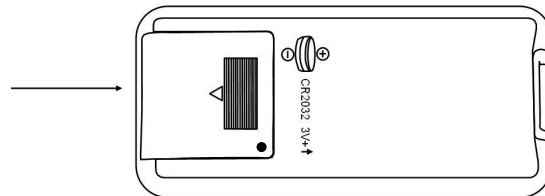
3. The battery has two sides, one with a button feature, and the other is flat.



4. Insert the battery the button side into the remote control, and make sure the battery is firmly seated.



5. Reinstall the battery cover, making sure it clicks into position.



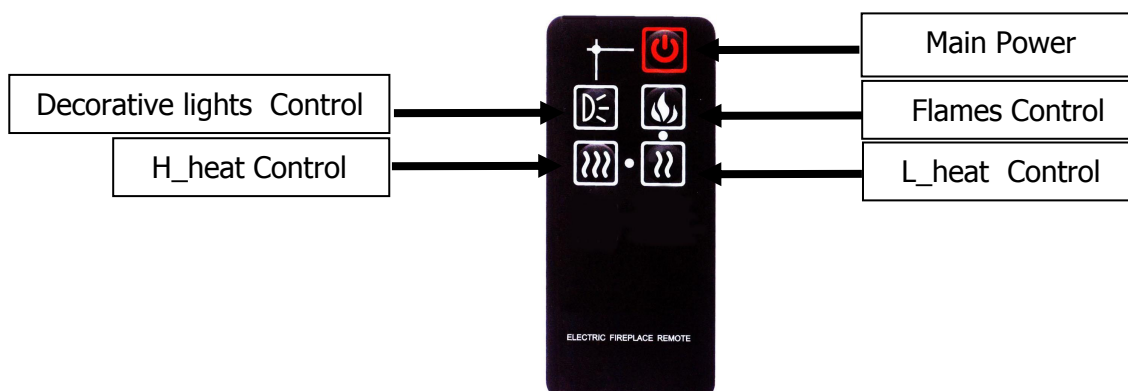
6. Turn the remote over and aim it towards the fireplace/heater unit.

7. Press the power button on the upper left, and see if the flames on the fireplace/heater turn on or off.

8. If nothing appears to happen, check to make sure the battery is installed correctly, and try again.

• Remote Control Button Functions

The remote control mimics the buttons on the front panel of the fireplace/heater. The remote control does not have a display function. The buttons on the remote control work as follows:



WALL-MOUNTED ELECTRIC FIREPLACE/HEATER

These remote control buttons work exactly the same as the buttons on the front panel of the fireplace/heater. See the FIREPLACE/HEATER section above to review the side plate panel button functions, and familiarize yourself with the remote control.

NOTE: Whatever the heat function is on or off, when you press the low heat button or the high heat button, the uplights will flash one time at 0.3 second interval.

NOTE: Ensure the batteries are installed properly in the remote control handset.

NOTE: The effective range of the remote control is up to 4 meters (13 feet).

NOTE: The remote control cannot be used to lock or unlock the heat function mode.

MAINTENANCE INSTRUCTIONS

- Always remove the plug from the socket-outlet and allow the heater to cool down before cleaning it.
- Wipe the exterior surface of the appliance occasionally with a soft damp cloth (not dripping wet) and dry the exterior surface before operating the heater.



WARNING!

Do not immerse the heater in water.

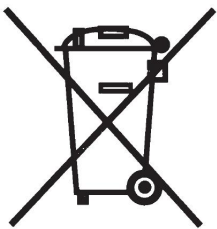
Do not use any cleaning chemicals such as detergents and abrasives.

Do not allow the interior to get wet as this could create a hazard.

- Light accumulated dust may be removed from the appliance with a soft dry cloth.
- To store away the appliance put it back in to its original packaging and store it in a clean dry place.
- In the event of malfunction do not try to repair the heater yourself as this may result in a fire hazard or electric shock.

NOTE: The blower motor and flame motor are pre-lubricated for a durable period of time and need no further lubrication or maintenance. As the dust particles will accumulate on/in the fireplace, so periodic cleaning/ vacuuming of the fireplace is recommended.

ENVIRONMENT



Meaning of crossed –out wheeled bin

Do not dispose of electrical appliances as unsorted municipal waste.

Use separate collection facilities. Contact your local government for information regarding the collection services available in your local area. If electrical appliances are disposed of in landfills or dumps hazardous substances can leak into the groundwater and get into the food chain, thus damaging your health and well being. When replacing old appliances with new ones the retailer is legally obligated to take away you old appliance for disposal free of charge.

QUALITY GUARANTEE

BFM EUROPE LTD
GORDON BANKS DRIVE, TRENTHAM LAKES STOKE-ON-TRENT ST4 4TJ

Technical Queries: 01782 339039

Service Fault Enquiries: 01782 339008

Please note there are no user replaceable parts on this appliance.

Issue 2

Check out our full range of Heating Products

Central Heating Controls

Honeywell Heating Controls

Danfoss Heating Controls

Radiator Valves

Fernox

Sentinel

Magnaclean

Warmup underfloor heating

Water Heaters

Hand Dryers

plumbworld
Big brands, small prices.