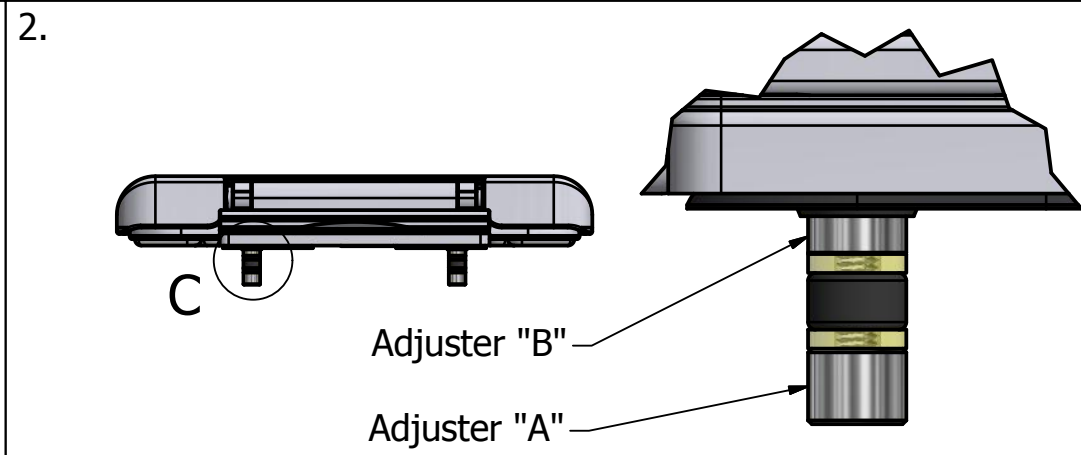
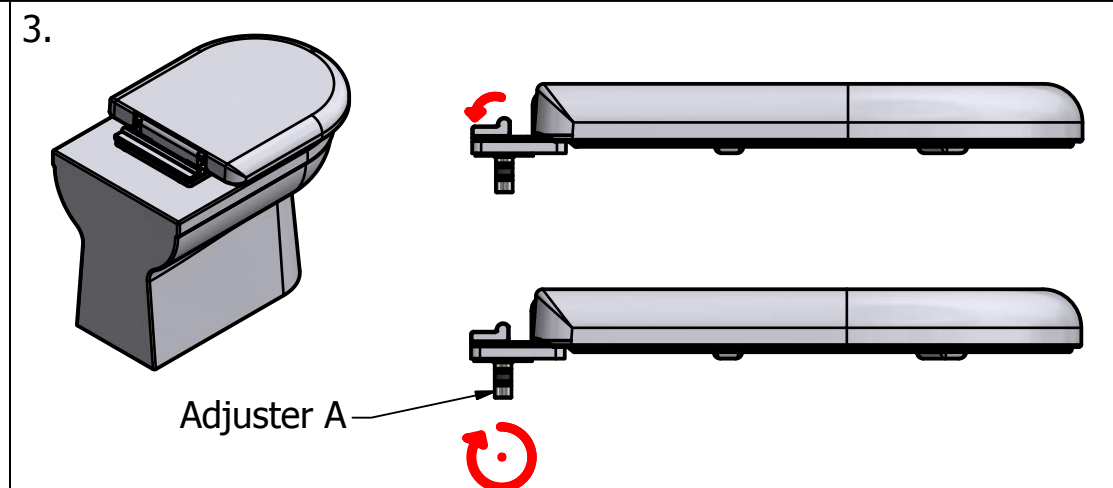


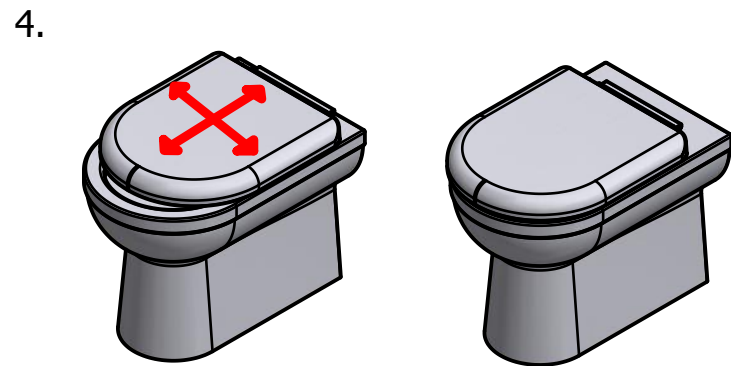
1. Remove seat from packaging and locate 4x small self tapping screws. Put these safely to one side.



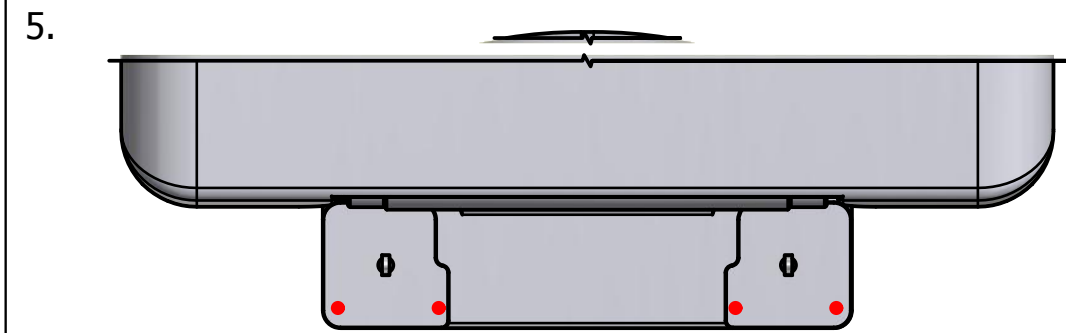
2. Familiarise yourself with the adjustment points. Adjuster "A" is for hole size changes. Adjuster "B" is for hole depth changes.



3. Open the handle and locate the two pins into the holes in the toilet pan. Close the handle, it should take a small amount of pressure to close the handle. If the handle is too hard to close, STOP, remove the seat and adjust the adjuster counter-clockwise half a turn then refit. If the handle is really easy and does not clamp the seat to the pan, remove the seat and adjust the adjuster clockwise half a turn and refit.



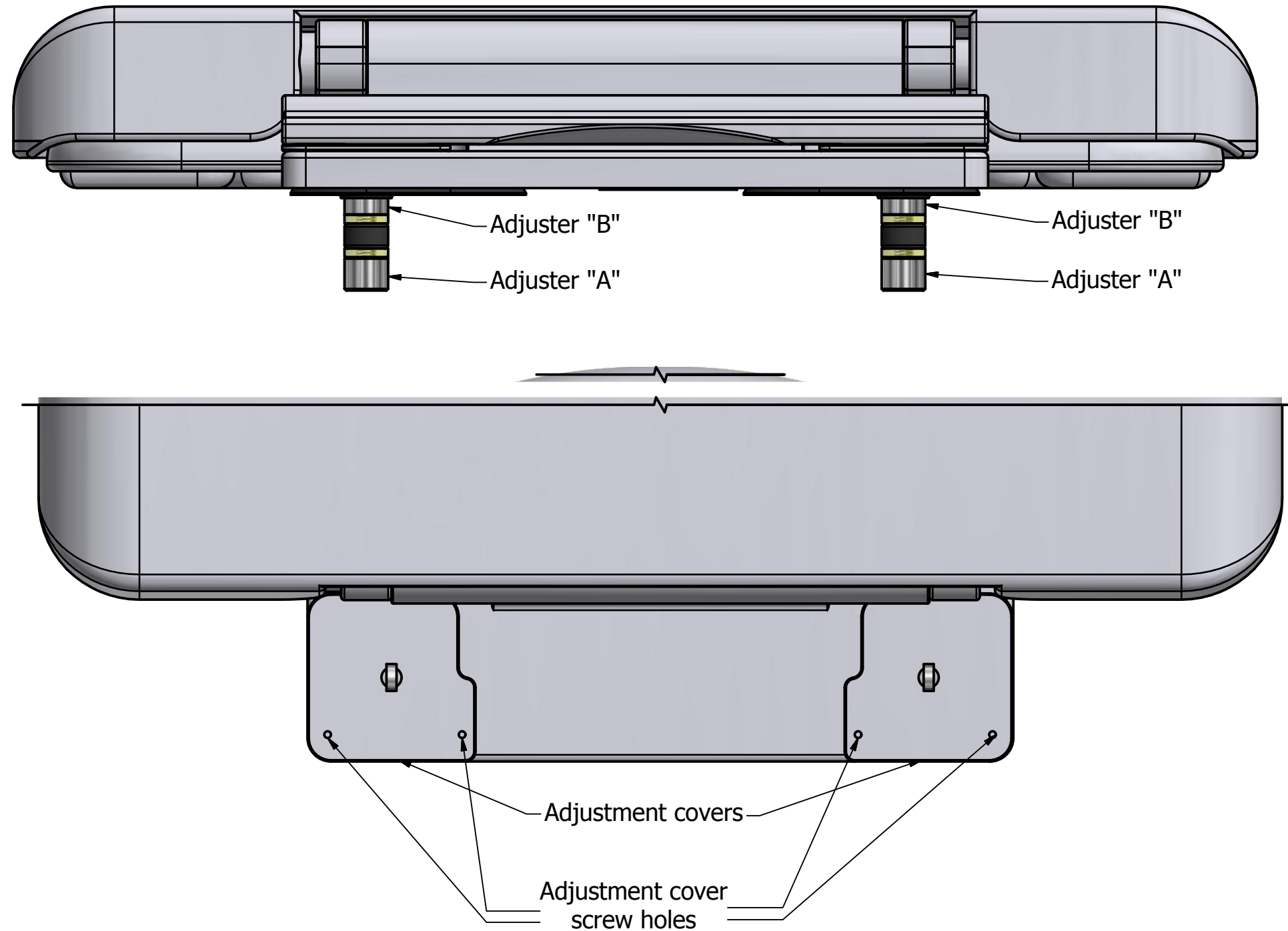
4. While the lid is clamped down, slide it to your preferred position on the toilet pan. Hold the base of the hinge while opening the handle to reveal the adjuster plates.



5. Straighten up the adjustment covers and screw in **ONE** Screw per adjuster while holding the seat in the correct position. Check alignment by locking down the handle, once happy with the position, add the second screw to each cover.

Once fitted if there are any problems, consult the troubleshooting sheet.

Rapid fix troubleshooting	
Problem:	Solutions:
Handle is too tight to push down	Turn Adjuster "A" Counter clockwise half a turn at a time
Handle is too easy to push down	Turn Adjuster "A" Clockwise half a turn at a time
Seat moving around when handle is down	Check fixing screws are securing adjustment cover to base
Seat hinge loose when handle is down and correctly adjusted to pressure	Look under pan, check 2-3mm of rubber is visible when handle is down To increase amount of rubber visible, turn adjuster "B" counter clockwise half a turn at a time To decrease amount of rubber visible, turn adjuster "B" clockwise half a turn at a time
Seat has become loose over time	Turn adjuster "A" clockwise half a turn at a time to compensate for any wear over time.



Check out our full range of Bathroom Suites

Bathroom Suites By Range

Cloakroom Suites

Toilets

Bathroom Sinks / Wash Basins

Bidets

Baths

Wide variety of toilets

Close Coupled Toilets

Wall Hung Toilets

Back To Wall Toilets

Furniture unit toilets

Huge Selection of Baths

Acrylic Baths

Steel Baths

Shower baths

Freestanding baths

Small baths

Corner baths

Whirlpool baths

Don't forget the important bathroom suite extras

Bath panels

Toilet seats

plumbworld
Big brands, small prices.