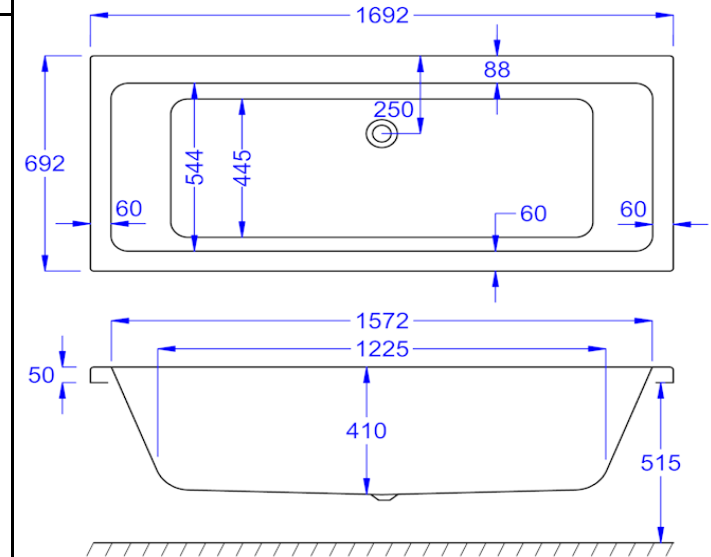


Quantum DE

1700 x 700



Technical Information



Bath Codes

Quantum DE 1700x700 Standard 02159
Quantum DE 1700x700 Carronite 02160

Screen Codes

CFS1 Curved Profile 02344
CFS1 Square Profile 02346

Panel Codes

L-Shape 1700x700x515 Panel 02299
Front 1700x515 Standard Panel 02320
Front 1700x515 Carronite Panel 02321
End 700x515 Standard Panel 02285
End 700x515 Carronite Panel 02271

Water Capacity

165 litres

Installation Kit

Standard - AK-01
Carronite - AK-01-C

Whirlpool Compatibility

Clenda System 1 & 4

Carron Bathrooms Limited

North Carron Works
Stenhouse Road
Falkirk, FK2 8UW

Email : info@carronbathrooms.com
Web : www.carronbathrooms.com
Tel : +44 (0)1324 638 407


THE NAME FOR BATHS