

VAC2 SNK C MT

VALUE Tap Range
Club Monobloc Sink Mixer
Chrome With Metal Heads



Features:

- Swivel Spout
- Metal fixing nut for added durability
- Supplied with metal handles

Product Certifications:



WRAS Cert. Number: 2105903
WRAS Expiry Date: 31/05/2026



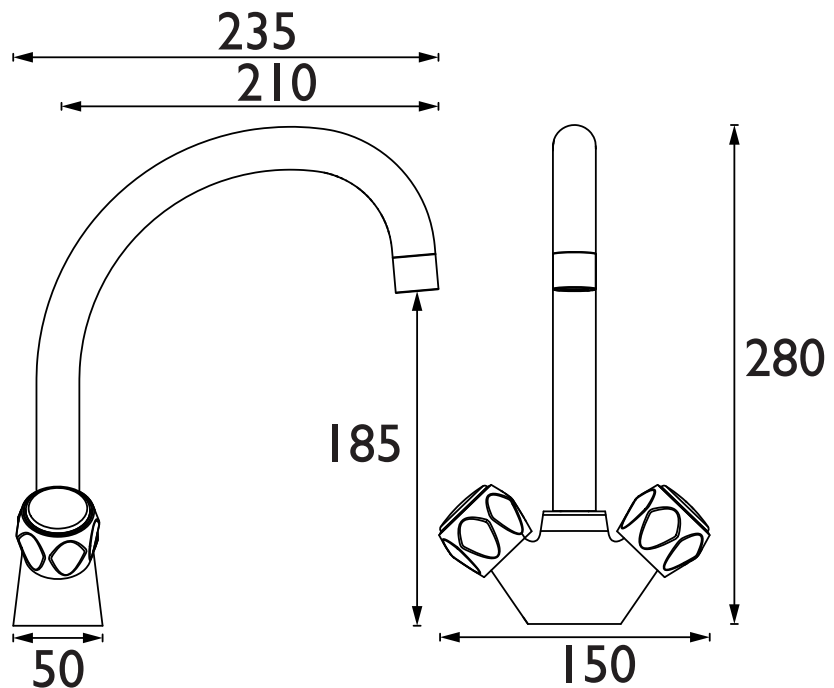
For more products, visit our website:
<http://www.bristan.com>



Specification

Product Type:	Kitchen Taps
Main Construction Material:	Brass
Mount Type:	Deck Mounted
Handle Type:	Club Handles
Connection Inlet:	15mm Compression
Connection Outlet:	Flow Straightener
Number of Tap Holes:	1
Valve/Cartridge Type:	1/2" Compression Valve
Plumbing System Requirements:	Suitable for all plumbing systems
Minimum Dynamic Pressure (bar):	0.2 bar
Maximum Dynamic Pressure (bar):	5.0 bar
Maximum Hot Water Temperature: °C	65
Maximum Static Pressure (bar):	10 bar
Flow Type:	Single Flow
Isolation Included:	No

Dimensions (measurements in mm)



Flow Rates (l/min)

System Pressure (bar)	0.2	0.5	1	2	3	5
Mixed (VAC2 SNK C MT)	12.1	21.6	31.5	45.2	55.6	71.2

TECHNICAL
DATA
SHEET



BRISTAN

D3