

TECHNICAL DATASHEET

TARGET

Monobloc Sink Mixer with Pull-Out Spray

Product Specification

Product Code:	TG SNK C
Finish:	Chrome
Product Type:	Contemporary
Construction:	Body is of brass construction and is designed to conform to BS EN 200
Valve Type:	35mm ceramic disc cartridge
Supply:	Suitable for high pressured plumbing systems only
Inlet Connections:	G½" female ended flexible tail pipes
Working Pressures:	Min 1.0bar, Max 8.0bar



Additional Information

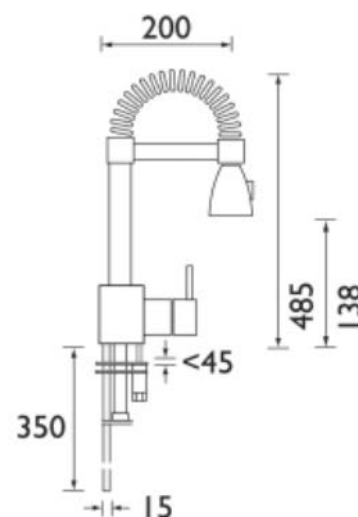
- Chrome plated to BS EN 248
- Supplied with 2 double check valves
- Supplied with an aerator type flow straightener.
- Compatible with the following flow limiters:

(which fit the end of the spout)

ECO BAS3.5

ECO BAS4.5

ECO BAS6



Flow Rates (litres per minute)

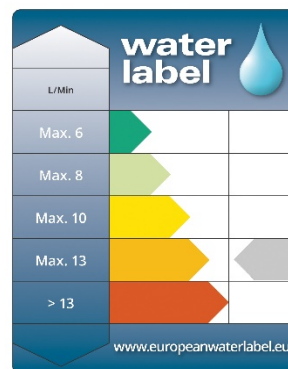
System Pressure	1.0bar	1.5bar	2bar	3bar	4bar	5bar
TG SNK C	6.1	7.9	8.8	10.8	12.5	14.0

Compliance / Approvals

WRAS: Manufactured to comply with WRAS

Technical Advice: For further information please call 0844 7016273 or email customer@bristan.com

Guarantee: 5 years covering manufacturing faults.



Bristan, Birch Coppice Business Park, Dordon, Tamworth, B78 1SG
Telephone: 0844 701 6274 Facsimile: 0844 701 6275
Web Site: www.bristan.com Email: enquire@bristan.com



The information contained on this page was correct at date of issue. Fitting dimensions are provided as a guide only. Some variation may occur due to manufacturing tolerances. Bristan pursues a policy of continuing improvement in design and performance of its products and so reserves the right to change specifications without prior notice.

Check out our full range of Bathroom Taps

Contemporary Bathroom Taps

Traditional Bathroom Taps

Waterfall Bathroom Taps

Basin Taps

Bath Taps

Bidet Taps

Luxury Mira Aspects Taps

Mira Honesty

Mira Evolve

Mira Precision

Mira Comfort

Mira Revive

Mira Fluency

Don't forget these amazing tap cleaning and care products

Cramer Tap Cleaner

Cramer Chrom Star Chrome Polish

plumbworld
Big brands, small prices.