

SPR EFSNK BLK

SPRUCE Tap Range Spruce Easyfit Mono Sink Mixer Black



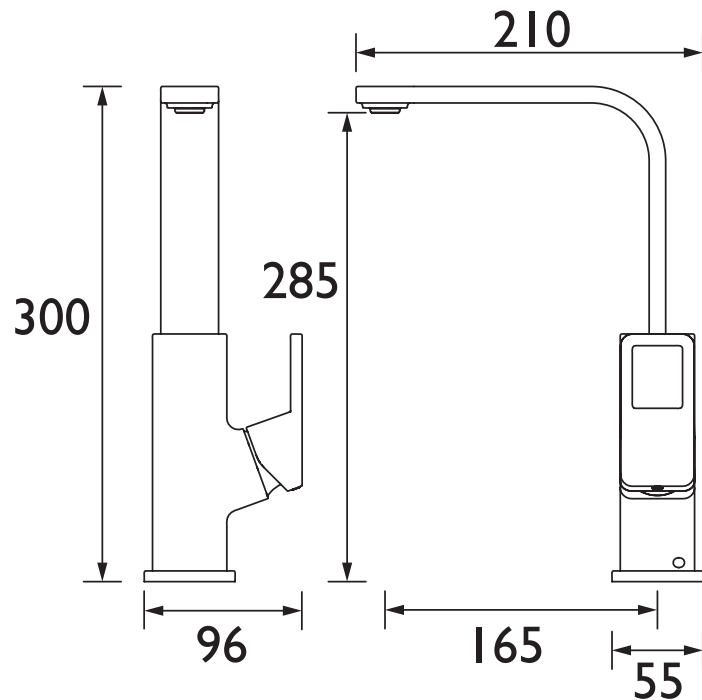
Specification

| | |
|--|---|
| Product Type: | Kitchen Taps |
| Main Construction Material: | Brass |
| Mount Type: | Deck |
| Handle Type: | Lever |
| Connection Inlet: | 1/2" BSP Flexible Tails with Isolation Valves |
| Connection Outlet: | Housed M22 8lpm Flow Limited Aerator |
| Number of Tap Holes: | 1 |
| Valve/Cartridge Type: | 35mm Eco-Click Cartridge |
| Plumbing System Requirements: | Suitable for all plumbing systems, ideally balanced |
| Minimum Dynamic Pressure (bar): | 0.3 bar |
| Maximum Dynamic Pressure (bar): | 5 bar |
| Maximum Hot Water Temperature °C: | 60°C |
| Maximum Static Pressure (bar): | 10 bar |
| Flow Type: | Single |
| Isolation Included: | Yes |

Features:

- Reduce energy usage with our Eco Start technology - the tap runs cold when the lever is in the central position and only activates hot water when needed, helping cut unnecessary boiler use
- Install your tap in minutes from above the sink, thanks to the innovative Top Fix Easyfit technology
- Easily repair, maintain or replace your kitchen tap using the two isolation valves that let you shut off the water supply at the base
- Supplied with everything you need for a hassle-free installation, including two Allen keys, isolation valves, Top Fix Easyfit base, and flexi tails
- Rinse and reach with ease using the convenient swivel spout

Dimensions (measurements in mm)



Product Certifications:



WRAS Certificate No: 240403010
WRAS Expiry Date: 30/04/2029



Flow Rates (l/min)

| System Pressure (bar) | 0.3 | 0.5 | 1 | 2 | 3 | 5 |
|-----------------------|-----|-----|-----|-----|---|-----|
| SPR EFSNK BLK (mixed) | 2.8 | 3.9 | 5.3 | 7.1 | 8 | 8.7 |

TECHNICAL DATA SHEET



BRISTAN

D5