

RD ROLL C

Accessories Round Toilet Roll Holder Brass Chrome Plated



Specification

Contemporary or Traditional:	Contemporary
Main Construction Material:	Brass; Stainless Steel
Connection Inlet:	N/A
Connection Outlet:	N/A
Product Weight (kg):	0.2
Adjustable Brackets:	N/A
What's in the Box?:	1x Toilet Roll Holder, 1x Grub Screw, 1x Fixing Plate, 3x Screws, 3x Wall Plugs, 1x Hex Key

Features:

- Built to last with a solid brass construction for strength and durability
- Bring lasting shine to your space with a versatile, hard-wearing chrome finish
- Built to last, backed by a lifetime parts and 1-year labour guarantee
- Find your perfect match with other finish options available
- Pair with coordinating taps and showers to complete the look

Product Certifications:

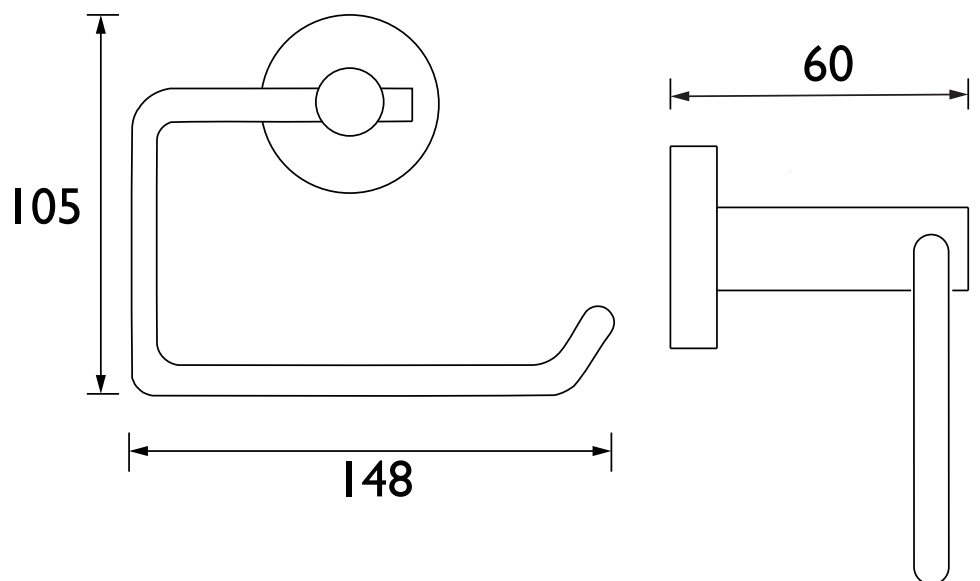
Variant SKUs:

- RD ROLL BLK
- RD ROLL BB
- RD ROLL GM

For more products, visit our website:
<http://www.bristan.com>



Dimensions (measurements in mm)



TECHNICAL
DATA
SHEET



BRISTAN

D3

Bristan, Birch Coppice Business Park, Dordon, Tamworth, B78 1SG. Web Site: www.bristan.com Telephone: 0330 026 6273. Email: enquire@bristan.com.

* - Lifetime guarantee applies to products purchased on or after 01/04/2026. See www.bristan.com/guarantees for more information. The information contained on this page was correct at date of issue. Fitting Dimensions are provided as a guide only. Some variation may occur due to manufacturing tolerances. Bristan pursues a policy of continuous improvement in design and performance of its products and so reserves the right to change specifications without prior notice.