

AFTERCARE INSTRUCTIONS

Your fitting has a high quality finish and should be treated with care to preserve the visible surfaces.

All surface finishes will wear if not cleaned correctly, the only safe way to clean your mixer is to wipe with a soft damp cloth. Stains can be removed using washing up liquid. All bath cleaning powders and liquids will damage the surface of your fitting, even the non-scratch cleaners. **NOTE: Never use abrasive detergents or disinfectants or those containing alcohol, hydrochloric acid or phosphoric acid.**

Bristan recommend E-Cloth for cleaning all of our bathroom & kitchen products. Using just water, E-cloth gives a smear free, deep clean by breaking up and holding dirt, which normal cloths leave behind. Order through your Bristan stockist. (ORDER CODE: ECLOTH)



PRODUCT IDENTIFICATION CODE LASER ETCHED ON PRODUCT

Installer please fill in code here _____.

TELEPHONE HELPLINE: 0844 701 6273

Bristan Group Limited
Birch Coppice Business Park
Dordon
Tamworth
Staffordshire
B78 1SG
UK
A Masco Company
Website: www.bristan.com
Telephone: 0844 701 6274
Facsimile: 0844 701 6275
Email: enquire@bristan.com

BRISTAN

Quest Single Lever Basin Mixer (with* or without Waste) (QST BAS C* & QST BASNW)

Fitting Instructions & Contents List

Before starting any installation project please consider:

Prior to drilling into walls, check there are no hidden electrical wires, cables or water supply pipes with the aid of an electronic detector. If you use power tools do not forget:



- Wear eye protection
- Unplug equipment after use

Please keep these instructions for future reference and request of replacement part

WATER PRESSURE

This tap is suitable for use at all supply pressures.

If the tap is installed at low pressure (tank fed), then the minimum distance from the highest installed position of the shower head to the underside of the cold tank should be at least 2 metres to ensure adequate shower performance.

(Operating Pressures: Min 0.2 bar, Max 5.0 bar).

This mixer tap should be installed in compliance with the Water Regulations. Where the supplies are unbalanced, i.e. hot water from cylinder tank / cold from the mains, approved check valves must be fitted in the supply pipes.

For further details contact your local Water Authority.

Hot & Cold Supply Temperature

Maximum Cold Supply: 25°C

Recommended hot supply: 60°C to 65°C

NOTE! - The mixing valve can operate at temperatures up to 80°C, however for safety reasons, it is recommended that the maximum hot water temperature is limited to 60°C

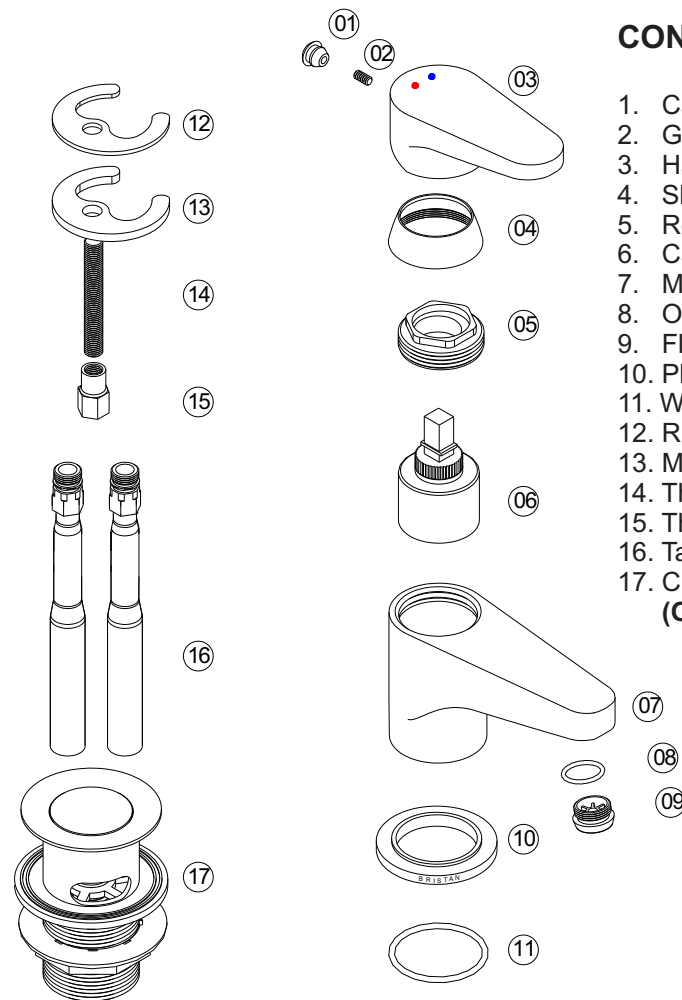
NOTE! - The inlet hot water temperature must be at least 10°C above the required blend temperature.

INSTALLATION

1. Identify all components and check for completeness, particularly before arranging installation.
2. Install the mixer body (7) into the basin using the plinth (10) and washer (11) are secured above the basin, then using the fixing kit (12, 13, 14 & 15) are used on the underside of the basin to secure the tap in place.
3. Screw in the copper tails pipes by hand **ONLY - (DO NOT OVERTIGHTEN)**.
4. To fit the waste (optional), using the rubber washer and backnut secure the waste to the underside of the basin. Use pure silicon sealant where necessary.
5. Connect both water supplies to the tail pipes and the waste to basin waste. Turn on both water supplies, letting the water flow for a few minutes to check for any leaks.
6. In order to fill the basin, push the button down in the centre of the waste to close and then press it again to release the water.
7. See the back page for aftercare instructions.

Note! - Clicker waste **ONLY** comes with QST BAS C* and not with QST BASNW

ILLUSTRATION DIAGRAM



CONTENTS

1. Cap	(x1)
2. Grub Screw	(x1)
3. Handle	(x1)
4. Shroud	(x1)
5. Retaining Nut	(x1)
6. Cartridge	(x1)
7. Mixer Body	(x1)
8. O' Ring	(x1)
9. Flow Straightener	(x1)
10. Plinth	(x1)
11. Washer	(x1)
12. Rubber 'C' Washer	(x1)
13. Metal 'C' Washer	(x1)
14. Threaded Rod	(x1)
15. Threaded Nut	(x1)
16. Tail Pipes	(x2)
17. Clicker Waste*	(x1)

(Optional)

MAINTENANCE

If the fitting begins to drip:

1. Turn off the water supply
2. Lift out handle cap (01) and remove grub screw (02), then pull off the handle (03).
3. Unscrew the shroud (04) and cartridge retaining nut (05) and lift out cartridge (06).
4. Carefully clean seating, rubber washer and ceramic disc valve.
5. Replace cartridge (06), retaining nut (05), shroud (04), handle (03) then replace grub screw (02) and cap (01).
6. Contact our helpline if problem persists.

Check out our full range of Showers

Electric Showers

Digital Showers

Mixer Showers

Power Showers

Smart Showers

Shower Towers

From Top Shower Brands

Mira Showers

Aqualisa Showers

Triton Showers

Gainsborough Showers

Shower Pumps can upgrade your showering experience even more

Stuart Turner Shower Pumps

Salamander Shower Pumps

Grundfos Shower Pumps

plumbworld
Big brands, small prices.