

TECHNICAL DATASHEET

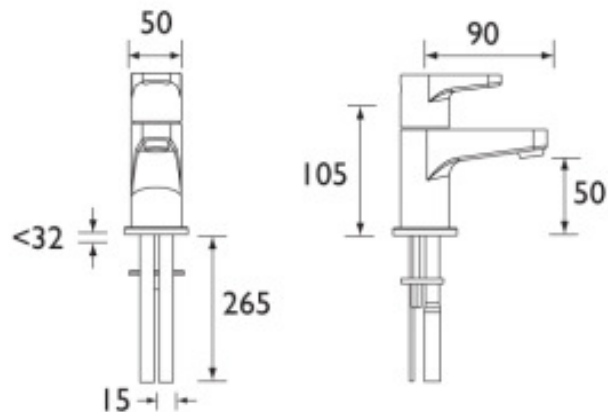
QUEST

QUEST BASIN MIXER (WITHOUT WASTE)



Product Specification

Product Code:	QST BASNW C
Finish:	Chrome
Product Type:	Contemporary
Construction:	Body is of brass construction and is designed to conform to BS EN 817
Valve Type:	35mm ceramic disc cartridge
Supply:	Suitable for all plumbing systems
Inlet Connections:	M10 x 15mm copper connecting pipes
Water Pressure:	Min. 0.2 bar, Max. 8.0 bar



Additional Information

- Supplied with metal handle
- Chrome plated to BS EN 248

Technical Advice: For further information please call 0844 7016273 or email customer@bristan.com.
Guarantee: 5 years covering manufacturing faults.

Compliance/Approvals

System Pressure	0.2bar	0.5bar	1bar	2bar	3bar	5bar
QST BAS C	5.2	8.5	12.0	17.0	20.9	26.9

Bristan, Birch Coppice Business Park, Dordon, Tamworth, B78 1SG
 Telephone: 0844 701 6274 Facsimile: 0844 701 6275
 Web Site: www.bristan.com Email: enquire@bristan.com



The information contained on this page was correct at date of issue. Fitting dimensions are provided as a guide only. Some variation may occur due to manufacturing tolerances. Bristan pursues a policy of continuing improvement in design and performance of its products and so reserves the right to change specifications without prior notice.

Check out our full range of Showers

Electric Showers

Digital Showers

Mixer Showers

Power Showers

Smart Showers

Shower Towers

From Top Shower Brands

Mira Showers

Aqualisa Showers

Triton Showers

Gainsborough Showers

Shower Pumps can upgrade your showering experience even more

Stuart Turner Shower Pumps

Salamander Shower Pumps

Grundfos Shower Pumps

plumbworld
Big brands, small prices.