

# PNE EFSNK GM

## PINE Tap Range Pine Easyfit Mono Sink Mixer Gun Metal



### Features:

- Reduce energy usage with our Eco Start technology - the tap runs cold when the lever is in the central position and only activates hot water when needed, helping cut unnecessary boiler use
- Install your tap in minutes from above the sink, thanks to the innovative Top Fix Easyfit technology
- Easily repair, maintain or replace your kitchen tap using the two isolation valves that let you shut off the water supply at the base
- Supplied with everything you need for a hassle-free installation, including two Allen keys, isolation valves, Top Fix Easyfit base, and flexi tails
- Rinse and reach with ease using the convenient swivel spout

### Product Certifications:



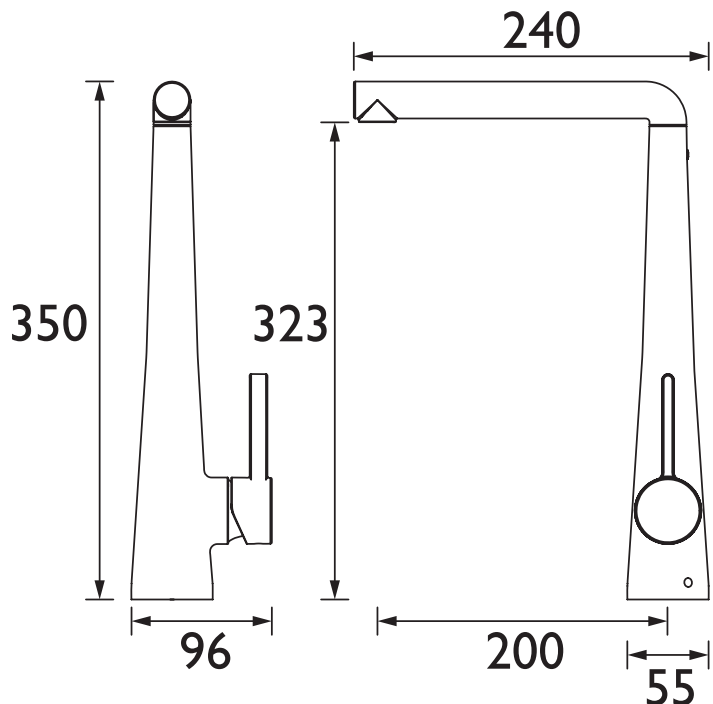
WRAS Certificate No: 240403009  
WRAS Expiry Date: 30/04/2029



### Specification

<b>Product Type:</b>	Kitchen Taps
<b>Main Construction Material:</b>	Brass
<b>Mount Type:</b>	Deck
<b>Handle Type:</b>	Lever
<b>Connection Inlet:</b>	1/2" BSP Flexible Tails with Isolation Valves
<b>Connection Outlet:</b>	Recessed M21.5 8lpm Flow Limited Aerator
<b>Number of Tap Holes:</b>	1
<b>Valve/Cartridge Type:</b>	35mm Eco-Click Cartridge
<b>Plumbing System Requirements:</b>	Suitable for all plumbing systems, ideally balanced
<b>Minimum Dynamic Pressure (bar):</b>	0.3 bar
<b>Maximum Dynamic Pressure (bar):</b>	5 bar
<b>Maximum Hot Water Temperature °C:</b>	60°C
<b>Maximum Static Pressure (bar):</b>	10 bar
<b>Flow Type:</b>	Single
<b>Isolation Included:</b>	Yes

### Dimensions (measurements in mm)



### Flow Rates (l/min)

System Pressure (bar)	0.3	0.5	1	2	3	5
PNE EFSNK GM (mixed)	2.9	3.8	5.5	7.8	8.1	8.1

## TECHNICAL DATA SHEET



# BRISTAN

D5