

DUL2 SHXARFF C

DU LEVER Shower Range

Design Utility Lever Safe Touch bar mixer with adjustable riser kit and fast fit wall fixings



Features:

- Honour classic design with the thermostatic Design Utility Safe Touch Bar Shower with kit in chrome plated finish, delivering modern functionality for mixer shower installations. The thermostatic cartridge with 38°C safety stop and automatic shut-off protection ensures family-safe showering, while the adjustable riser rail allows personalised height positioning.
- Fast, hassle-free installation with built-in front facing isolation valves that make it easy to fit, maintain and replace.
- Stay protected with Safe Touch technology that keeps the valve cool to the touch
- Shower safely with automatic shut-off protection if hot or cold water supply fails
- Built to last, backed by a lifetime parts and 1-year labour guarantee

Product Certifications:



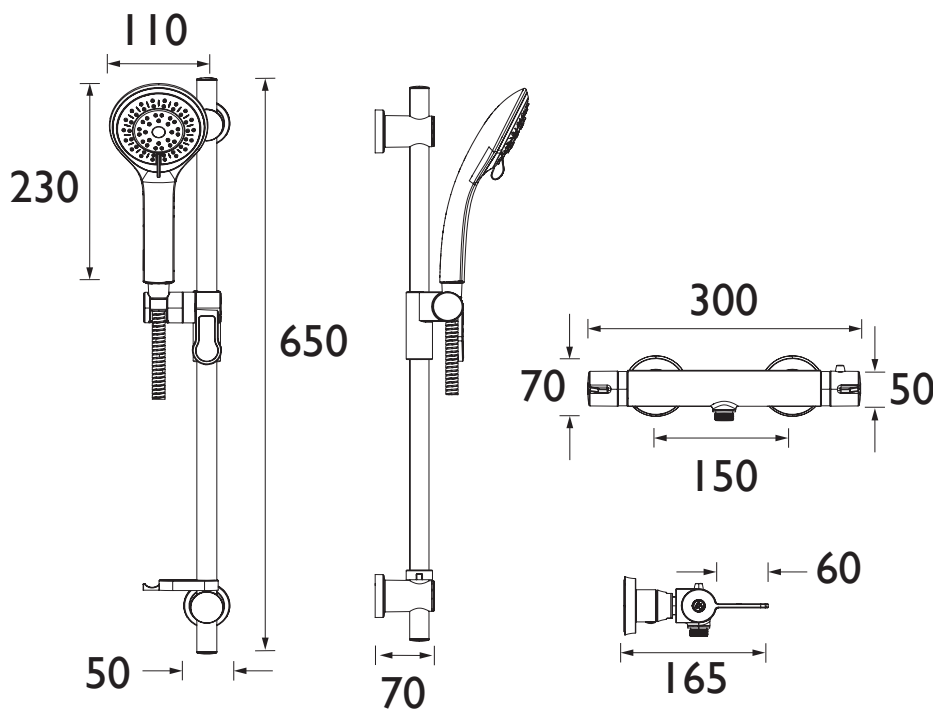
WRAS Certificate No: 250603003
WRAS Expiry Date: 30/06/2030
Kiwa TMV2 Cert No: 2601731
Kiwa TMV2 Expiry Date: 26/01/2031



Specification

Finish/Colour:	Chrome Plated
Main Construction Material:	Brass, Zinc, Stainless Steel & ABS
No of Controls:	2
Shower Type:	Bar Shower
Shower Head Type:	Multi Function Handset
Shower Kit:	Adjustable Riser
Valve/Cartridge Type:	Thermostatic Cartridge
Maximum Hot Water Supply Temperature °C:	65
Plumbing System Suitability:	Suitable for all plumbing systems, ideally balanced
Minimum Dynamic Pressure (bar):	0.2
Maximum Dynamic Pressure (bar):	5
Maximum Static Pressure (bar):	10
Connection Inlet:	15mm Compression
Connection Outlet:	G 1/2"
Isolation Valve Included:	Yes
Check Valve Included:	No

Dimensions (measurements in mm)



Flow Rates (l/min)

System Pressure (bar)	0.2	0.5	1	2	3	5
Through Handset	2.6	4.5	6.7	15.7	9.7	16.9

TECHNICAL DATA SHEET



BRISTAN