

CR SHXDIVFF C

CARRE Shower Range Carre Exposed Fixed Head Bar Shower with Diverter & Kit



Features:

- Supplied with our wallmount 12 fixing kit. The simplest solution for installing, maintaining and replacing bar showers, using built in front-of-wall isolation valves
- Thermostatic cartridge with preset temperature stop at 38°C, can be over-ridden to a maximum of 46°C
- Automatic shut-off in the event of hot or cold water supply failure
- Telescopic rigid riser for adjustable height
- Integral diverter to shower handset

Product Certifications:



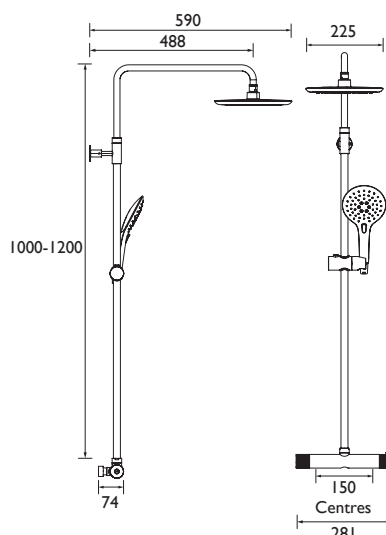
WRAS Certificate No: 1503001
WRAS Expiry Date: 31/03/2020



Specification

Finish/Colour:	Chrome Plated
Main Construction Material:	Brass
No of Controls:	2
Shower Type:	Bar Shower
Shower Head Type:	Both
Valve/Cartridge Type:	3/4" Ceramic Disc Valve - 1/4 turn
Maximum Hot Water Supply Temperature °C:	65
Maximum Static Pressure: (bar)	10
Plumbing System Suitability:	Suitable for all plumbing systems
Minimum Dynamic Pressure:	Min: 0.5 bar, Max: 5 bar
Connection Inlet:	15mm Compression
Connection Outlet:	G 1/2"
Isolation Valve Included:	Yes
Check Valve Included:	Yes

Dimensions (measurements in mm)



Flow Rates (l/min)

System Pressure (bar)	0.5	1	2	3	5
Through Handset (mixed)	5.7	8.7	12.8	15.9	20.8
Through Fixed Head (mixed)	3.9	5.7	8.2	10	12.9

For more products, visit our website:

<http://www.bristan.com>



TECHNICAL DATA SHEET



BRISTAN

D11

Check out our full range of Showers

Electric Showers

Digital Showers

Mixer Showers

Power Showers

Smart Showers

Shower Towers

From Top Shower Brands

Mira Showers

Aqualisa Showers

Triton Showers

Gainsborough Showers

Shower Pumps can upgrade your showering experience even more

Stuart Turner Shower Pumps

Salamander Shower Pumps

Grundfos Shower Pumps

plumbworld
Big brands, small prices.