

BRISTAN

TAPS & SHOWERS

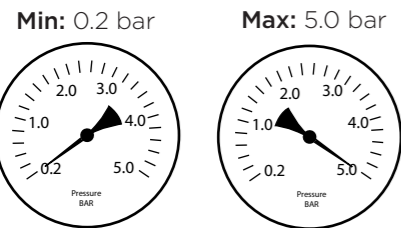
Installation Instructions & User Guide

Please leave these instructions with the end user

Product Code: CR SHXDIVFF C (D2)

Specifications

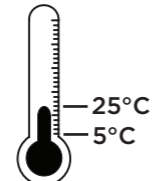
Working Pressures



Maximum Static Pressure: 10.0 bar

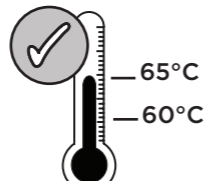
Inlet Water Temperature

Cold Water Supply



Min: 5°C Max: 25°C

Hot Water Supply

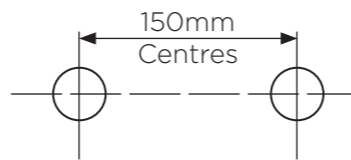


60-65°C Recommended

Factory pre-set 42°C

IMPORTANT
The inlet hot water must be at least 10°C above the required blend temperature.

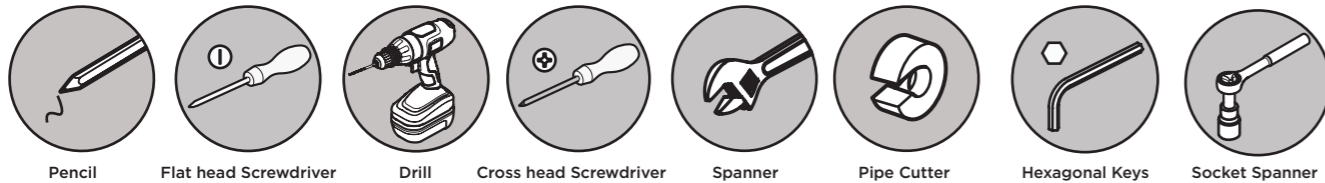
Inlet Dimensions



Inlet Connections



Tools You'll need



Prior to Installation

All products manufactured and supplied by Bristan are safe to use provided that they are installed, operated and receive regular maintenance in accordance with these instructions.

This product needs to be installed in accordance with, and meet the requirements of the Water Supply (Water Fittings) Regulations 1999 and current by-laws. For full Installation Requirements & Notes (IRN) please visit wras.co.uk/directory.

Isolation valves must be fitted to the inlet water supplies to ensure ease of future maintenance.

Before installing this product the water supply must be thoroughly flushed in order to remove any swarf, solder etc.

This product must not be modified in any way as this will invalidate the guarantee.

Full access must be made available for future maintenance/servicing purposes.

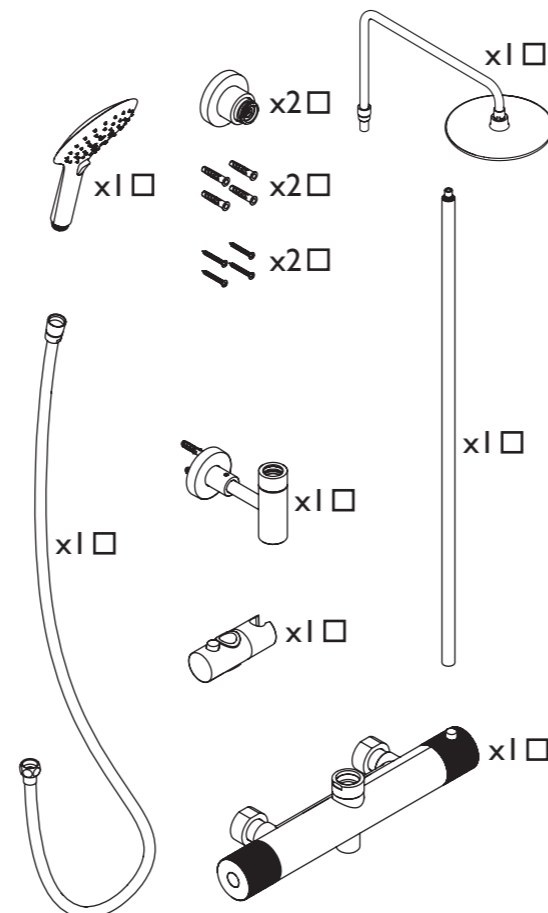
Before drilling into walls, check that there are no hidden electrical wires, cables or water supply pipes. This can be checked with the aid of an electronic detector.

If power tools are used do not forget to:
- Wear eye protection
- Unplug equipment after use

If in doubt, contact a registered plumber or your Local Water Authority or the Secretary of the Institute of Plumbing, address as follows:-

The Institute of Plumbing,
64 Station Lane,
Hornchurch,
Essex,
RM12 6NB, Tel: 01708 472791

Pack Contents

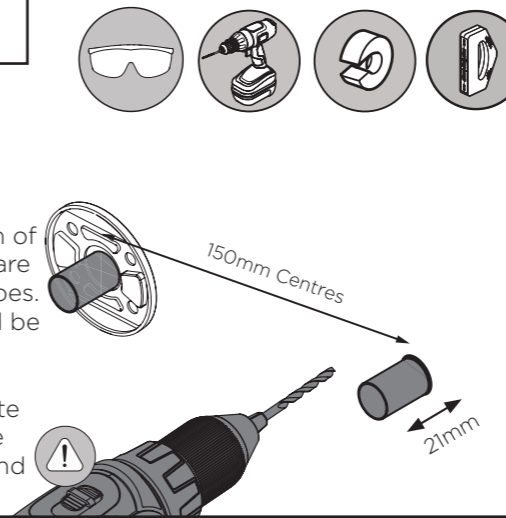


Installation

1

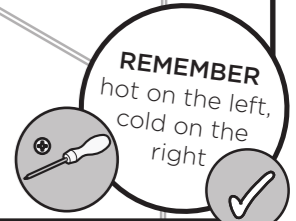
Identify the required position of the valve and prepare the water supply pipes. Supply pipes should be 150mm apart.

Using the backplate supplied with the wallmount, mark and drill holes.



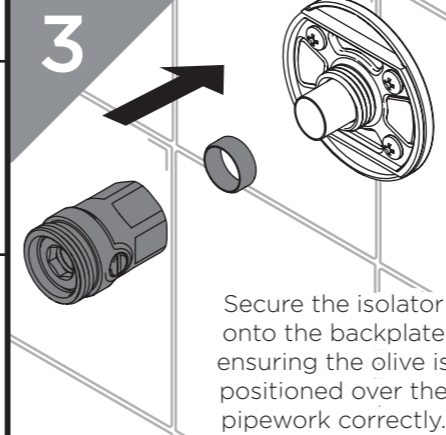
2

Secure the rubber backplate and backplate into place.



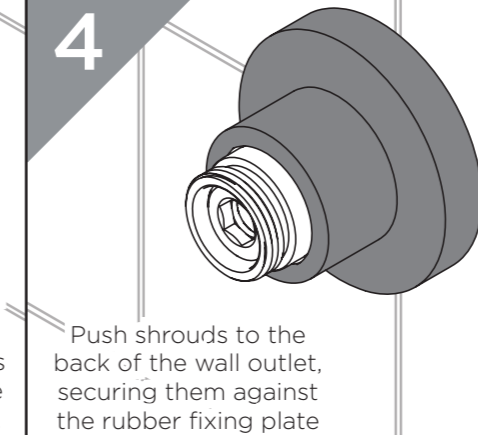
3

Secure the isolator onto the backplate ensuring the olive is positioned over the pipework correctly.



4

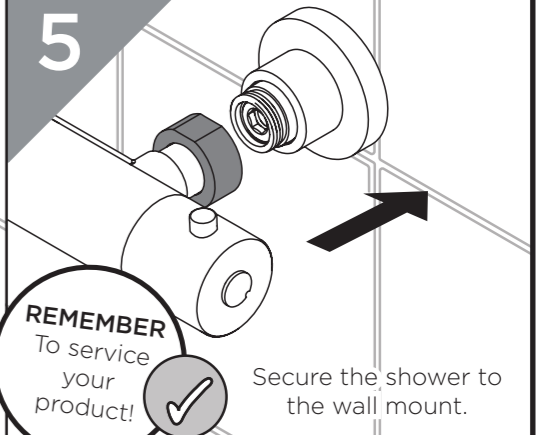
Push shrouds to the back of the wall outlet, securing them against the rubber fixing plate



5

REMEMBER To service your product!

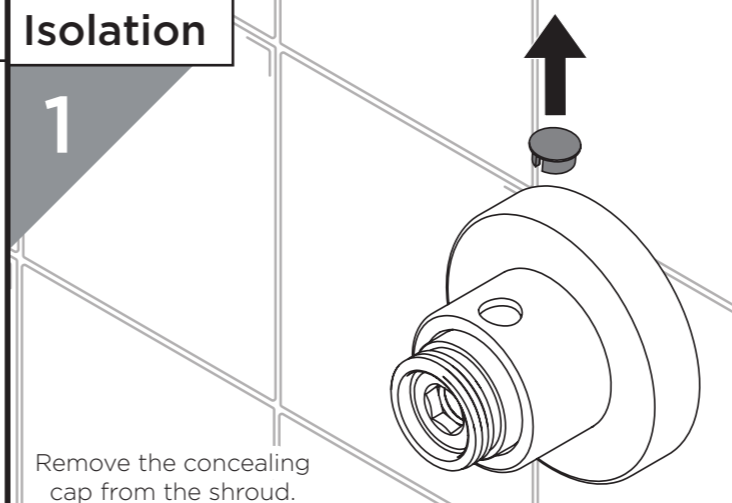
Secure the shower to the wall mount.



Isolation

1

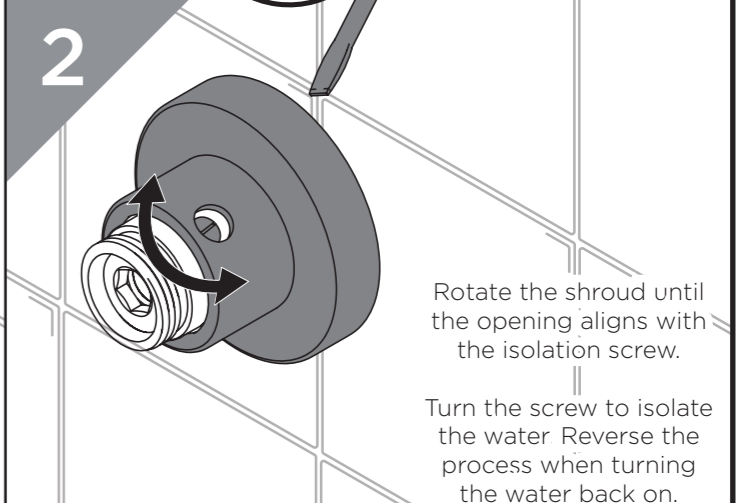
Remove the concealing cap from the shroud.



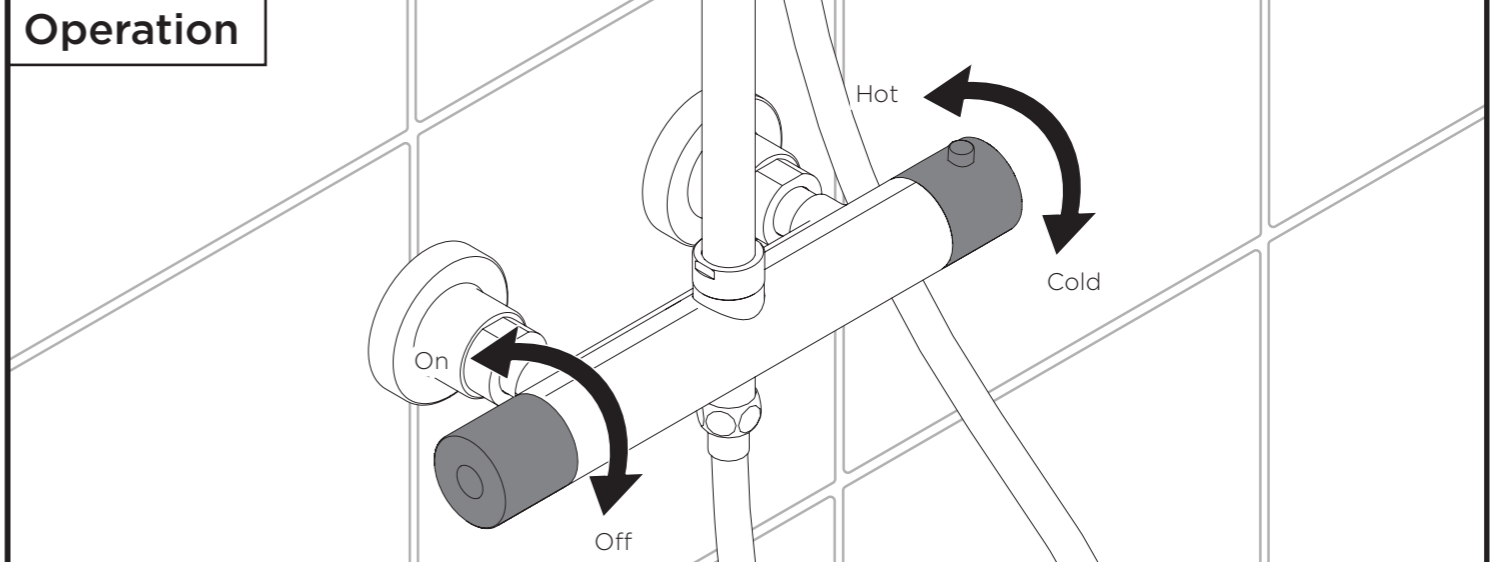
2

Rotate the shroud until the opening aligns with the isolation screw.

Turn the screw to isolate the water Reverse the process when turning the water back on.



Operation



Temperature Setting

- 1 Turn flow handle to 'on' position, letting temperature stabilise.
- 2 Remove temperature handle
- 3 Turn cartridge spindle clockwise to decrease the temperature.
Turn cartridge spindle anti-clockwise to increase the temperature.
- 4 Replace temperature handle

Riser Installation

- 1 Assemble the riser rail and attach slider to the riser, setting the desired length using the telescopic riser.
- 2 Using a spirit level to ensure the riser is positioned correctly, use the assembled riser to mark the desired position of the brackets.
- 3 Disassemble bracket, align on the wall in the correct position and mark location of holes to be drilled.
- 4 Secure bracket to wall using screws and plugs provided
- 5 Attach shroud and secure riser to bracket by tightening grub screws
- 6 Attach handset and fixed head

Maintenance - Cartridge Cleaning

- 1 Using the wall mount, isolate both shower inlets before carrying out any maintenance.
- 2 Remove temperature and flow handles
- 3 Unscrew the cartridge using a socket or box spanner.

- 4 Remove cartridge retainer and cartridge
- 5 Remove O-rings and soak all components in de-scaler and wash off in clean water. Examine all seals and replace if needed. Use WRAS approved silicon based grease on all seals.

- 6 Reverse steps 5-2 to reinstall the valve, cartridge and handles.
- 7 Turn the water supply to the shower back on.


Servicing Intervals

To reduce the build up of limescale and to ensure this shower works to its maximum performance we recommend this shower is serviced every 6-12 months depending on the hardness of your water.

REMEMBER
To service your product!

Spare Parts

To replace any spare parts for your shower why not scan the below QR Code and search for your product.



Troubleshooting


Symptom	Cause	Remedy
No flow or low flow rate	partially closed isolation valve.	Open isolation valve.
	Instantaneous water heater cycles on and off as flow rate or pressure is too low.	Increase water flow rate or pressure through system.
	Head of water is below the minimum distance required.	2 meters minimum required.
	Hot or cold water being drawn off elsewhere causing pressure changes or instantaneous boiler temperature changes.	Do not use other water outlets when using the taps.
	Airlock or partial blockage in the supply pipework.	Flush through pipework to ensure removal of debris and any airlocks.
Water dripping from shower	This is normal for a short time after using the shower.	This is caused by residual water tension, the build up of water in the shower.
	If water continues to drip, possibly due to the cartridge	Remove cartridge and clean, refer to 'Maintenance' section before starting any maintenance.
Shower does not turn on	Closed isolation valve.	Open isolation valve.
	Mains water supply turned off.	Turn on mains water supply.

At Bristan, we want to make things as easy as possible for our customers. That's why we offer solid guarantees on all our products, effective from the date of purchase, to give you peace of mind.

To start your free guarantee simply scan the QR code and register your product. Alternatively visit www.bristan.com/register.

For any other queries, please call our Customer Service on 0330 026 6273 where our expert team of advisors will be able to offer you any help and advice.

For full guarantee terms and conditions visit www.bristan.com/guarantees.



Check out our full range of Showers

Electric Showers

Digital Showers

Mixer Showers

Power Showers

Smart Showers

Shower Towers

From Top Shower Brands

Mira Showers

Aqualisa Showers

Triton Showers

Gainsborough Showers

Shower Pumps can upgrade your showering experience even more

Stuart Turner Shower Pumps

Salamander Shower Pumps

Grundfos Shower Pumps

plumbworld
Big brands, small prices.