

# BRISTAN

## Installation Instructions & User Guide

Please leave these instructions  
with the end user

Product Code: AL 3TH WMBAS Range (D1)

### Specification

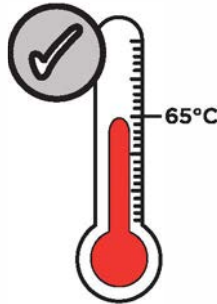
#### Dynamic Water Pressure

Min: 0.5 bar Max: 5.0 bar



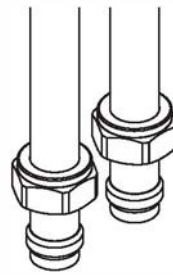
Maximum Static Pressure: 10.0 bar

#### Inlet Water Temperature



Maximum Hot: 65°C

#### Inlet Connections



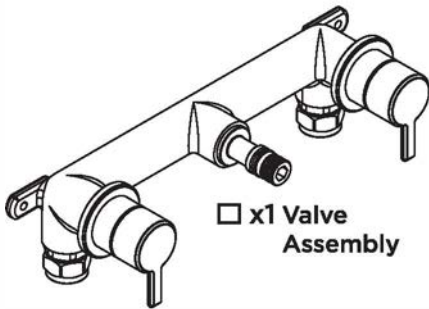
15mm Compression

#### Outlet

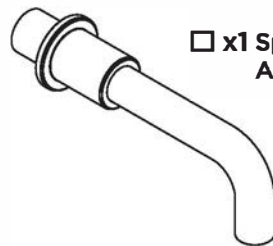


M18.5 5|pm  
Coin-Slot Aerator

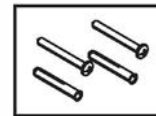
### Pack Contents



☐ x1 Valve  
Assembly

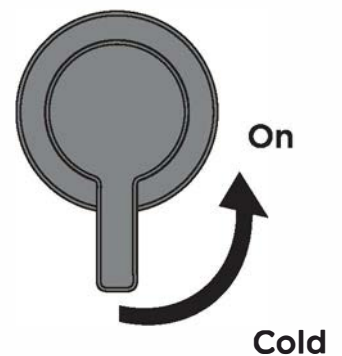
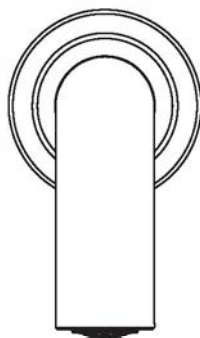
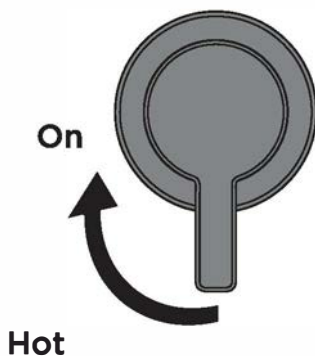


☐ x1 Spout  
Assembly



☐ x1 Wall Fixings

### Operation



### Tools Required



Cross Head  
Screwdriver



Drill



Safety  
Goggles



Electronic  
Detector



Spanner



Hex Key



Hex Key



Box  
Spanner

# Prior to Installation

All products manufactured and supplied by Bristan are safe to use provided that they are installed, operated and receive regular maintenance in accordance with these instructions.

This product needs to be installed in accordance with, and meet the requirements of The Water Supply (Water Fittings) Regulations (Northern Ireland) 2009 and The Water Supply (Water Fittings) (Scotland) Byelaws 2014.

For full Installation Requirements & Notes (IRN) please visit [www.wrasapprovals.co.uk/approvals-directory](http://www.wrasapprovals.co.uk/approvals-directory)

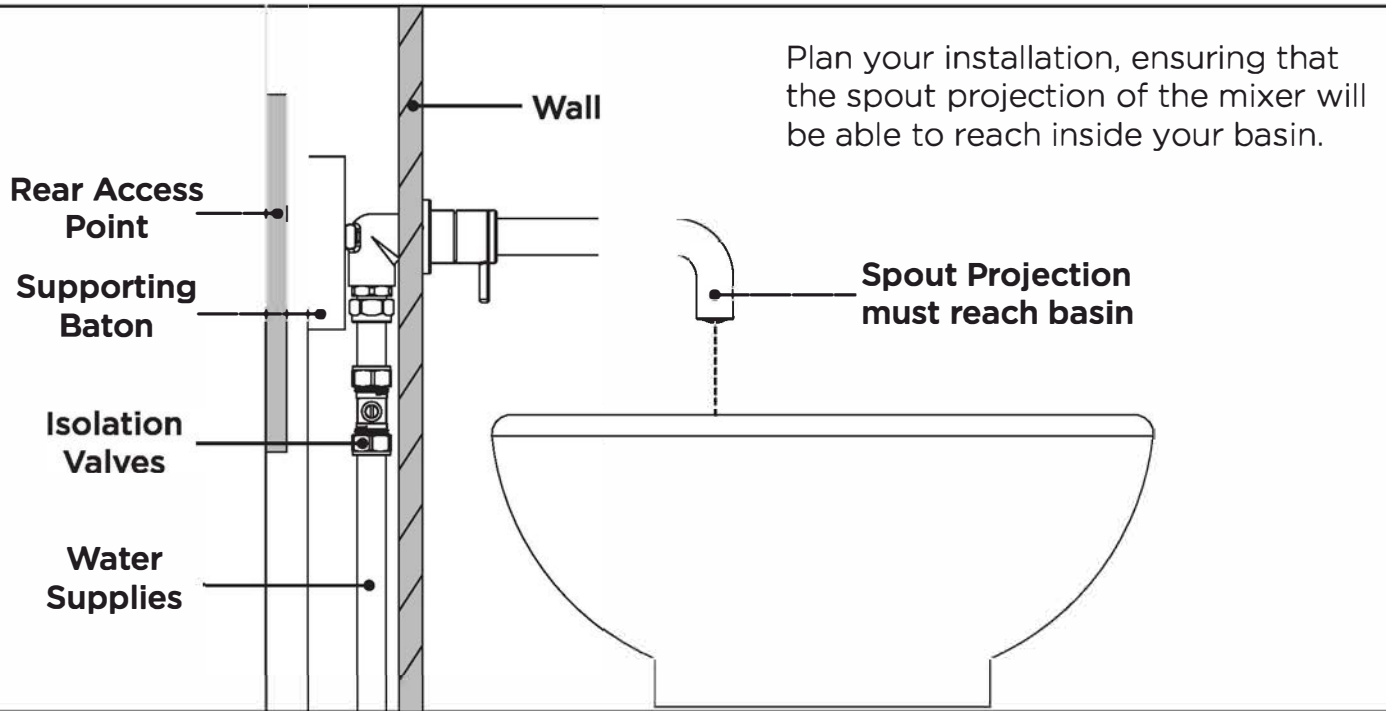
Isolation valves must be fitted to the inlet water supplies to ensure ease of future maintenance. Before installing this product the water supply must be thoroughly flushed in order to remove any swarf, solder etc. Full access must be made available for future maintenance/servicing purposes.

If power tools are used do not forget to:

- Wear eye protection
- Unplug equipment after use

This product must not be modified in any way as this will invalidate the guarantee.

# Typical Installation

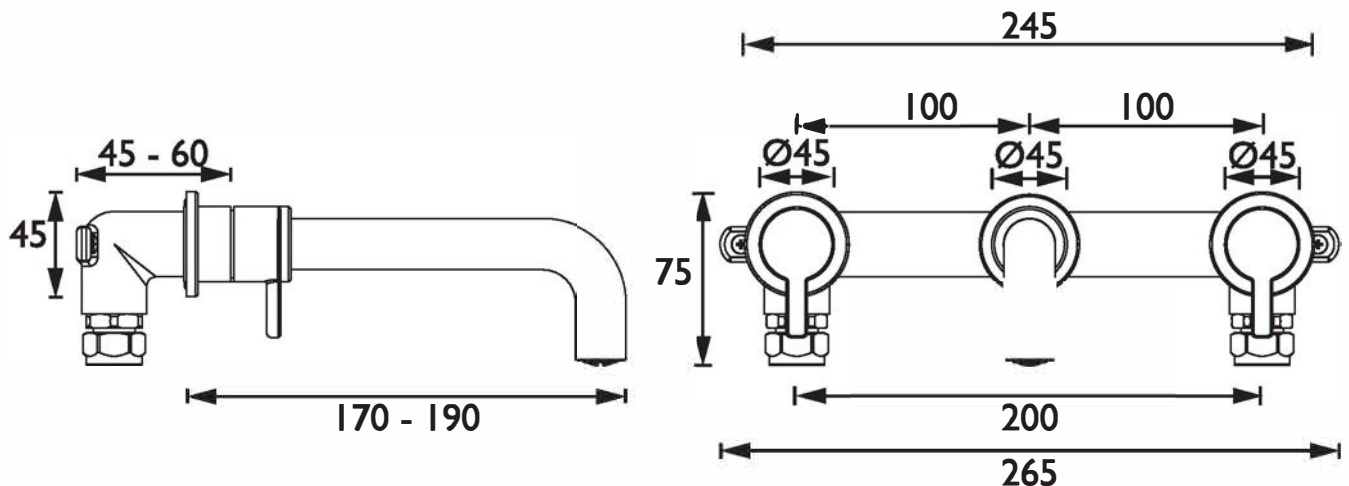


# Critical Dimensions

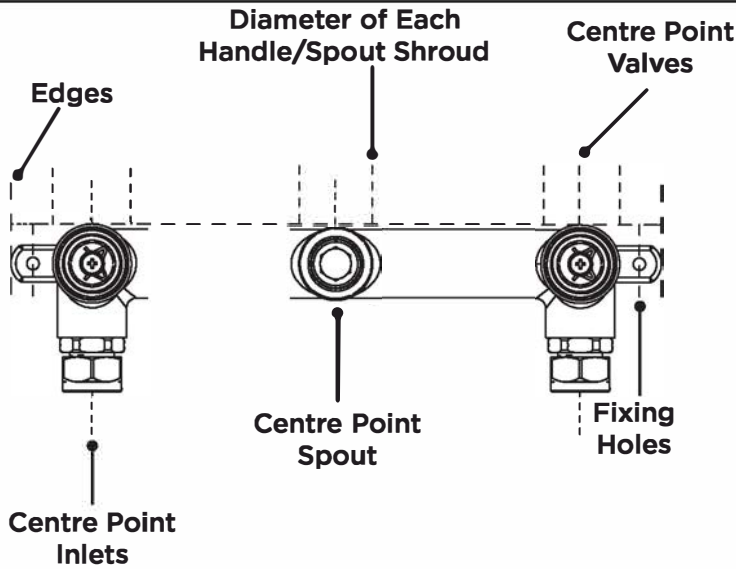
Please ensure that the installation and accommodation is designed with future serviceability of the product in mind. Rear access will also be required in order to access the valve for future maintenance/re-fitting purposes. It is strongly advised to fit isolation valves to the water fixtures in an easy to access location; in case isolation is required at any point during maintenance.

In the event a future claim is made under the product warranty, the design of the installation may affect compensation costs if it has not been considered in the original design. Failure to observe crucial information in these fitting instructions will nullify your guarantee.

This product requires experience within plumbing. No responsibility will be taken for poor workmanship resulting in leaks and injuries.



# Critical Dimensions - Continued



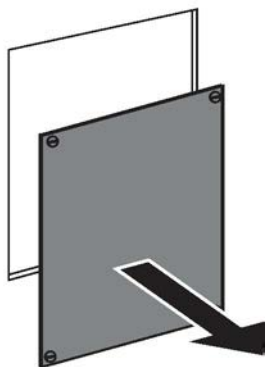
Take note of the following dimensions when fitting, or mark on the fitting location where needed.

The plinths are separated so care will need to be taken when finishing the wall surface to make sure the fixing holes are covered but also allow for the valve to come through.

When creating the wall cavity, make sure to accommodate for the wall finish in your measurements.

## Installation

1



Take the necessary measurements as per the **Critical Dimensions** and mark the desired location for the valve on the wall.

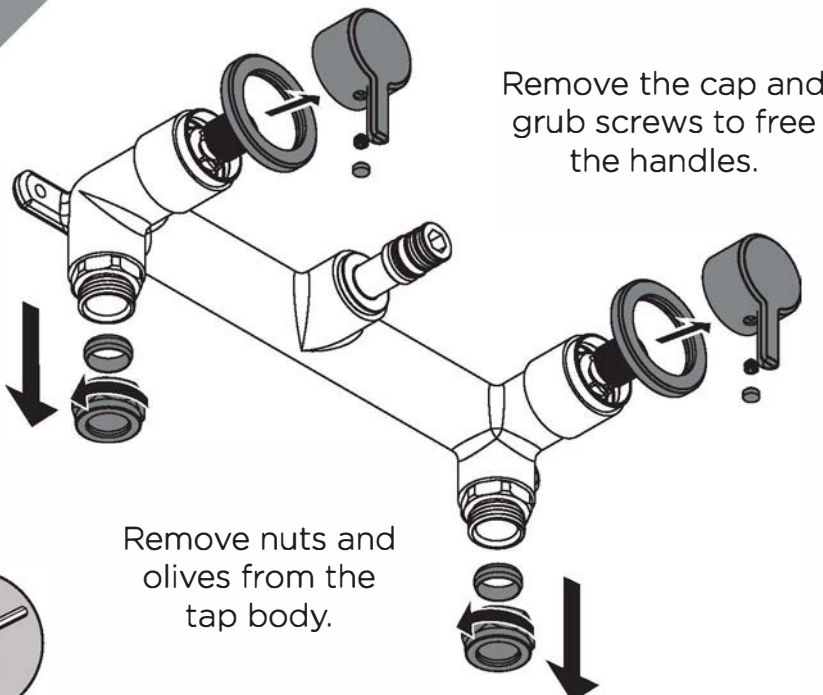
Cut out the space required to fit the valve at the front. Create the rear access point on the other side of the wall for maintenance purposes.



### IMPORTANT

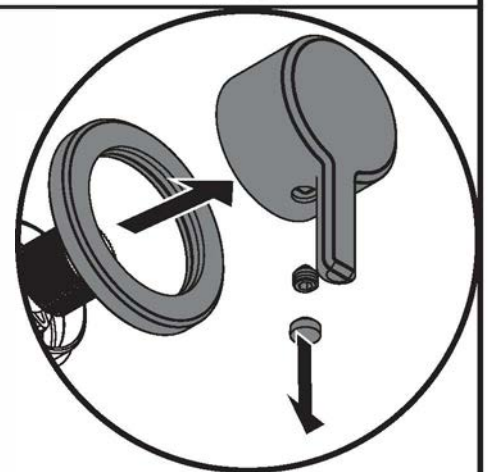
Prior to drilling into walls check there are no hidden electrical wires, cables or water supply pipes.

2



Remove the cap and grub screws to free the handles.

Remove nuts and olives from the tap body.



Remove the handles and plinths from the tap body.

# Installation - Continued

3

Rear Access Point

Front Cut-Out

Measure the cavity depth and allow for a sufficient amount of the valve to protrude through the wall for fitting.

Baton

Install suitable batons if necessary to secure the valve.



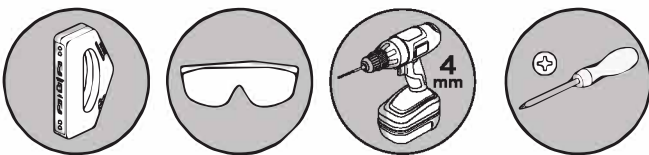
**REMEMBER**

Refer to the Critical Dimensions Allow for the wall finish when measuring!

4

Mark and drill the fixing holes.

Secure the valve body using suitable fixings for your wall type.



5

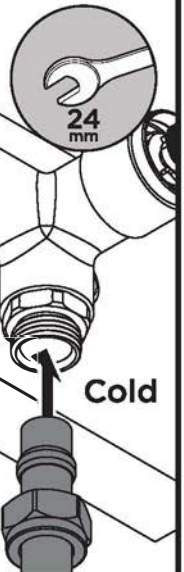
Plumb the hot and cold water supplies to the valve body using the nut and olives.

Hot

Fit isolation valves (not supplied) as close as possible to the valve body.

Cold

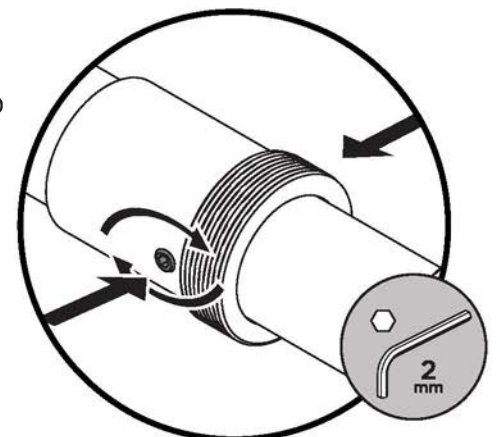
Turn on the water supply and check all joints for any leaks.



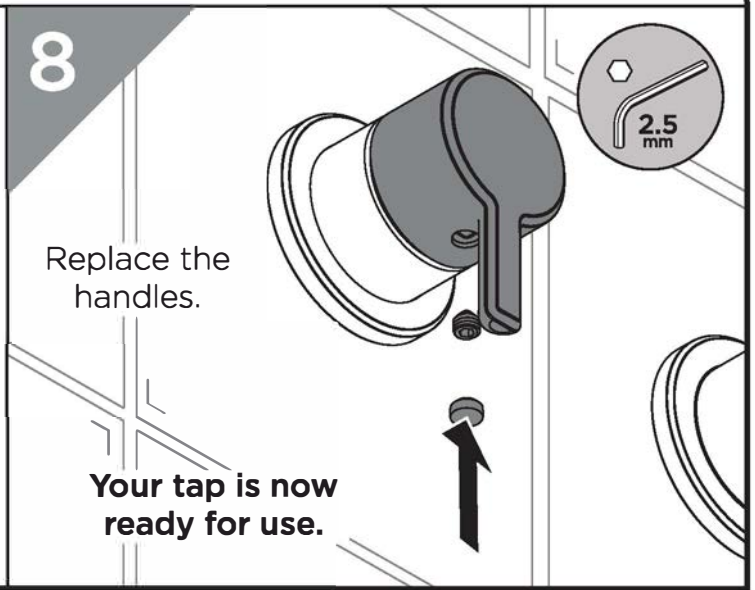
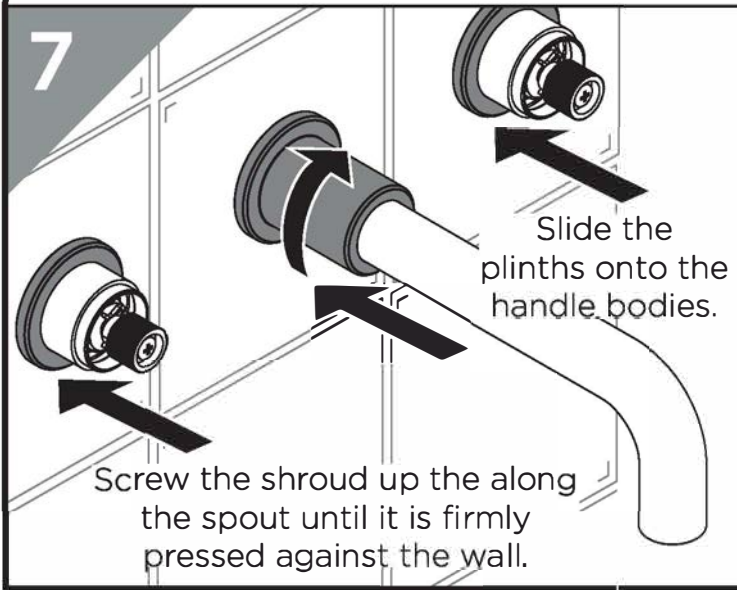
6

Finish the wall, then push the spout on to the spout fitting.

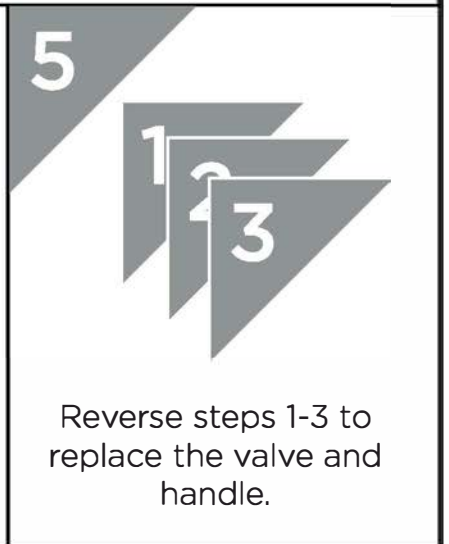
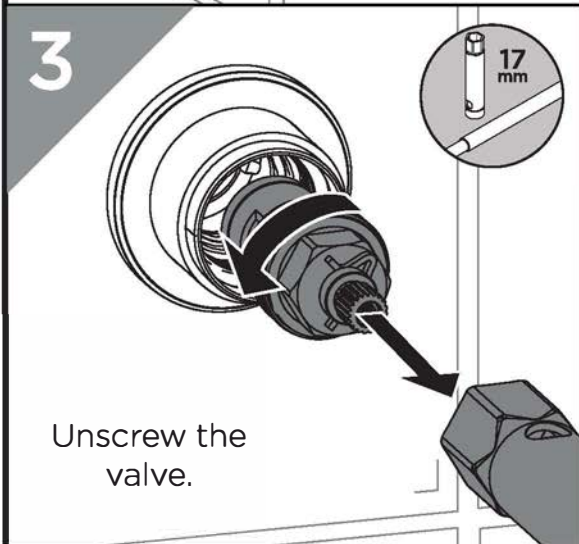
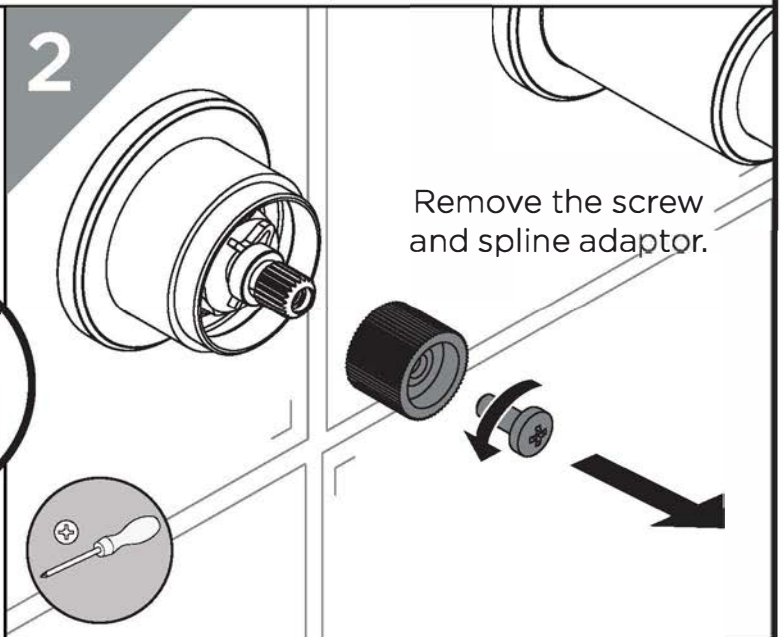
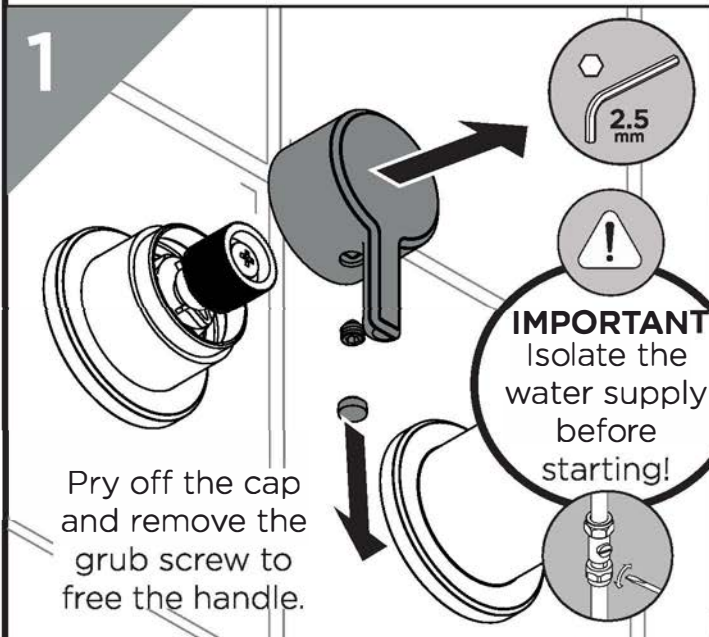
Tighten the grub screws on the sides to secure the spout.



# Installation - Continued



# Maintenance - Valve Replacement



## Maintenance - Outlet Cleaning



## General Cleaning

Bristan products are made from premium materials, with hand polished, PVD, EPD or electroplated finishes. Your product should be regularly cleaned with warm water, a mild pH-neutral liquid soap, and polished with a soft cloth. Any residues from soap, toothpaste, shampoos and shower gels can cause blemishes if not rinsed off straight after use.

Household bleaches and cleaners contain harsh chemicals and may damage the surface finish. Avoid using abrasive cloths, scouring pads, scrub sponges, steel wool or anything similar.

## Troubleshooting

Symptom	Cause	Remedy
Low Flow	Partially closed isolation valve.	Open isolation valve.
	Airlock or partial blockage in the supply pipework.	Flush through pipework to ensure removal of debris and any airlocks.
	Partial blockage in the outlet	Remove to Clean and soak in suitable solution.
No hot water or cycling hot and cold	Instantaneous water heater cycles on and off as flow rate or pressure is too low.	Increase water flow rate or pressure through system.
No Flow	Closed isolation valve.	Open isolation valve.
	Mains water supply turned off.	Turn on mains water supply.
Temperatures not corresponding with taps	Inlet pipes have been connected incorrectly	Swap the inlet tails around.

## Spare Parts



To replace any spare parts for your tap, why not scan the QR Code or visit [www.bristan.com](http://www.bristan.com) and search for your product.

## Contact Us

# BRISTAN

Part of **BRISTAN GROUP**

**Bristan Group Ltd.**  
A Masco Company

**UK:** Bristan Group,  
Pooley Hall Drive,  
Birch Coppice Business Park,  
Dordon, Tamworth  
B78 1SG.

**EU:** Masco Europe S.à.r.l.  
14 Rue Strachen  
6933 Mensdorf  
Luxembourg

**Email Us:** [enquire@bristan.com](mailto:enquire@bristan.com)  
**Website:** [www.bristan.com](http://www.bristan.com)  
**Call Us:** +44330 026 6273

## Our Guarantee

At Bristan, we want to make things as easy as possible for our customers. That's why we offer solid guarantees on all our products, effective from the date of purchase, to give you peace of mind.

To start your free guarantee simply scan the QR code and register your product.  
Alternatively visit [www.bristan.com/register](http://www.bristan.com/register).



For any other queries, please call our Customer Service on 0330 026 6273 where our expert team of advisors will be able to offer you any help and advice.

For full guarantee terms and conditions visit [www.bristan.com/service-centre/guarantees](http://www.bristan.com/service-centre/guarantees).