

N2 SQSHXDIV C

1901 Shower Range 1901 Exposed Sequential Chrome Shower Valve with Rigid Riser Kit



Features:

- The 1901 Exposed Sequential Shower Valve in chrome combines Edwardian-inspired design with dual outlet functionality. Integrated flow regulation and a 42°C safety stop ensure consistent performance and family protection.
- Comes complete with diverter, shower rose, rigid riser, rub-clean anti-limescale handset and hose
- Save time and avoid plumbing changes with a shower that fits your existing pipework, thanks to adjustable inlets for centres between 136mm and 158mm.
- Save water without compromising performance thanks to two built-in 8L flow regulators
- Built to last, backed by a lifetime parts and 1-year labour guarantee

Product Certifications:



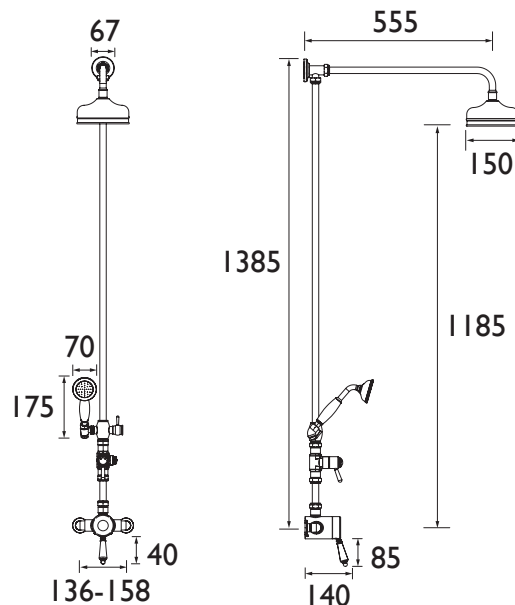
WRAS Certificate No: 31/07/2027
WRAS Expiry Date: 2207908



Specification

Finish/Colour:	Chrome Plated
Main Construction Material:	Brass
No of Controls:	2
Shower Type:	Sequential
Shower Head Type:	Both
Shower Kit:	Rigid Riser
Valve/Cartridge Type:	Sequential Cartridge
Maximum Hot Water Supply Temperature °C:	65
Plumbing System Suitability:	Suitable for all plumbing systems, ideally balanced
Minimum Dynamic Pressure (bar):	0.2
Maximum Dynamic Pressure (bar):	5
Maximum Static Pressure (bar):	10
Connection Inlet:	15mm Compression
Connection Outlet:	G 1/2"
Isolation Valve Included:	No
Check Valve Included:	Yes

Dimensions (measurements in mm)



Flow Rates (l/min)

System Pressure (bar)	0.2	0.5	1	2	3	5
Through Fixed Head (mixed)	5	10.4	15.7	22.8	28.3	36.5
Through Handset (mixed)	3.2	7.2	10.9	15.9	19.7	25.4
Through Fixed Head (with flow limiters)	NPD	9	11.6	12.2	12.4	10.8
Through Handset (with flow limiters)	NPD	6.7	10.3	11.6	12.3	10.6

TECHNICAL DATA SHEET



BRISTAN

D5