

# N 3/4 G CD

## 1901 Tap Range 1901 Bath Taps with Ceramic Disc Valves Vintage Gold



Specification	
Style:	Traditional
Product Type:	Bathroom Taps
Finish/Colour:	Vintage Gold
Main Construction Material:	Brass
Mount Type:	Deck
Handle Type:	Crosshead
Connection Inlet:	3/4" BSP
Number of Tap Holes Required:	2
Valve/Cartridge Type:	3/4" Ceramic Disc Valves
Plumbing System Suitability	All
Working Pressure Range:	Min. 0.2 Bar, Max. 8.0 Bar
Maximum Hot Water Temperature: °c	65
Maximum Dynamic Pressure: (bar)	8
Maximum Static Pressure: (bar)	10
Flow Type:	Single Flow
Flow Rate: (l/min @ 3 bar)	49.2
Connection Outlet:	
Isolation Included:	No

### Features:

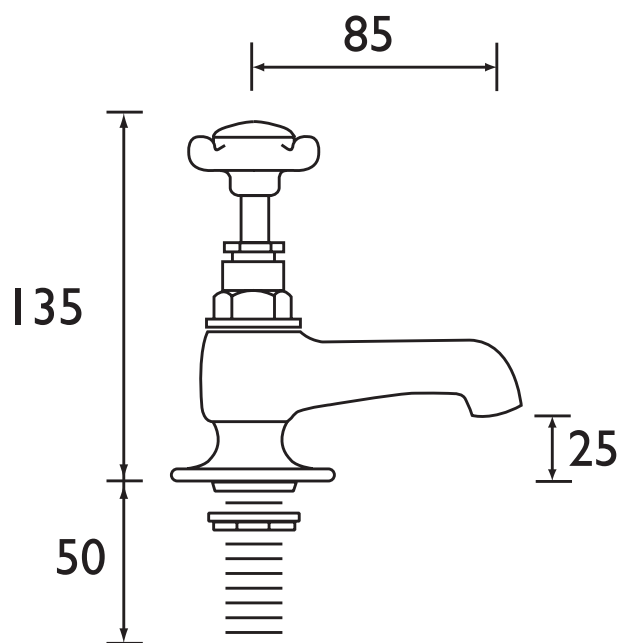
- Metal heads
- Ceramic Discs

### Product Certifications:

For more products, visit our website:



### Dimensions (measurements in mm)



### Flow Rates (l/min)

System Pressure (bar)	0.2	0.5	1	2	3	5
N 3/4 G CD (Hot)	12.3	19.5	27.6	39	47.8	61.7
N 3/4 G CD (Cold)	15.5	20.1	28.4	40.2	49.2	63.6

TECHNICAL  
DATA  
SHEET



**BRISTAN**  
TAPS & SHOWERS

D3

## **Check out our full range of Bathroom Taps**

Contemporary Bathroom Taps

Traditional Bathroom Taps

Waterfall Bathroom Taps

Basin Taps

Bath Taps

Bidet Taps

## **Luxury Mira Aspects Taps**

Mira Honesty

Mira Evolve

Mira Precision

Mira Comfort

Mira Revive

Mira Fluency

## **Don't forget these amazing tap cleaning and care products**

Cramer Tap Cleaner

Cramer Chrom Star Chrome Polish

**plumbworld**  
**Big brands, small prices.**