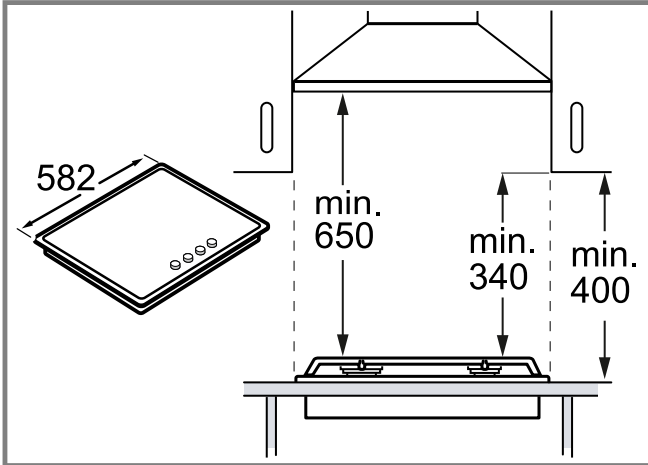




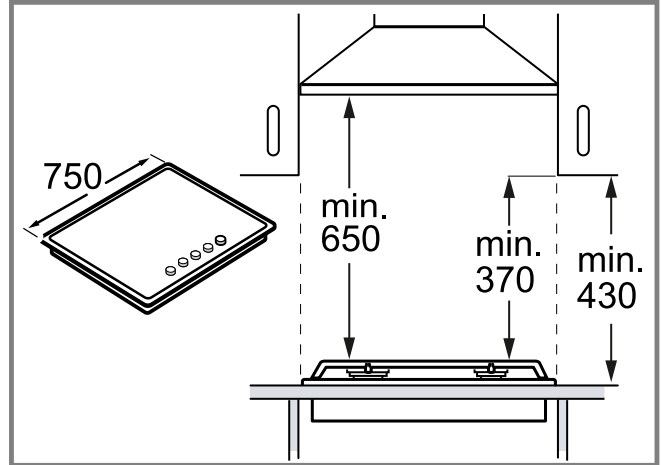
Installation instructions



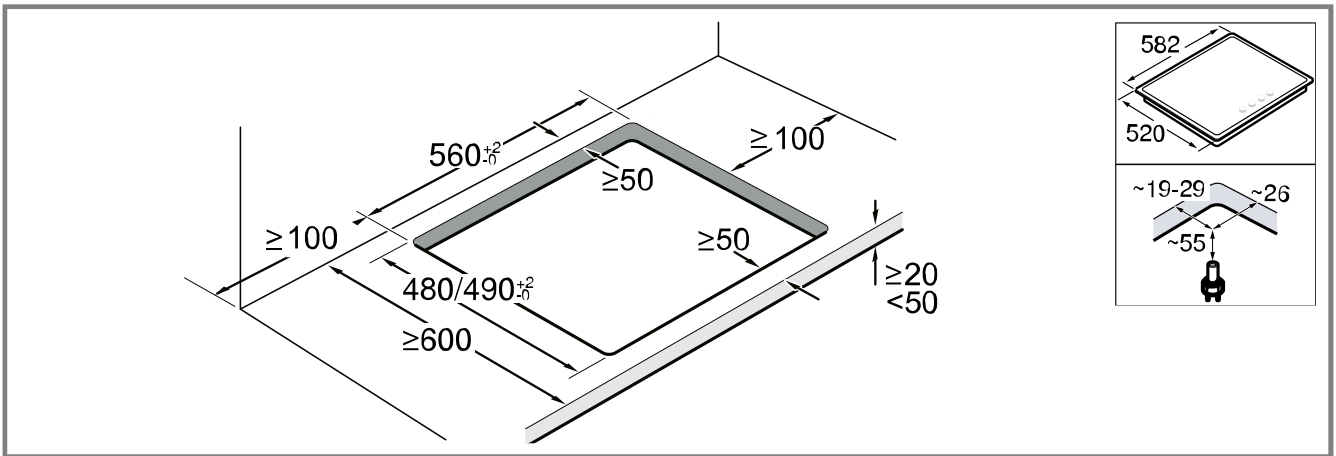
mm



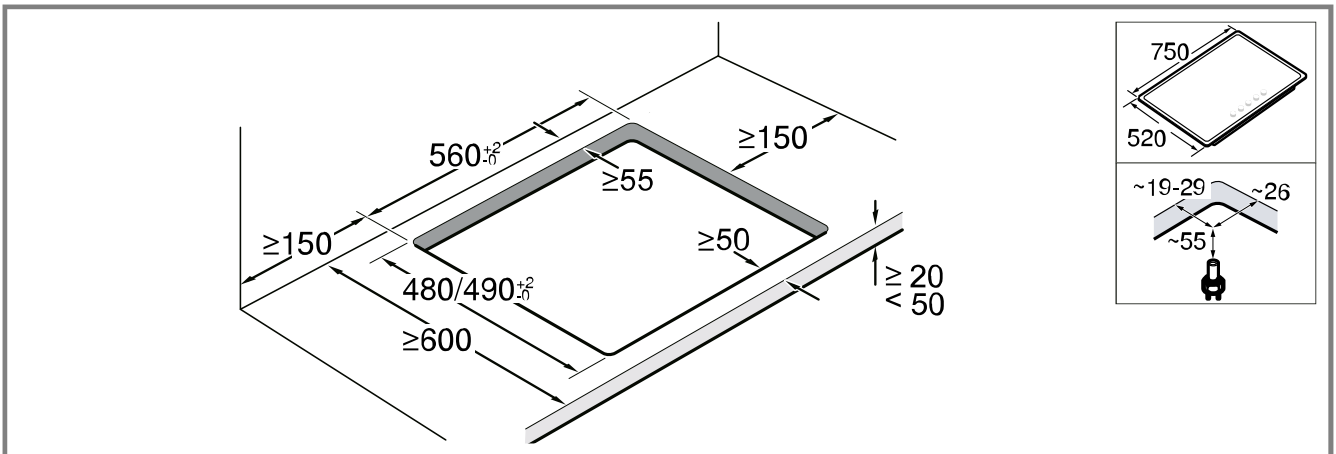
1



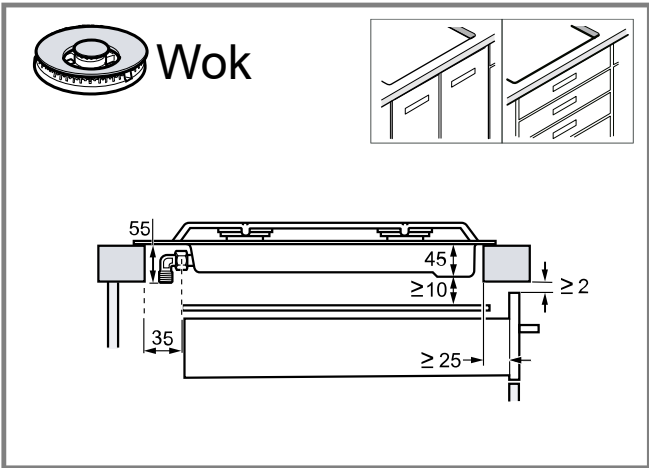
2



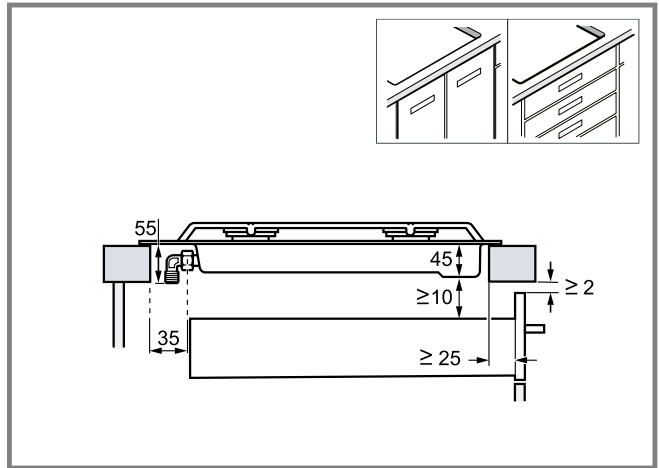
3



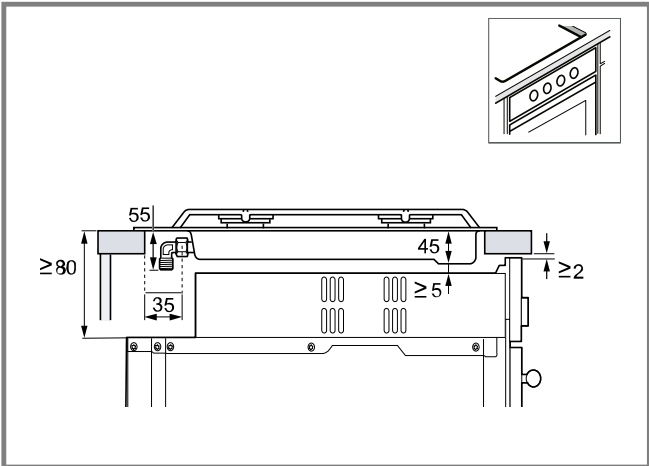
4



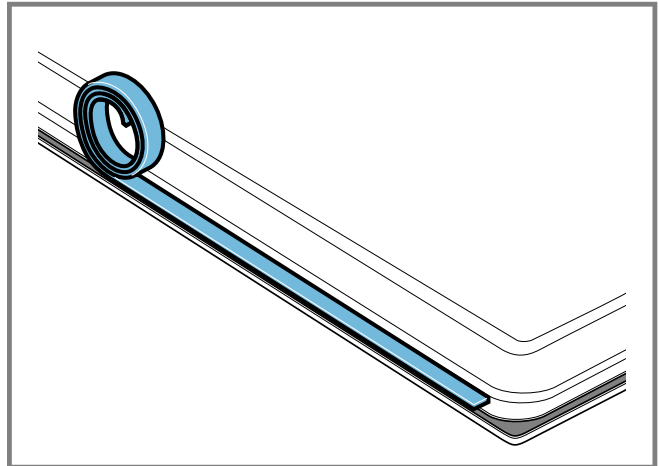
5



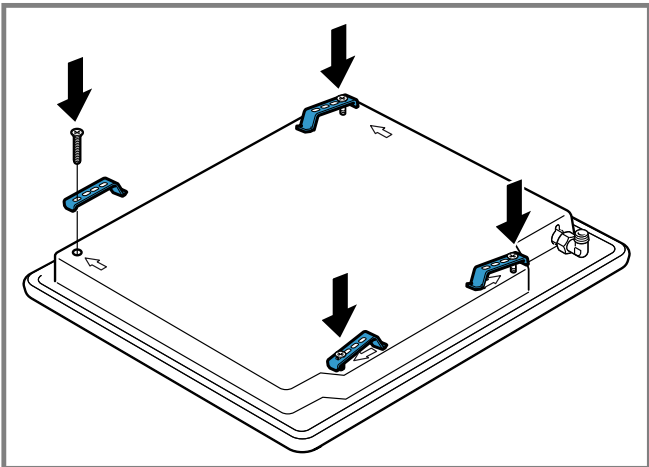
6



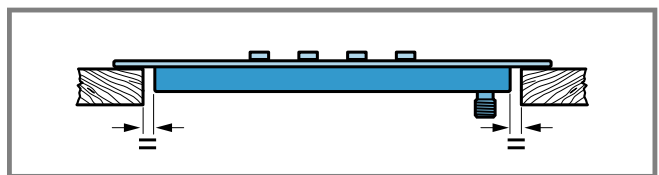
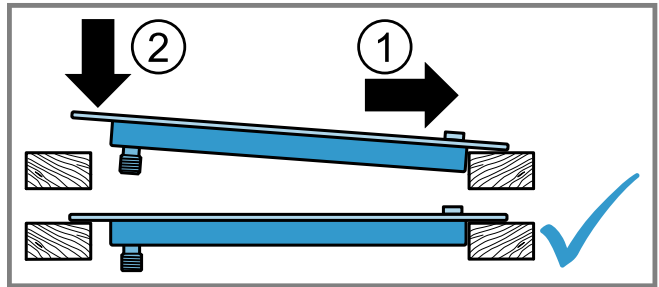
7



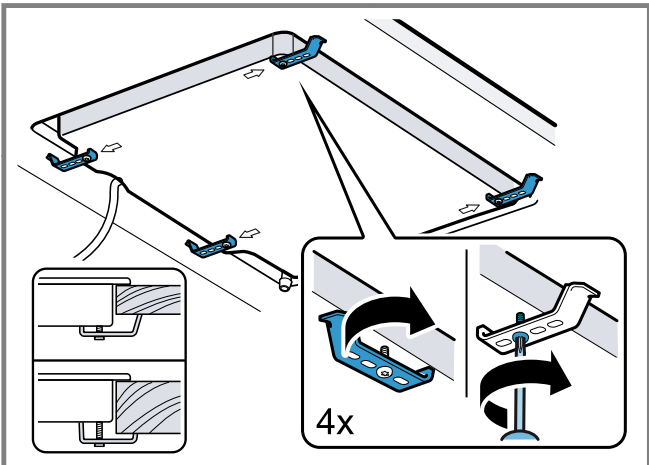
8



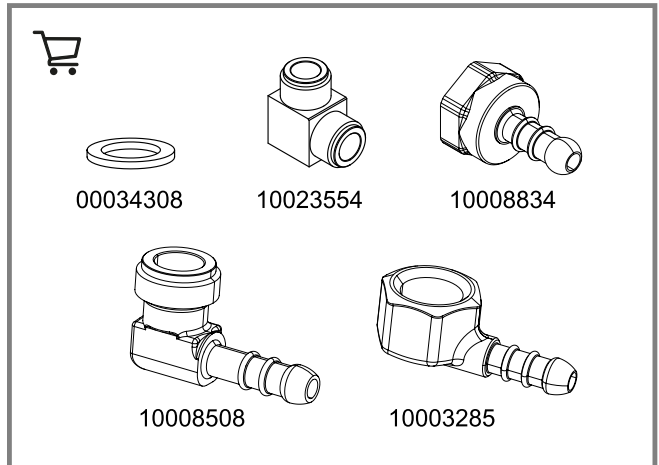
9



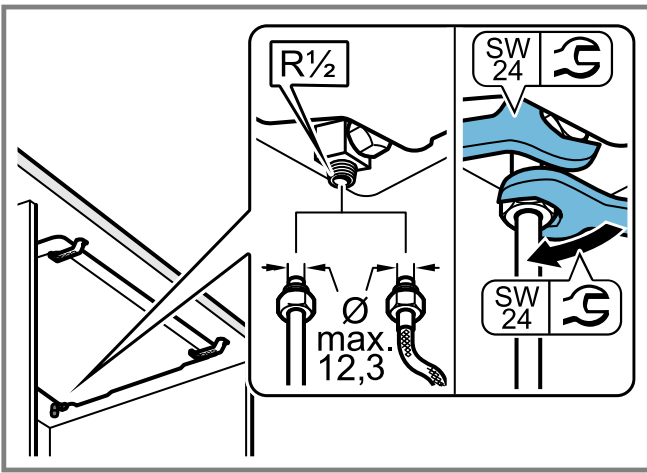
10



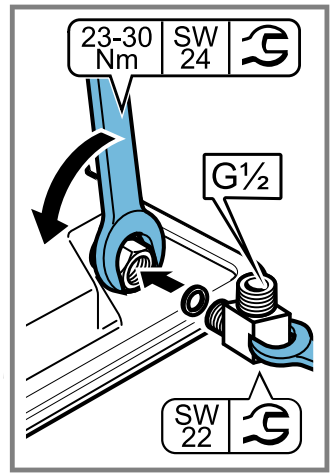
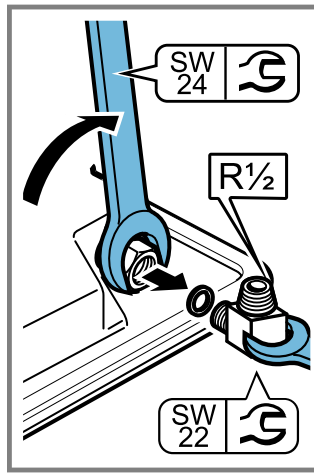
11



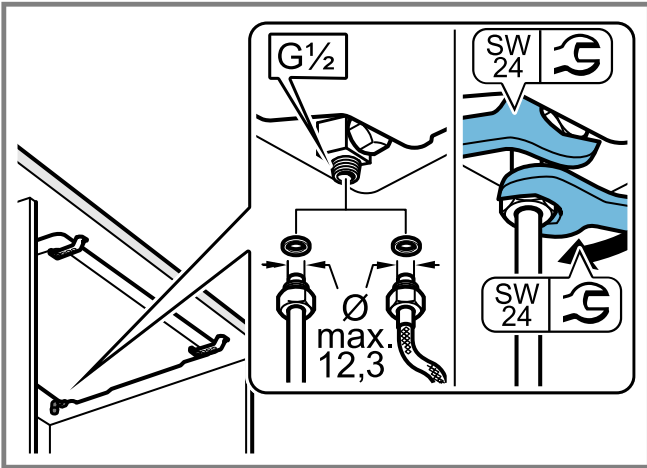
12



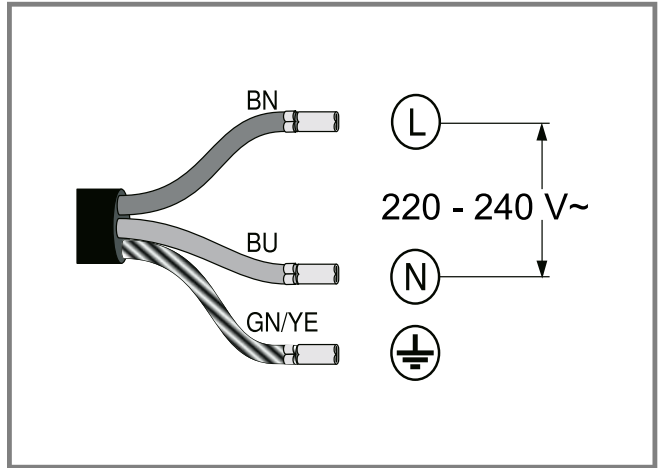
13



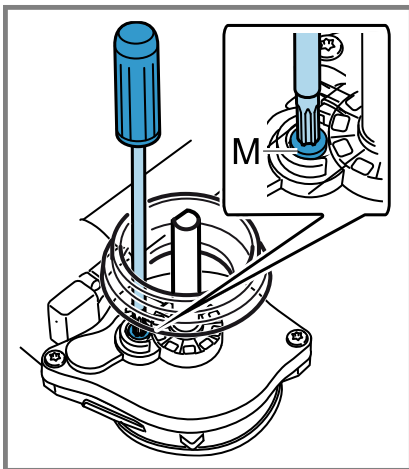
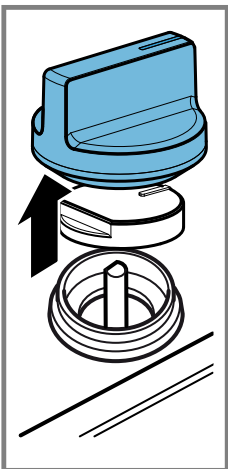
14



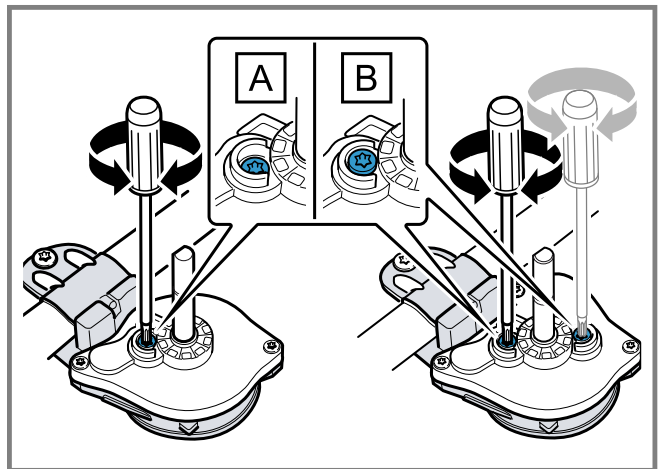
15



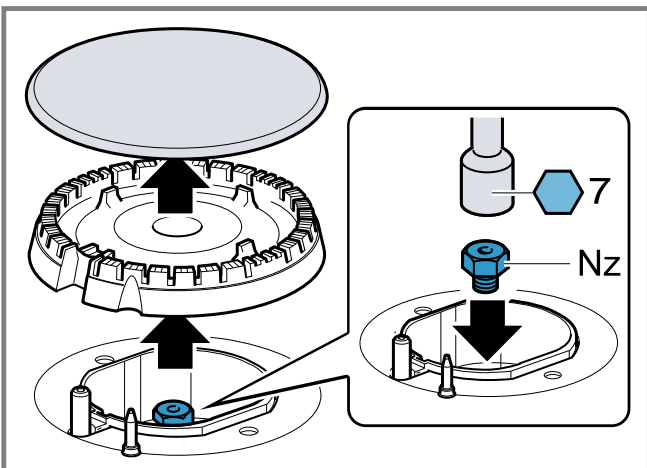
16



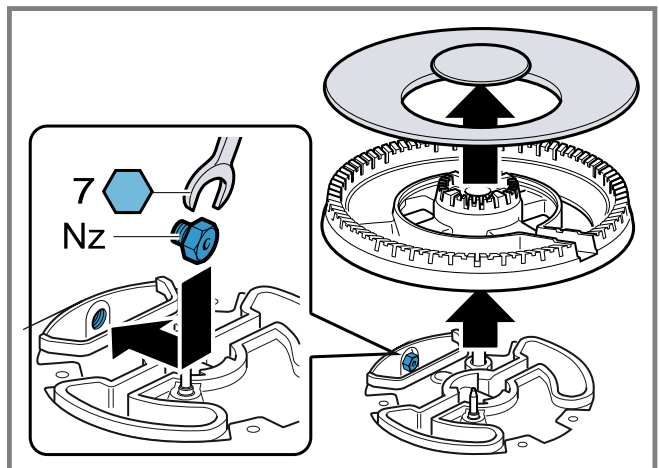
17



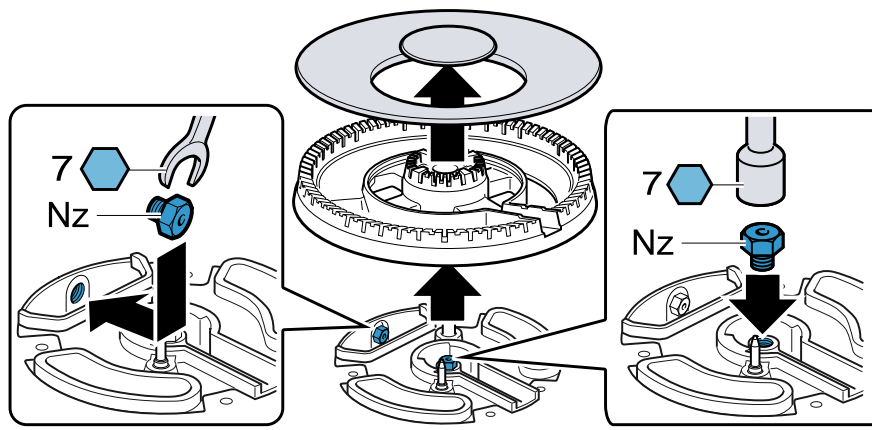
18





19





20



21

ID	Gas 	Nz 	Qn (kW)	m ³ /h	g/h	M
C	G20/20 mbar	73	1,00	0,095	-	B
C	G20/25 mbar	70	1,00	0,095	-	B
C	G25/20 mbar	75	1,00	0,111	-	B
C	G25.1/25 mbar	77	0,90	0,1	-	B
C	G25.3/25 mbar	77	1,00	0,108	-	B
C	G30/29 mbar	50	1,00	-	73	A
C	G30/37 mbar	45	1,00	-	73	A
C	G30/50 mbar	44	1,00	-	73	A
C	G31/37 mbar	50	1,00	-	71	A
D	G20/20 mbar	97	1,75	0,167	-	B
D	G20/25 mbar	91	1,75	0,167	-	B
D	G25/20 mbar	100	1,75	0,194	-	B
D	G25.1/25 mbar	95	1,60	0,177	-	B
D	G25.3/25 mbar	95	1,75	0,19	-	B
D	G30/29 mbar	66	1,75	-	127	A
D	G30/37 mbar	61	1,75	-	127	A
D	G30/50 mbar	58	1,75	-	127	A
D	G31/37 mbar	66	1,75	-	125	A
E	G20/20 mbar	128	3,00	0,286	-	B
E	G20/25 mbar	120	3,00	0,286	-	B
E	G25/20 mbar	134	3,00	0,333	-	B
E	G25.1/25 mbar	126	2,80	0,31	-	B
E	G25.3/25 mbar	126	3,00	0,325	-	B
E	G30/29 mbar	87	3,00	-	218	A
E	G30/37 mbar	80	3,00	-	218	A
E	G30/50 mbar	75	3,00	-	218	A
E	G31/37 mbar	87	3,00	-	214	A
F	G20/20 mbar	138	3,50	0,334	-	B
F	G20/25 mbar	130	3,50	0,334	-	B
F	G25/20 mbar	143	3,50	0,388	-	B
F	G25.1/25 mbar	136	3,50	0,388	-	B
F	G25.3/25 mbar	136	3,50	0,379	-	B
F	G30/29 mbar	90	3,30	-	240	A
F	G30/37 mbar	84	3,30	-	240	A
F	G30/50 mbar	71	3,30	-	240	A
F	G31/37 mbar	90	3,30	-	240	A

22

ID	Gas 	Nz 	Qn (kW)	m ³ /h	g/h	M
G	G20/20 mbar	148	4,00	0,381	-	B
G	G20/25 mbar	138	4,00	0,381	-	B
G	G25/20 mbar	154	4,00	0,443	-	B
G	G25.1/25 mbar	145	3,80	0,420	-	B
G	G25.3/25 mbar	145	4,00	0,434	-	B
G	G30/29 mbar	98	4,00	-	290	A
G	G30/37 mbar	94	4,00	-	290	A
G	G30/50 mbar	88	4,00	-	290	A
G	G31/37 mbar	98	4,00	-	285	A
H	G20/20 mbar	1 - 145 2 - 68	5,00	0,476	-	B
H	G20/25 mbar	1 - 136 2 - 70	5,00	0,476	-	B
H	G25/20 mbar	1 - 145 2 - 72	4,60	0,510	-	B
H	G25.1/25 mbar	1 - 137 2 - 75	4,40	0,487	-	B
H	G25.3/25 mbar	1 - 137 2 - 75	4,60	0,500	-	B
H	G30/29 mbar	1 - 100 2 - 45	4,60	-	334	A
H	G30/37 mbar	1 - 93 2 - 42	4,60	-	334	A
H	G30/50 mbar	1 - 83 2 - 42	4,60	-	334	A
H	G31/37 mbar	1 - 100 2 - 45	4,60	-	328	A

Safe installation

Follow these safety instructions when installing the appliance.

- Read this instruction manual carefully.
- The images shown in these instructions are for guidance only.
- The appliance can only be used safely if it is correctly installed according to the safety instructions. The installer is responsible for ensuring that the appliance works perfectly at its installation location.
- Once you have established the connections, carry out a test for leaks.

WARNING – Risk of explosion!

Escaping gas may cause an explosion.

- ▶ All Installation, connection, regulating and conversion work to a different gas type must be carried out by an authorised professional while taking into account the respective applicable regulations and legal requirements as well as the regulations regarding the local electricity and gas suppliers. Special attention must be paid to the provisions and guidelines that are applicable for the ventilation. For conversion work to a different gas type, we recommend that you call the after-sales service.

WARNING – Danger: Magnetism!



Caution: Magnetic field



Attention for persons with pacemakers
Permanent magnets are integrated in the control element bases and the control elements. Magnets may affect electronic implants, e.g. heart pacemakers or insulin pumps.

- ▶ Persons with electronic implants must stand at least 10 cm away from the magnetic control element bases and control elements.
- ▶ Never carry the control element base and the control elements on your body.

- Ensure that the kitchen is sufficiently ventilated, in particular when operating the gas cooking appliance.
- Do not connect the appliance to an exhaust gas system for combustion products.
- Never install the appliance in boats or in vehicles.
- The warranty applies only when using the appliance as intended.
- Before installing the appliance, check that the local conditions of the supplier are compatible with the appliance settings specified on the rating plate (type of gas and pressure, power, voltage).
- Secure the power cord to the cabinet to prevent it from touching hot parts of the oven or hob.
- Before any work is carried out on the appliance, switch off the power supply and the gas supply.
- Connect the appliance to the power supply using the earth.
- Do not make any changes to the inside of the appliance. If required, contact our technical customer service.

Before installing

- This appliance is a class 3 appliance in accordance with the EN 30-1-1 standard for gas appliances: Built-in appliance.
- The unit in which the appliance is installed must be stable and secured appropriately.
- The units in the vicinity of the appliance, the laminated panels and the adhesive with which they are secured must be made of non-flammable, heat-resistant materials.
- Do not install this appliance above refrigerators, washing machines, dishwashers or similar.
- The appliance must only be installed on an oven with forced ventilation. Check the dimensions of the oven in the installation instructions for the oven.
- If you install an oven underneath the hob, the work surface thickness may differ from the dimensions given in these instructions. Take note of the information in the oven installation instructions.
- If you install an exhaust air fan or an extractor hood, refer to the installation instructions for these. Always observe the minimum vertical distance to the hob.

→ Fig. 11, → Fig. 12

Preparing the units

- Make a cut-out in the worktop with the required dimensions.
- Fig. 13, → Fig. 14
- Any panel that is attached closer to the built-in niche than the specified clearance must be made of non-combustible material. Always maintain a distance of at least 5 mm between the panel and the appliance. Maximum clearances for the panel: 30 mm thickness x 70 mm height.
 - Seal the cut surfaces of wooden work surfaces with a special glue seal to protect them from moisture.

⚠ WARNING – Risk of burns!

The accessible parts may become hot during operation.

If there is no built-in oven underneath the hob and the underside of the hob is accessible, follow these instructions:

For gas hobs with wok burner, insert a non-flammable intermediate floor (e.g. metal or ply-wood) at a distance of 10 mm from the hob .

→ Fig. 5

For gas hobs without a wok burner, it is advisable to fit an intermediate floor underneath the hob .

→ Fig. 6

In both cases, the distance from the intermediate floor to the mains connection for the appliance must be at least 10 mm.

The thickness of the separator must allow for respecting the distances in the figure.

Installation above an oven

→ Fig. 7

Positioning the appliance

Note: Do not use silicone to bond the appliance to the worktop.

1. Position the hob with the upper side facing down on a flat, stable surface.
2. Apply the adhesive seal supplied to the lower edge of the hob. The adhesive seal prevents the penetration of liquids.
→ Fig. 8
3. Screw the brackets supplied into the specified position so that they can turn freely.
→ Fig. 9
4. Turn the hob around and insert it into the recess. Insert the hob in the front of the recess.
→ Fig. 10
5. Turn the brackets and tighten them fully.
→ Fig. 11
The position of the brackets depends on the worktop thickness.

Removing the appliance

1. Disconnect the appliance from the electricity and gas connections.
2. Unscrew the brackets and proceed in reverse order.

Connecting the gas

Observe the country-specific guidelines.

⚠ CAUTION – Risk of explosion!

A gas leakage may cause an explosion.

- ▶ If any connection is handled, check the seal.
- Arrange the gas connection so that the shut-off valve is accessible.
- Ensure that the information on the rating plate regarding the gas type and gas pressure complies with the local connection conditions.
- Connect the appliance to a fixed gas pipe or a flexible metal pipe.
- The flexible metal pipe must not come into contact with the moving parts of the unit in which the appliance is installed (e.g. a drawer) and must not be routed through any spaces which might become obstructed.
- Gas connection elbow on the appliance: R 1/2.
- Do not move or twist the gas connection elbow.

Connection to gas cylinder or liquid gas tank

- ▶ If the flame is large or unstable, check that the regulator of the gas cylinder or liquid gas tank is working properly.

Note: You can install an overpressure safety device that limits or cuts off the gas supply if the regulator of the gas cylinder or liquid gas tank fails.

Spare parts for gas connection

If the country's regulations allow, you can obtain the gas connection parts from the technical customer service.

→ Fig. 12

Gas connection R 1/2

→ Fig. 13

Gas connection G 1/2

1. Replace the gas connection elbow on the appliance with the gas connection elbow G 1/2 supplied in the accessory bag.
→ Fig. 14
2. Insert the seal between the gas connection of the appliance and the gas supply.

→ Fig. 15

Electrical connection

- This appliance is type Y: The connection cable must only be replaced by technical customer service and not by the user. The cable type and the minimum cross section must be respected.
- The hobs are supplied with a power cord with or without a plug.
- The power cable must only be replaced with a cable from the original manufacturer. This is available from after-sales service.
- Do not use extension cables or multiple socket strips.
- Only connect appliances that are fitted with a plug to a correctly installed socket with protective earth conductor.
- Connect the appliance to a fixed installation and set up appropriate isolating switches in accordance with the installation regulations.

→ Fig. 16

- BN: Brown
- BU: Blue
- GN/YE: Green and yellow

Converting the gas type

If the country's regulations allow, this appliance can be adapted to other types of gas, if these are listed on the rating plate.

You can find the right parts in the bag that is supplied with the appliance or you can obtain them from customer service. The table → Fig. 22 shows the right combination for the relevant burner and gas type.

C	Economy burner
D	Standard-output burner
E	High-output burner
F	Mini-wok multi-crown burner
G	Wok multi-crown burner
H	Dual-wok multi-crown burner
	■ 1 - Outer flame
	■ 2 - Inner flame

Adjusting the taps

1. Set the control elements to the minimum power level and pull them out. Remove the plinth for the control elements.

2. To access the bypass screw, use the tip of the screwdriver to push down on the flexible rubber holder.

→ Fig. 17

Never remove the sealing ring. Sealing rings prevent liquids and dirt from finding their way into the appliance and impairing its ability to function properly.

3. When adjusting the bypass screws (M), refer to the table → Fig. 22.
 - A: Firmly tighten the bypass screws.
 - B: The bypass screws must be flush with the fitting.

→ Fig. 18

Replacing the nozzles

1. Remove all pan supports, burner caps and distributors.
 2. Replace the nozzles using the appropriate wrench and tighten them carefully to guarantee the seal.
→ Fig. 19, → Fig. 20, → Fig. 21
- Ensure that the nozzle does not become detached during removal or fastening.

Reinstalling the appliance

- ▶ Install the appliance components in reverse order.

Checking if equipment is working

1. Check that turning the rotary knob between the position for maximum power and the position for minimum power does not cause the burner to go out or result in backfire.
2. If the gas flow from the burner is not correct, in the table → Fig. 22, check whether the nozzle and the position of the bypass screw are correct.

Documenting the gas type conversion

- ▶ Attach the sticker showing the new gas type near to the rating plate.