

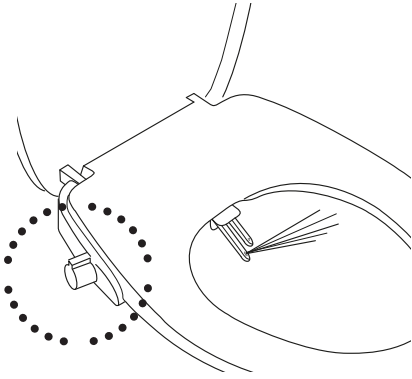
BEMIS PURE CLEAN BIDET TOILET SEAT

Instruction manual

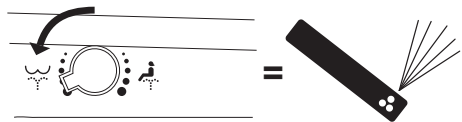
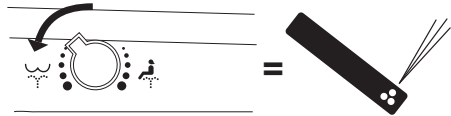
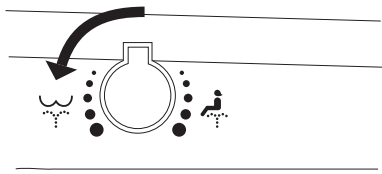
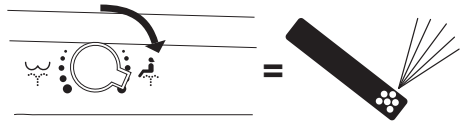
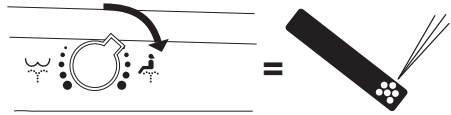
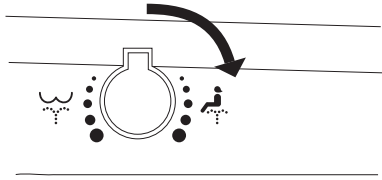


Important: Read instructions before use





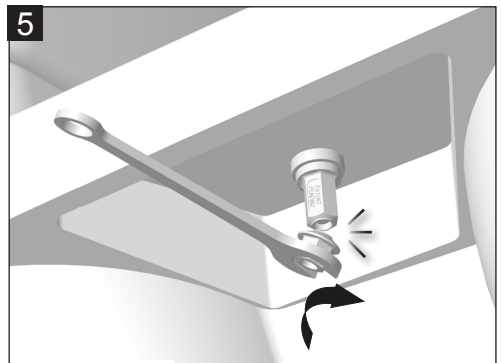
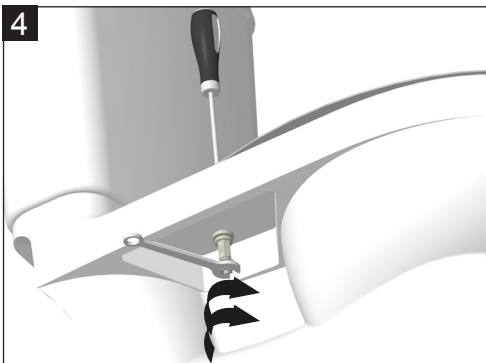
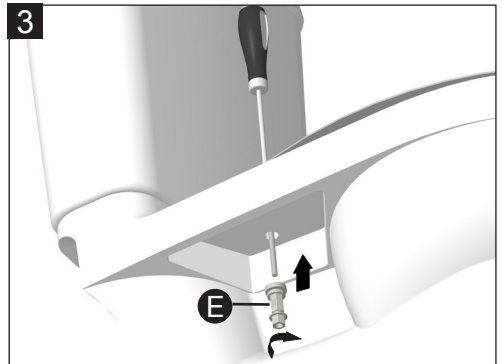
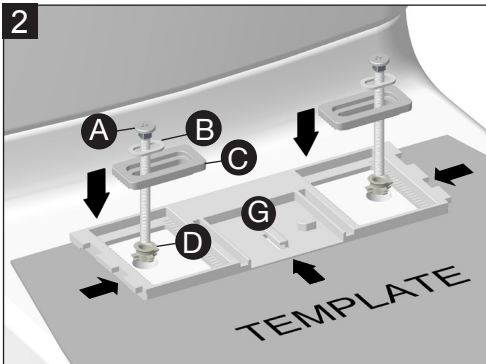
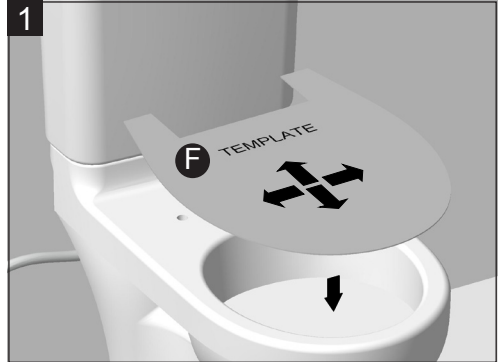
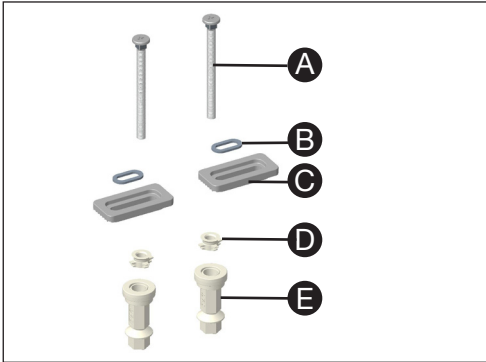
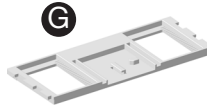
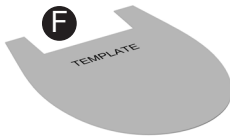
User manual



A



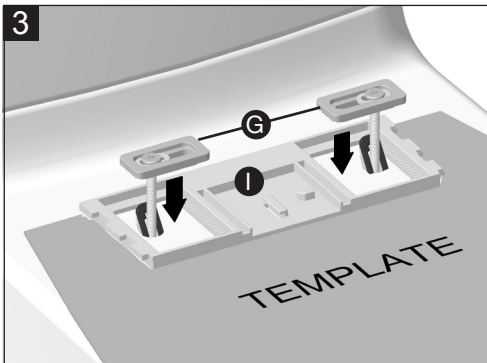
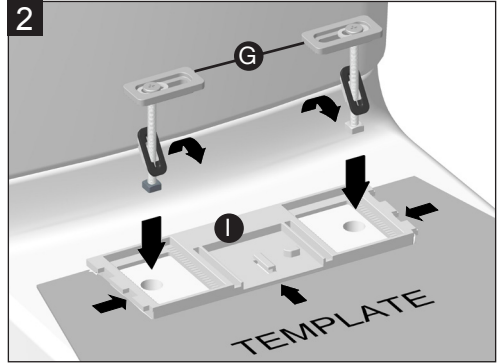
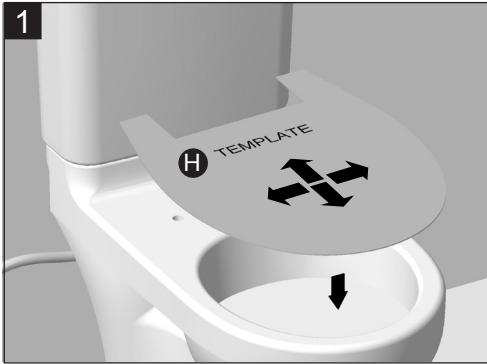
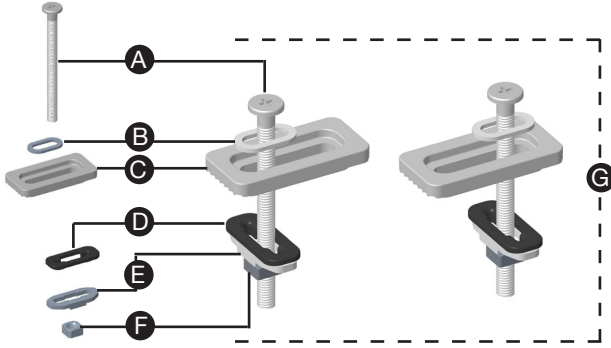
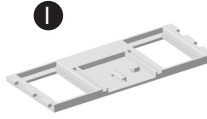
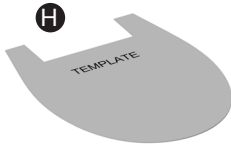
Bottom fixation



B

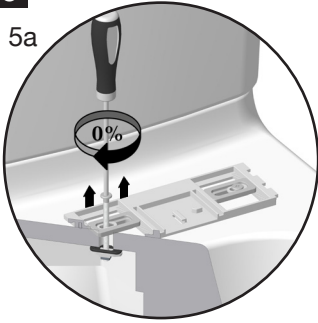


Top fixation

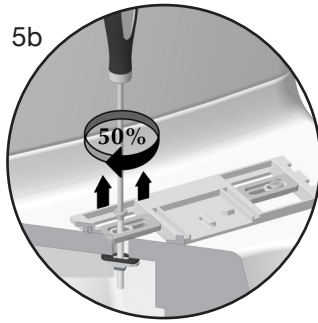


5

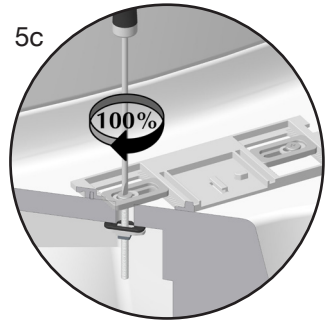
5a



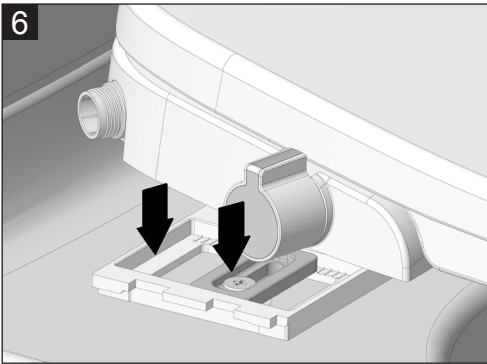
5b



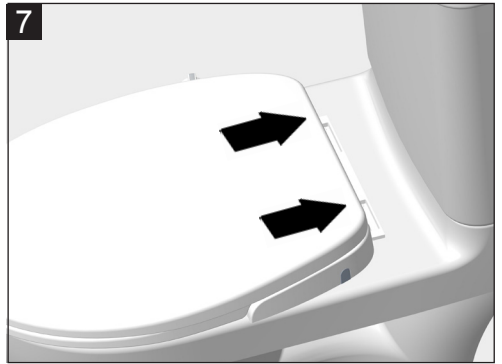
5c



6

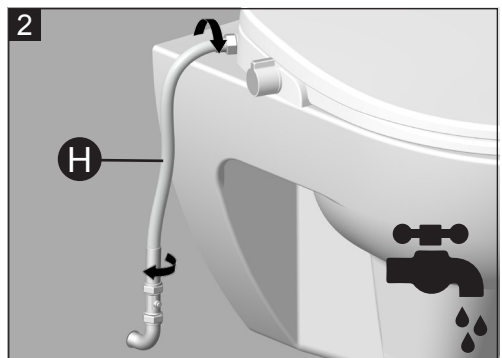
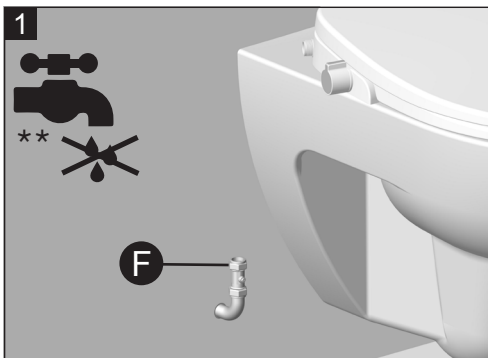
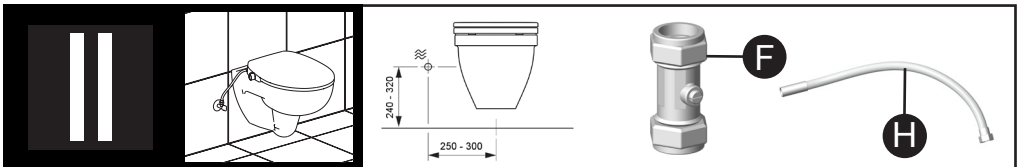
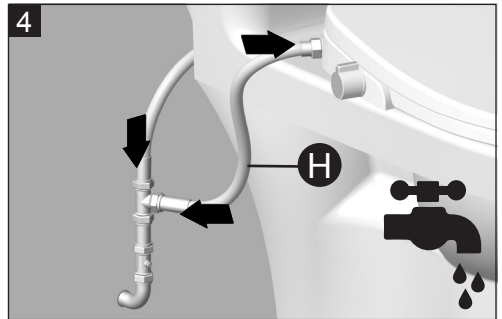
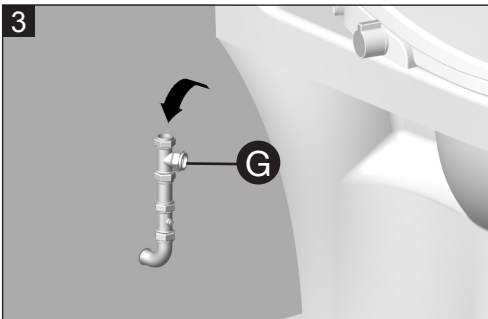
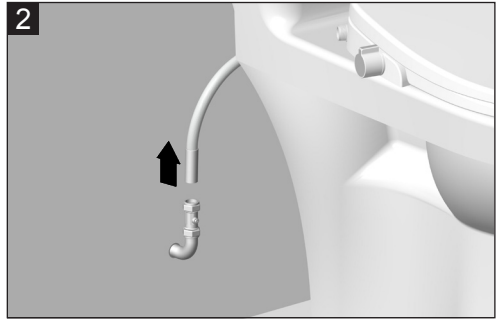
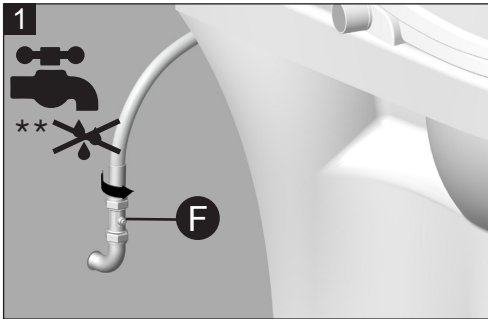
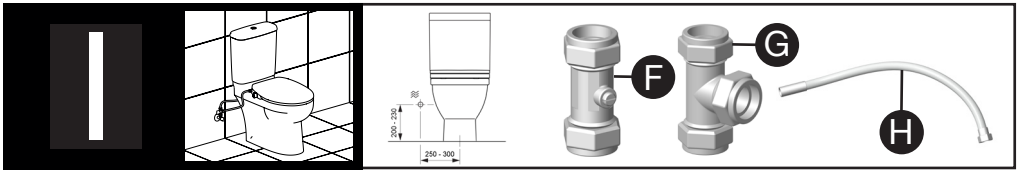


7

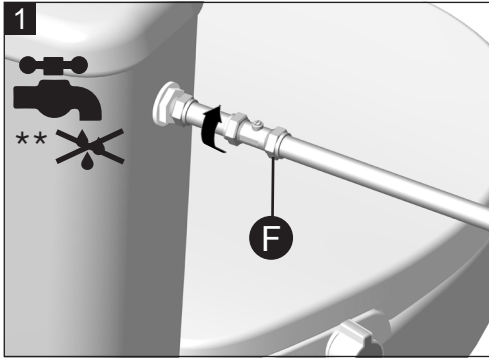
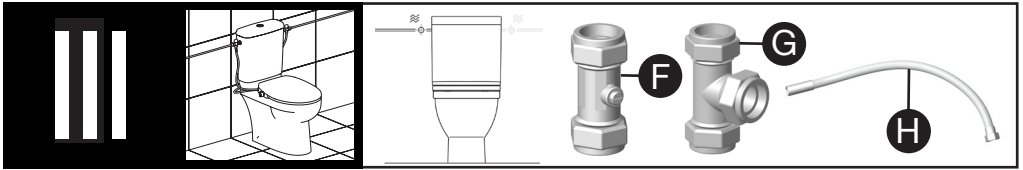


8

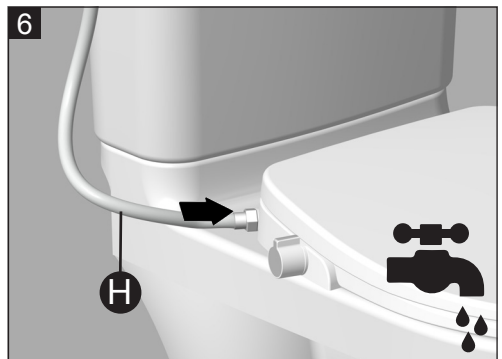
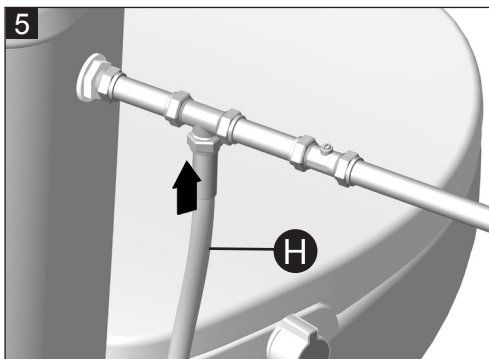
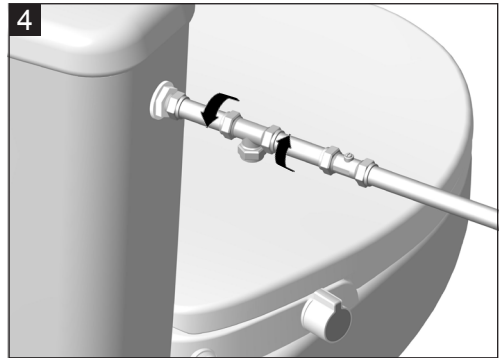
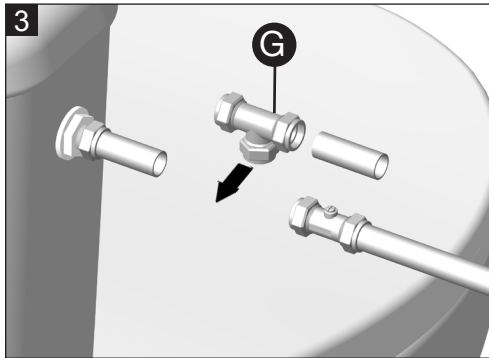
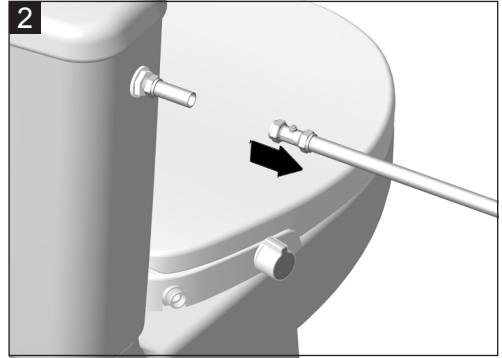




** Close the water connection.



**Close the water connection.

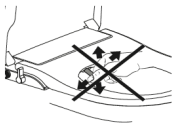




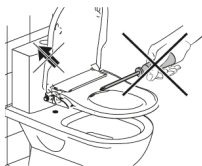
PROBLEM	POSSIBLE CAUSES	SOLUTION
Water does not spray.	Water supply is closed.	Turn on water supply.
	Connection hose is bent.	Straighten connection hose.
Low water pressure.	Water pressure is set too low.	Increase water pressure. Optimum water pressure for best performance is between 0.7 and 7 bars.
Water flows from nozzle before or after use.	Nozzle self-cleaning.	Water that comes out before or after wash cycle is residual / self cleaning and not a malfunction.
Water leaks from other areas other than nozzle.	Water leaking from T-valve or bidet hose connection.	Make sure rubber gasket is seated correctly and attached firmly. Do not over tighten.
	Water pressure is too high.	Verify if your water pressure is between 0.7 - 7 bars. High water pressure can cause leaks.



Warning. Do Not stand on the lid or ring.



! Do not bend or distort the nozzle. This might cause product damage and/or performance reduction.



! In case of a defect, do not disassemble or repair the product independently, this can cause damage and/or performance reduction.



Only use warm soapy water (e.g. washing-up liquid) and a soft cloth to clean the surface & hinges. Do not use harsh abrasives or cleaners containing bleach or alcohol to clean your toilet seat (e.g. general bathroom cleaners and wipes), as this can damage the surface of the seat and the hinge and is not covered by warranty. Do ensure that when cleaning your toilet ceramic with a strong bleach that the seat and cover remain in the upright position until the bleach has been flushed away. Wipe away urine splashes immediately with water.

Warranty: 2 years - This product is guaranteed against defects in material and workmanship for a period of 2 years from date of purchase. If the product is defective, the exclusive remedy will be a replacement product of equal value. The warranty will not extend with replacement. Within the first year, please contact your point of purchase. Expenses for removal and replacement are not covered. The warranty is voided without a valid proof of purchase. This Limited Warranty is voided if the product has not been installed, used, or maintained according to the instructions, if the product has not been used for the intended application, or if it has been modified or repaired without Bemis's express written permission.



www.bemisemea.com