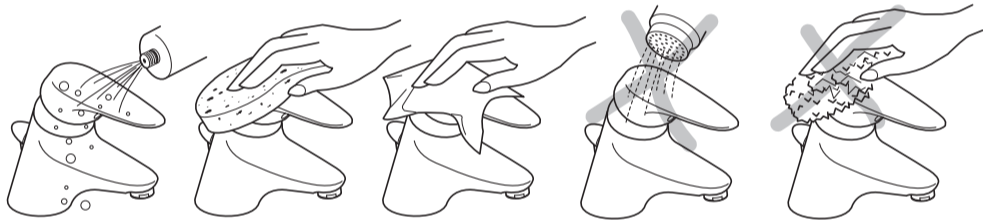




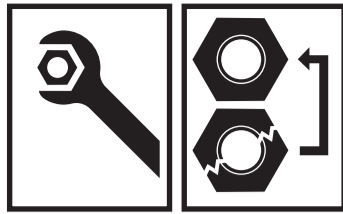
Maintenance /

GB Clean immediately after use using only mild detergent and dry with a soft dry cloth.



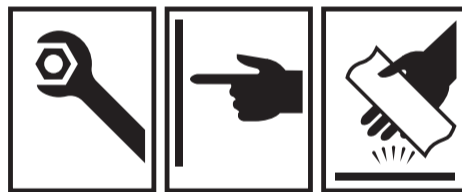
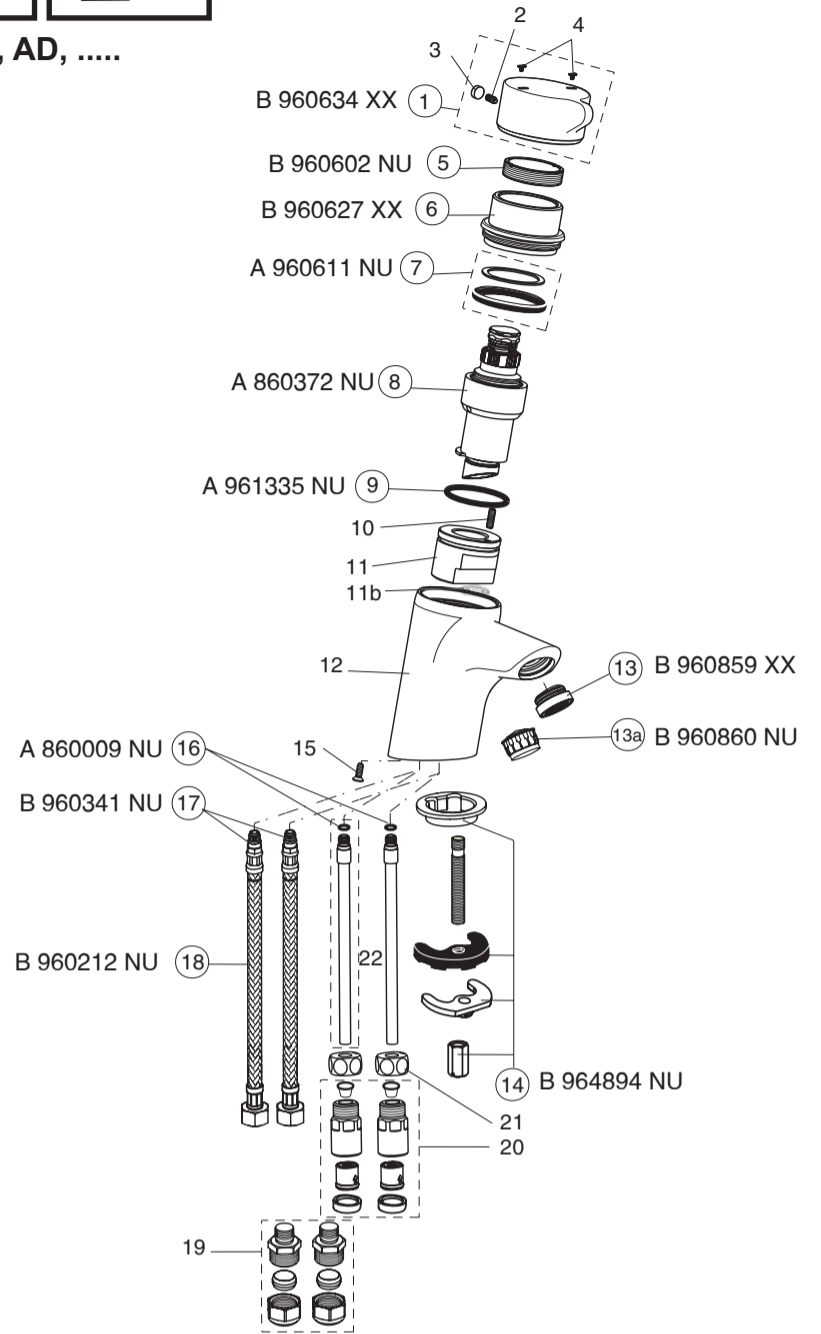
GB

Armitage Shanks Limited  
Armitage, Rugeley  
Staffordshire WS15 4BT  
Tel.: 01543 490253



XX = AA, AD, .....

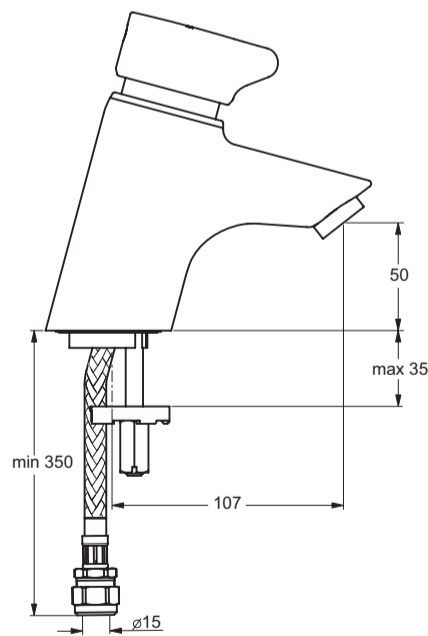
Ordering spares



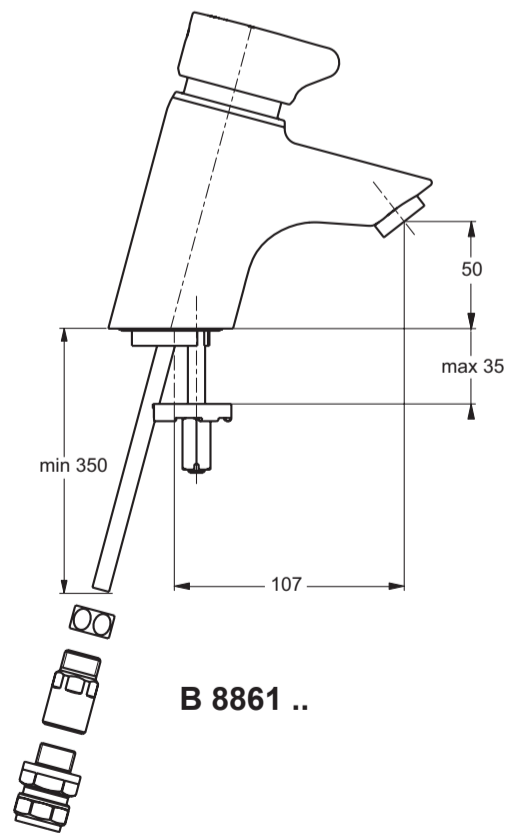
Armitage  
Shanks

AVON 21

02.2010 / B 865286



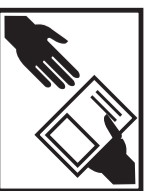
B 8263 .. (WTL)



B 8861 ..

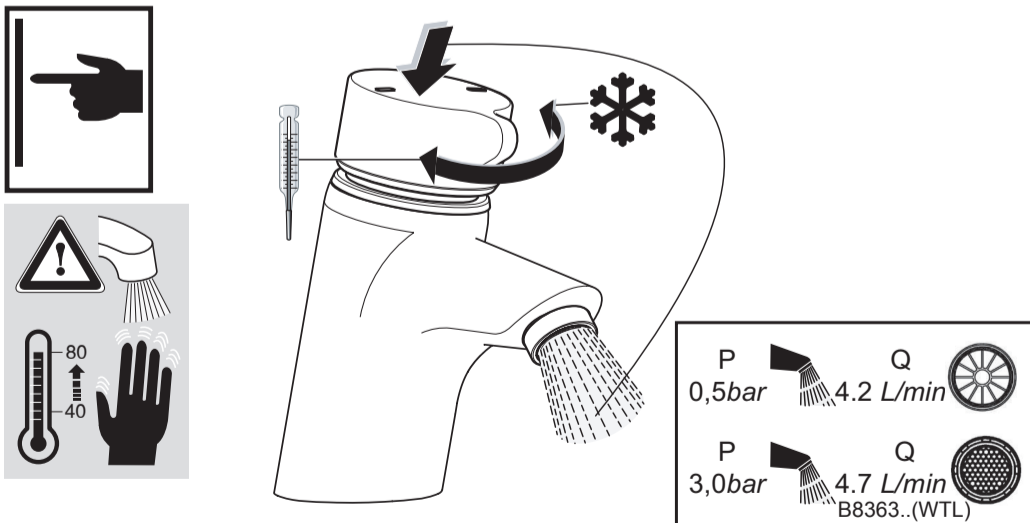
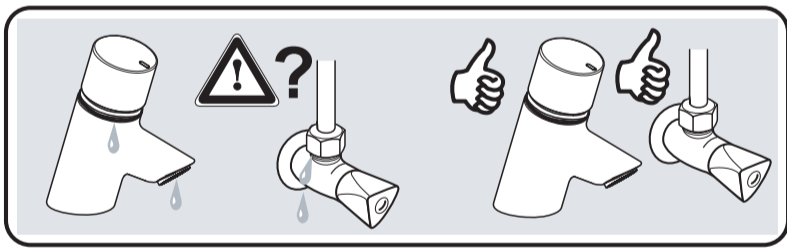
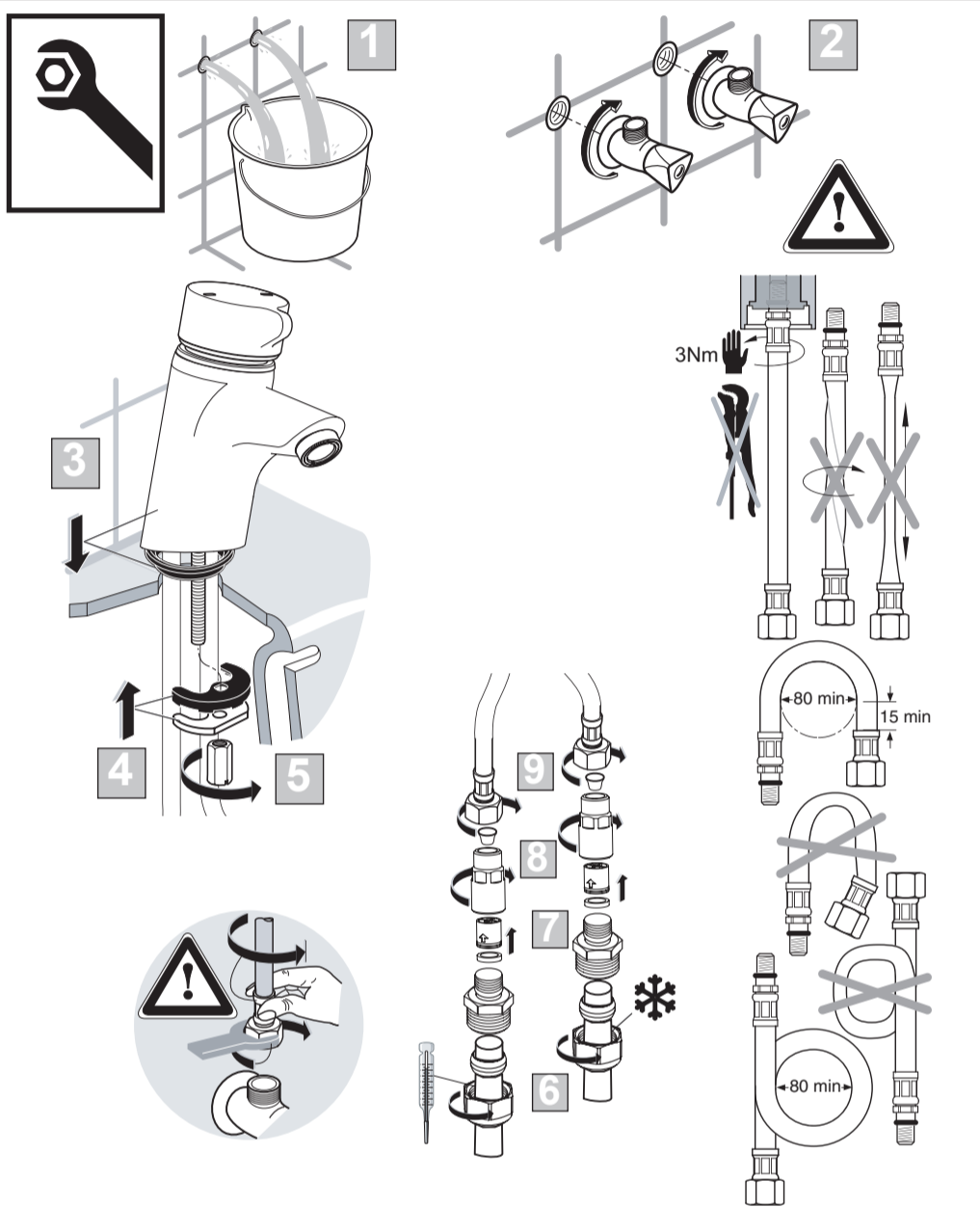


After Sales - A full range of spares are available through our Fastpart Service.  
Hot Line Telephone Number 0870 1258842





GB Guarantee only when installed by qualified plumber!



	P	bar		MAX. 10		0,5			Q	(3 bar)
	T	C		MAX. 80		65			40	
										L/min

