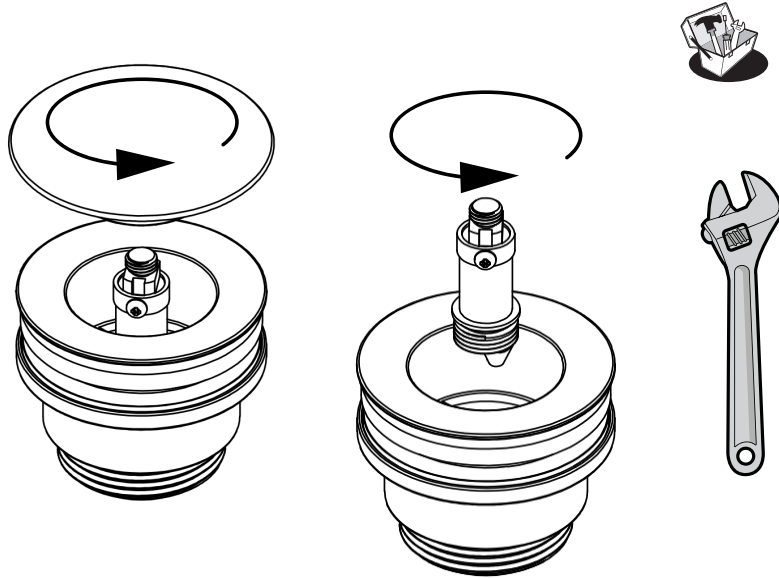
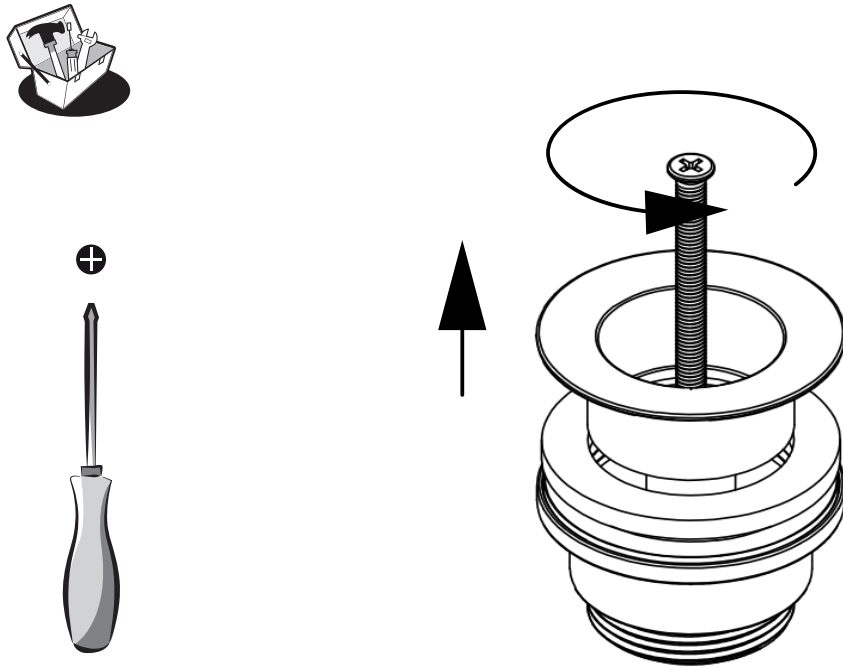


Step 1:

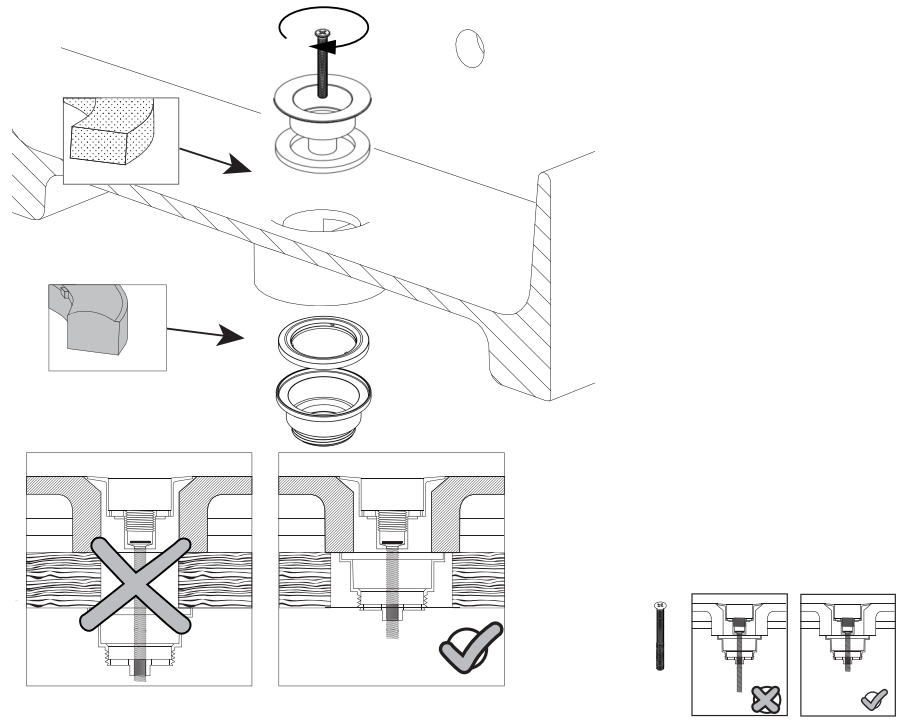


Step 2:



INSTRUCTION MANUAL

Step 3:



Step 4:

