

Manual installation

General Information & Care Guide

General Information

Prior to installation, please ensure that your plumbing system is adequate and that all pipes have been sufficiently flushed out.

The main cold water supply must be turned off. The mains stopcock is usually found where the supply enters the building.

It is also recommended that any hot water heating systems are turned off at this stage. The water system should then be fully drained.

Please keep these instructions for future reference.

Plumbing Systems

All products are suitable for all UK Water Authority supply pressures.

If the taps are installed at low pressure (tank fed), then the minimum height from the outlet of the nozzle to the underside of the cold tank should be 1.8 metres to ensure adequate performance.

PLEASE NOTE: These taps should be installed in accordance with the current Water Regulations.

Any claims that may arise will be dealt with on the basis that isolating valves are fitted.

Water Pressure

We recommend the following minimum pressures to ensure efficient operation of your taps;

Bath Taps	0.5 Bar
Basin & Sink Taps	0.5 Bar

Cleaning

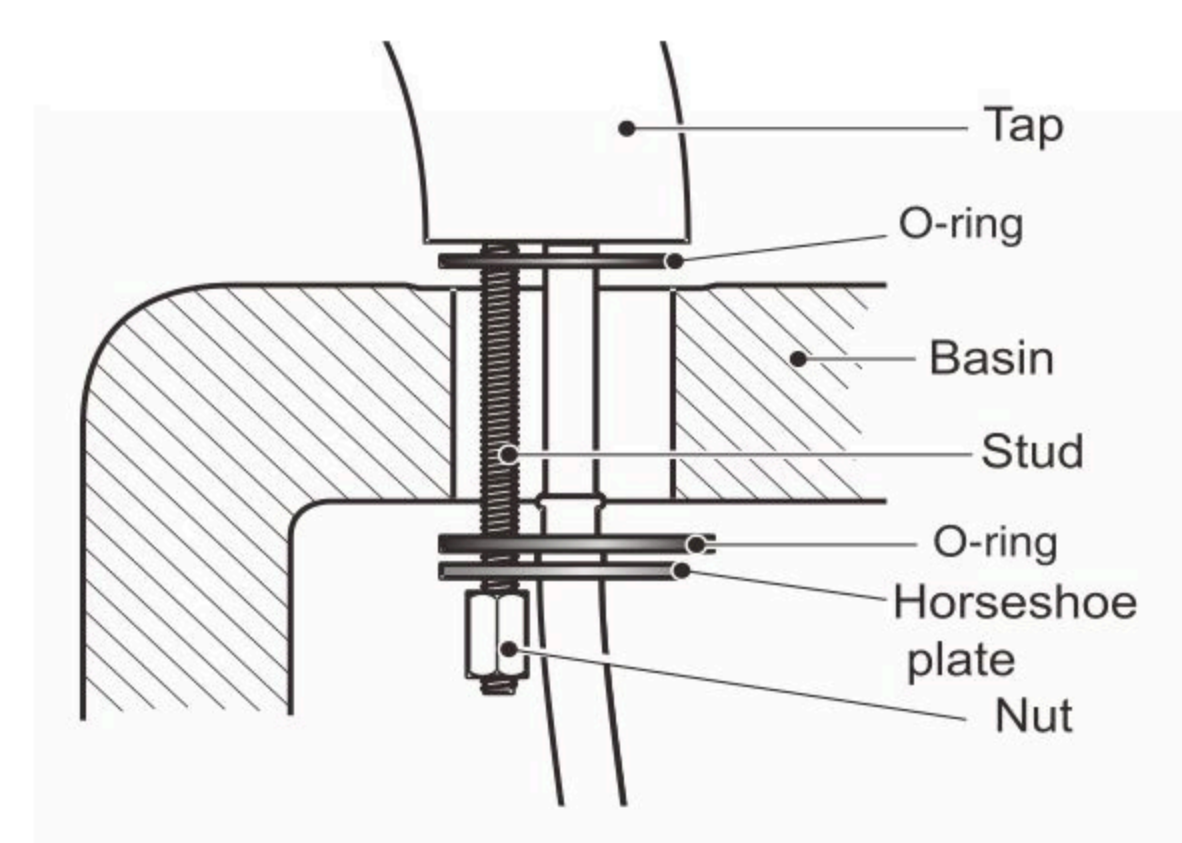
Chrome and gold plated finishes should be cleaned with warm water and a soft cloth, rinsed and dried immediately, then buffed with a dry soft cloth.

Under no circumstances must any aggressive or abrasive cleaning agents be used. The use of any abrasive agents or materials will invalidate the guarantee.

Installation Instructions

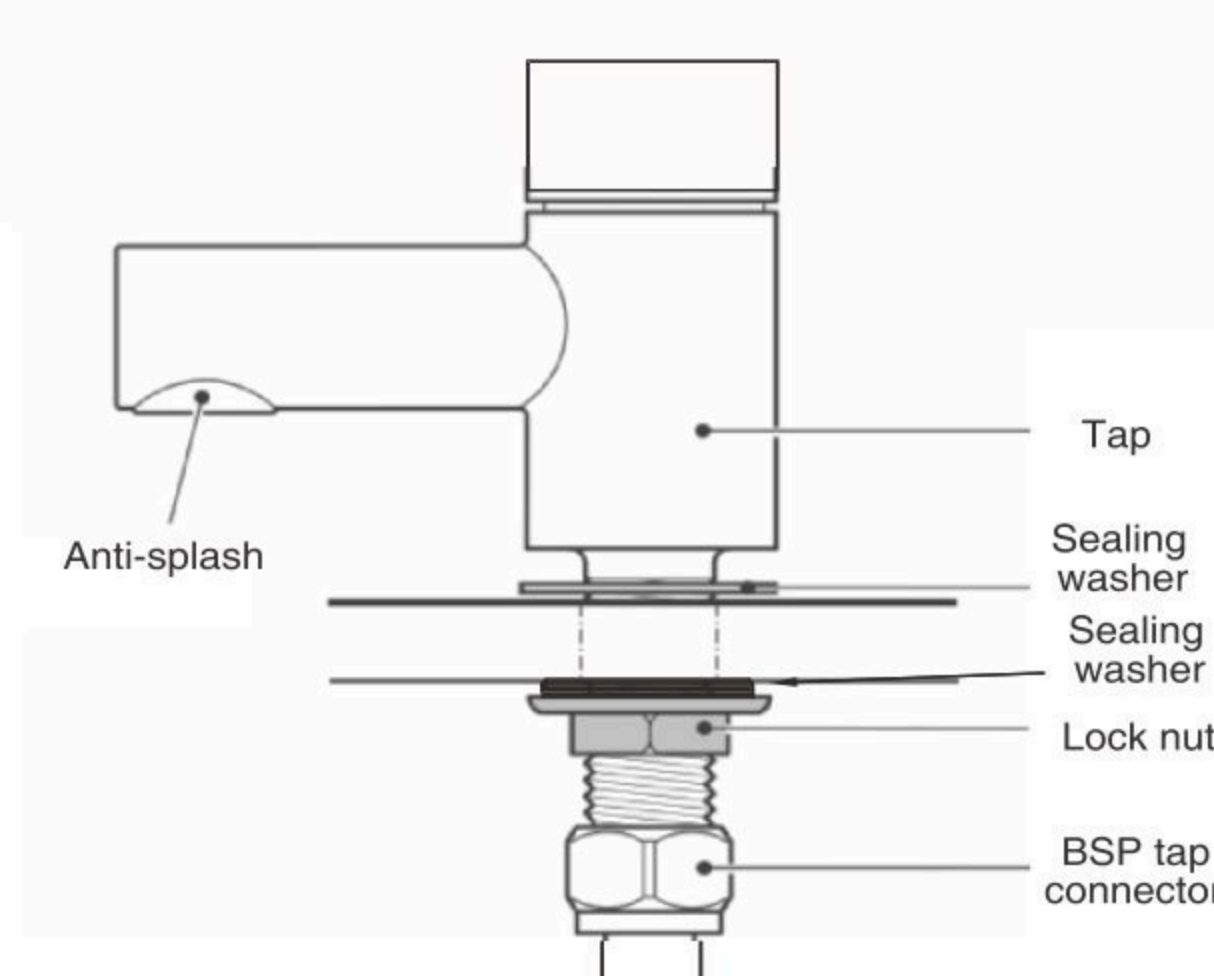
Mono Basin Taps

1. Fit the O-ring to the base on the tap. Some of the models also have a base plate.
2. Screw the stud into the base of the tap, securing tightly
3. Fit the two braided hoses to the base of the tap securing tightly
4. Feed the braided hoses through the tap hole in the basin and place the tap on the basin ensuring the seal between the tap & the basin is sitting correctly.
5. Fit the second O-ring and the horseshoe plate onto the stud and secure with the hexagon nut. Tighten to ensure the two silicon seals are compressed and the tap cannot move.
6. Connect the two braided hoses to your water supply ensuring hot and cold are connected correctly
7. Test for leaks & tighten as necessary



Deck Bath Filler

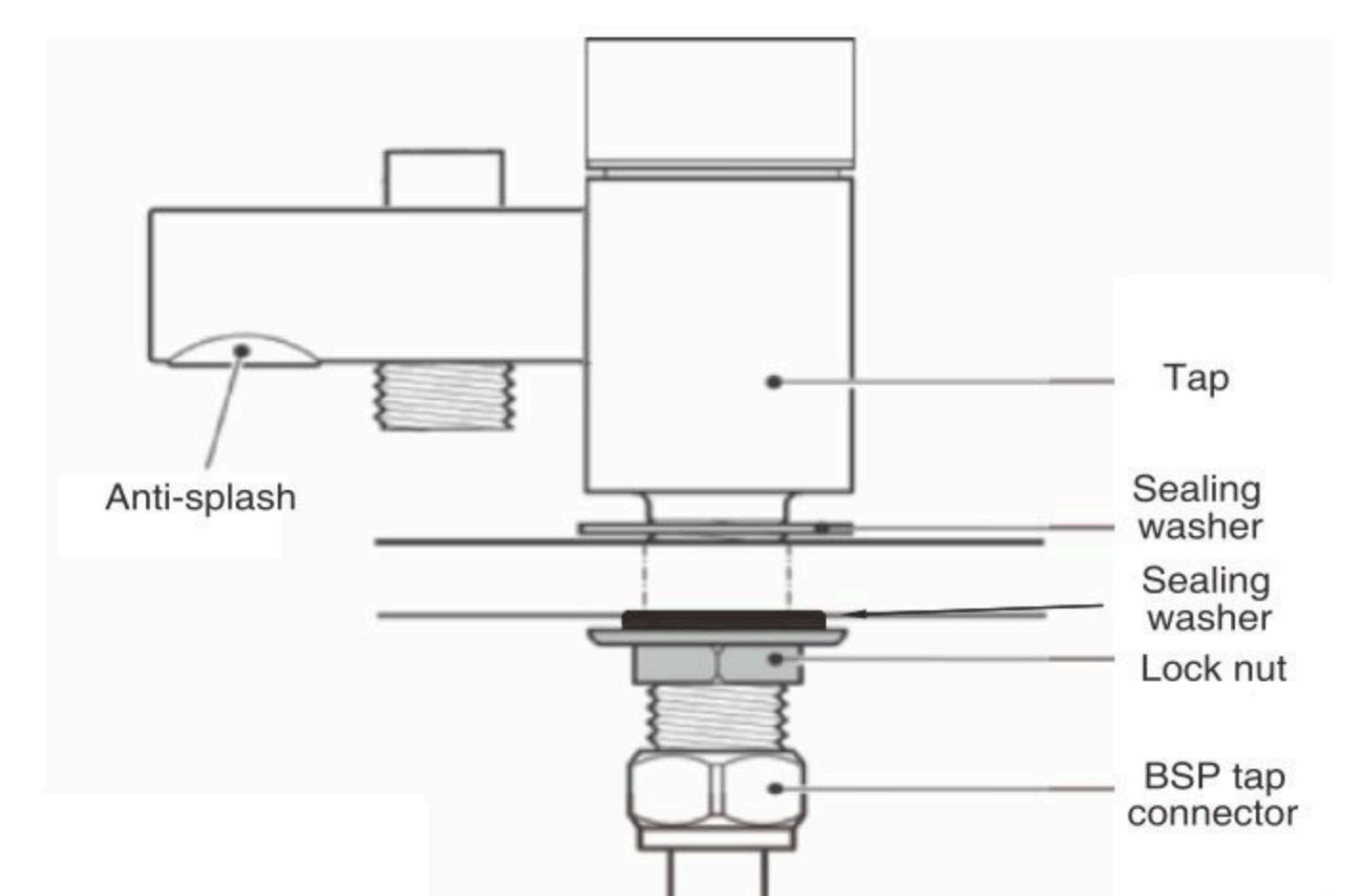
1. Fit 2 Sealing Washers to the hot and cold threaded tails on the bath filler.
2. Position the bath filler onto the bath ensuring that the seals are located correctly. Some bath taps also have base plates.
3. Fit 2 sealing washers & lock nuts to the threaded tails on the underside of the bath and secure tightly ensuring the sealing washers are compressed and the tap cannot move.
4. Connect the hot and cold water supply to the two 3/4" threaded tails ensuring hot and cold is connected correctly
5. Test for leaks & tighten as necessary



Bath & Shower Mixer

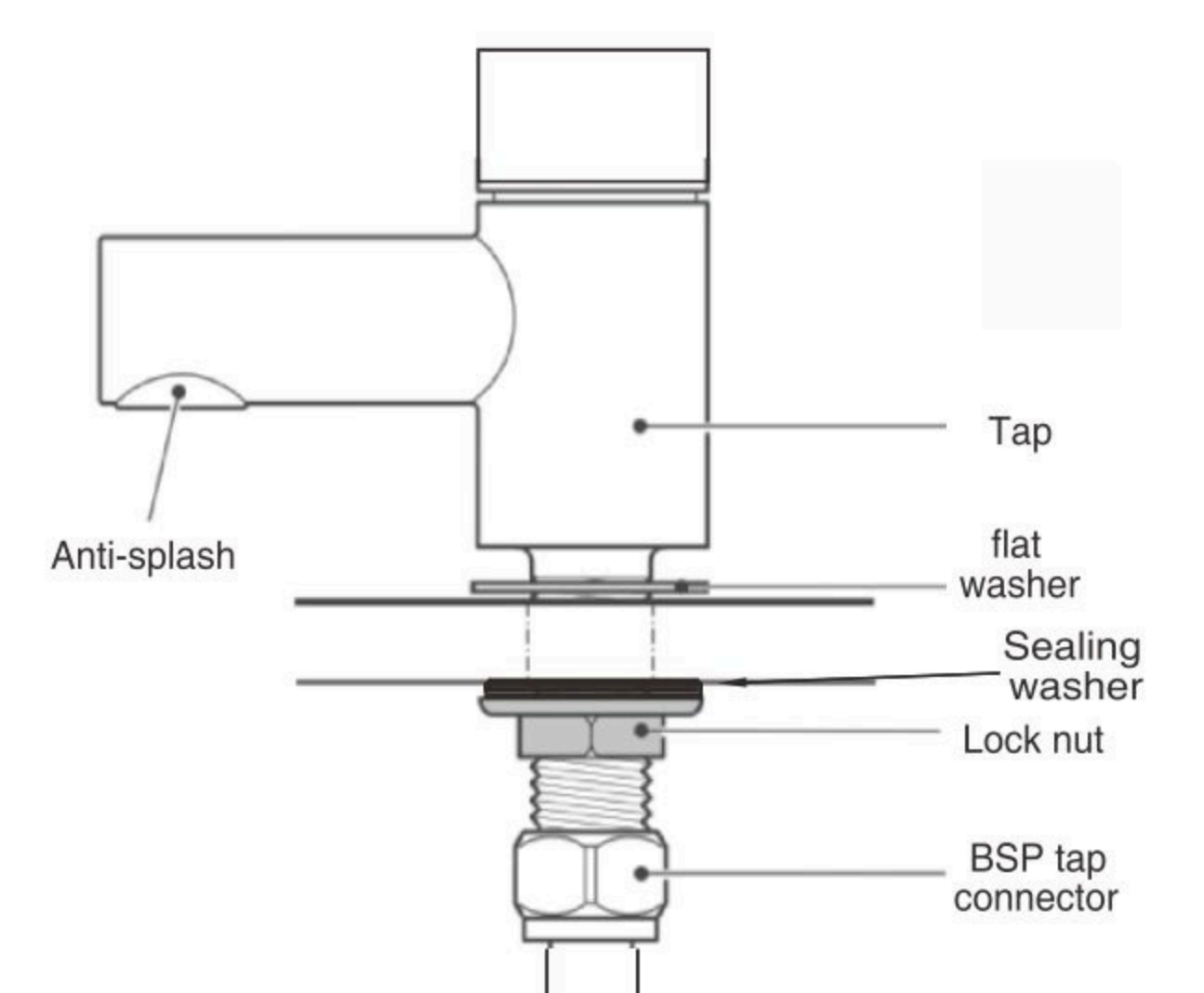
Follow the instructions for fitting the Deck bath filler and then –

1. Connect the supplied shower hose to the threaded connector on the bath & shower mixer nozzle and secure the handset to the other end of the hose.
2. Position and fasten the wall bracket in the required position.
3. Test for leaks & tighten as necessary



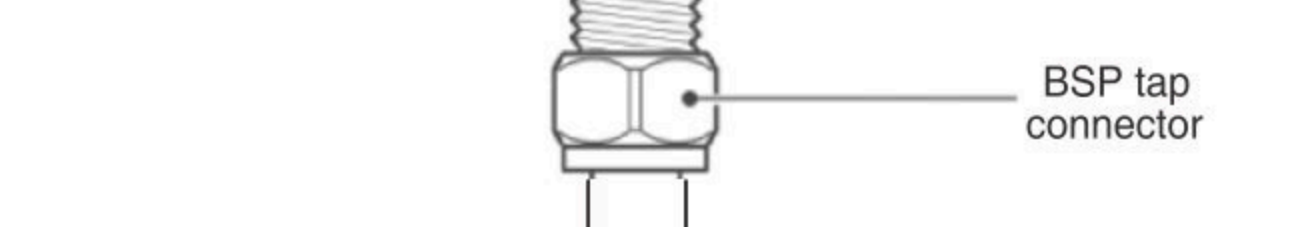
Pair 1/2" Basin Taps

1. Fit the flat washers to the base of the taps and fit to the basin ensuring hot and cold taps are correctly positioned. Secure with hexagon locking nuts
2. Connect the water supply to the 1/2" threaded tails ensuring hot and cold is connected correctly
3. Test for leaks & tighten as necessary



Pair 3/4" Bath Taps

1. Fit the flat washers to the base of the taps and fit to the basin ensuring hot and cold taps are correctly positioned. Secure with hexagon locking nuts
2. Connect the water supply to the 3/4" threaded tails ensuring hot and cold is connected correctly
3. Test for leaks & tighten as necessary



After care

Chrome surfaces should only be cleaned with a soft, non-abrasive cloth and clean water