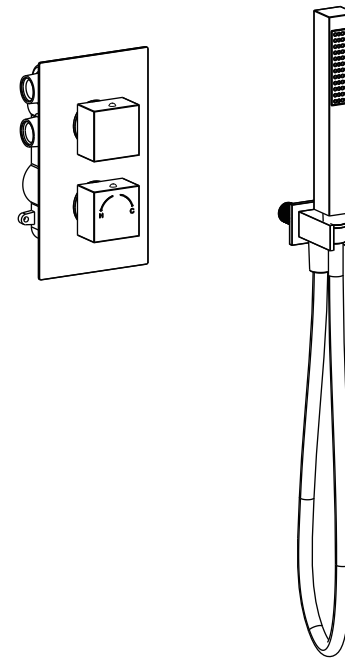
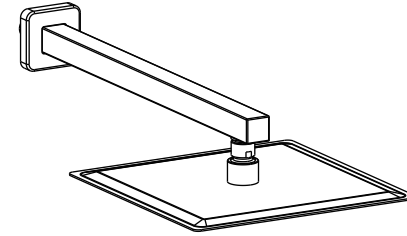


Square concealed shower set with handset



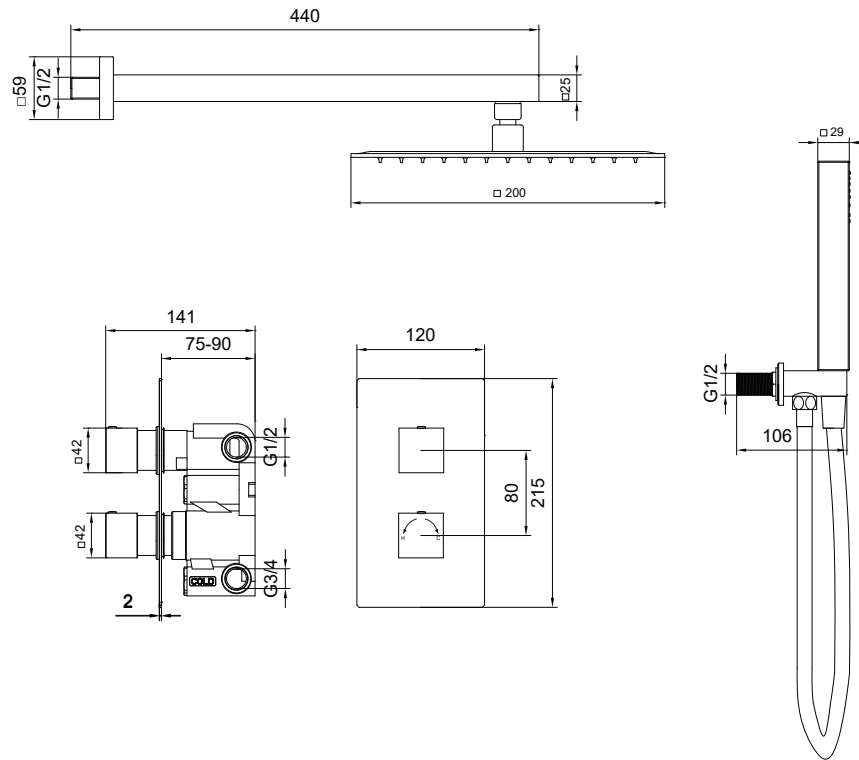
Eastbrook 

Eastbrook Road, Gloucester GL4 3DB

Technical Helpline: 01452 317890

Email: technical@eastbrookco.com

Square concealed shower set with handset



CONCEALED THERMOSTATIC SHOWER VALVE INSTALLATION & OPERATING GUIDE

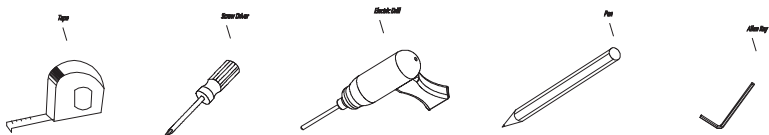
- We recommend this product is installed by a qualified Professional
- All valves should be installed in accordance with the water bye-laws. For further details, refer to the Water Bye-laws guide or your local water authority.
- Please check the product immediately to ensure it has not been damaged and is complete. Before installation, please make sure this product is the correct model and you have all the parts required for installation and use.
- All valves should be supplied with hot and cold water at balanced pressure. If not, the mixing function will not work correctly. It is necessary to fit non-return valves on both hot and cold feed pipes.
- Please flush with water to ensure that no metal swarf, Solder and other impurities can not enter the valves. before installing the valve
- Turn off water supply before commencing installation. This should be done at the isolating valves of inlet feeds if fitted or the main stopcock.
- Please read these instructions carefully

I. TECHNICAL DATA

1. Ideal Pressure:0.2Mpa-0.5Mpa.A reducing valve is required when the water pressure is more than 0.5Mpa.
2. Standard Pressure: Dynamic water pressure 0.3 ± 0.02 Mpa.
3. Cold Supply Temperature:4-29℃;
Hot Supply Temperature:55-58℃.
4. Thermostatic Temperature Range:20-50℃.
5. Pre-set Temperature:38℃.
6. Safety Mechanism: The mixed water will be immediately cut off When the cold supply is not effective.
7. Precise Temperature: It takes approximately 5 seconds to achieve the desired temperature. The actual working temperature will be within ± 2 ℃ of the temperature.
8. Temperature Stability: The outlet temperature variation will be within ± 2 ℃ when the inlet temperature is stable and the hot and cold pressure varies by 50%.The outlet temperature variation will be within ± 2 ℃ when the inlet pressure is stable and the hot supply temperature increases from 60℃ to 70℃ (5℃/min).

II. PREPARATION FOR INSTALLATION

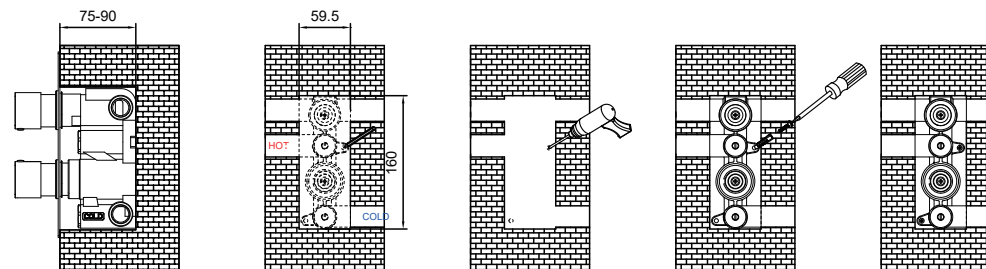
1. Carefully remove the product from the packaging to prevent scratches,wearing cotton gloves if possible.
2. Identify all components.
3. Prior to installation, flush out the pipework thoroughly to remove debris.
4. Turn off the water supply.
5. Tools you might need:



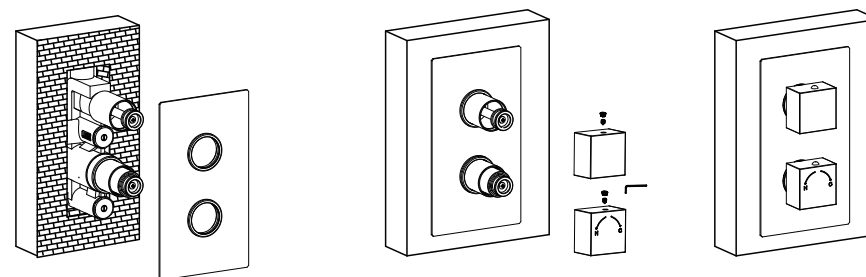
III. INSTALLATION

1. Determine the fixing position for the valve. Make a recess in the wall according to the dimensions of the shower valve and mark the required installation holes and sizes. Drill the holes with plastic plugs. Connect the inlet and outlet to the correct pipework with the necessary sealant. Screw the shower valve body into position, using the mounting lugs that are cast into the base of the body.

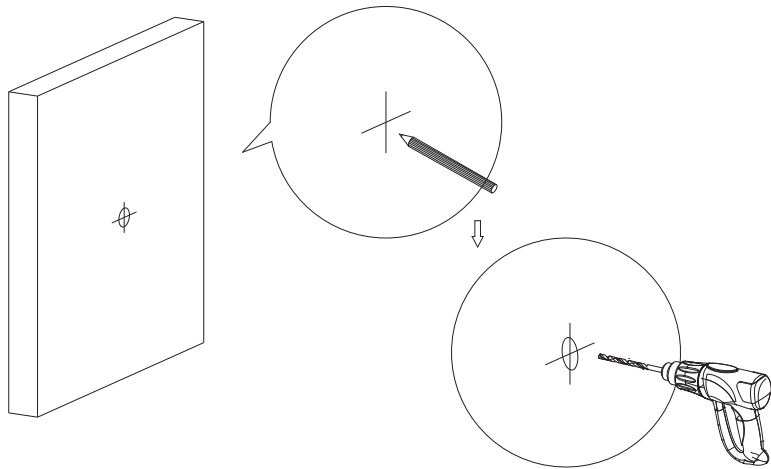
INSTALLATION



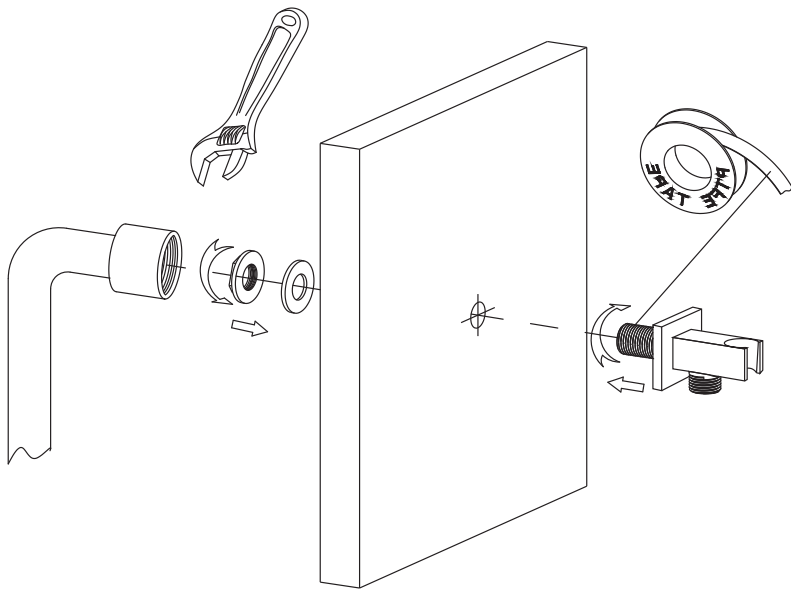
2. Secure the concealing plate onto the valve body which is clearly marked. Then fit the rubber washer, handle body, grub screw and hand lever.



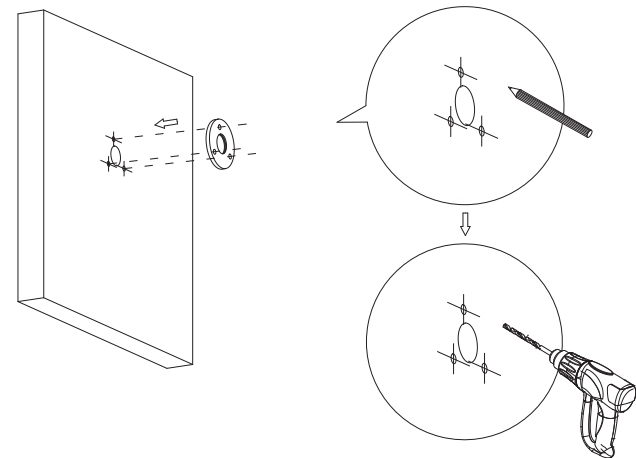
3. Prepare and fit pipe work in the wall from mixer valve to the desired location for outlet.



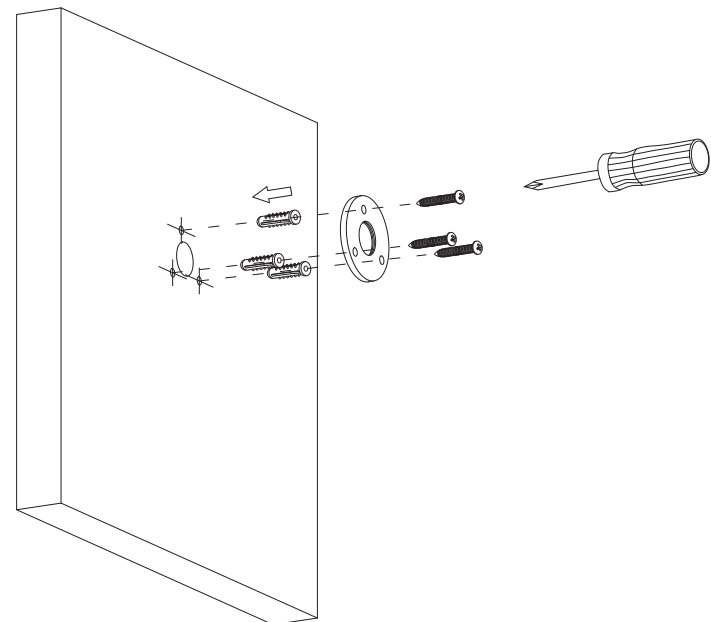
4. Apply PTFE tape to threads on outlet and screw through wall into pipe work connection.



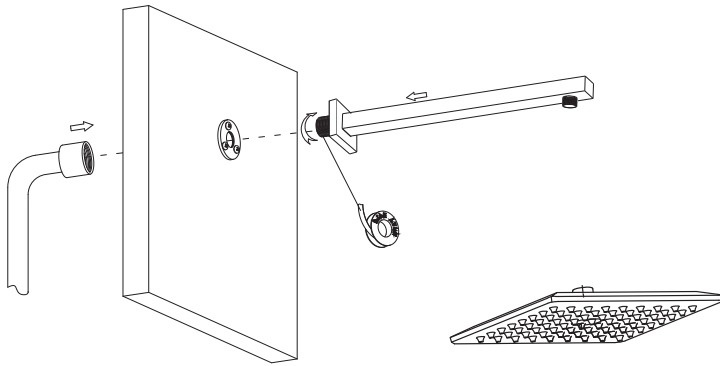
5. Mark out the 3 fixing holes for the wall bracket around the center hole on the pipe work.



6. Fix bracket to the wall-please note different fixings can be purchased from your local DIY Store for dry or stud walls.

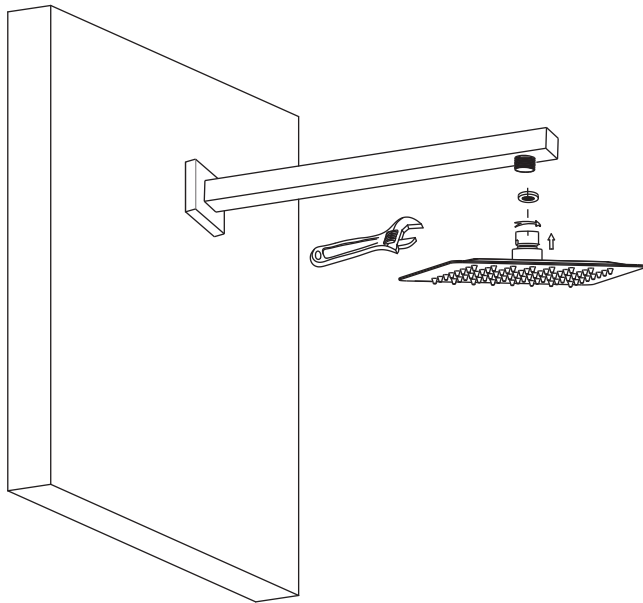


7. First screw the cover plate onto the shower arm and then screw the arm into the ceiling bracket and connect to the pipe work in the ceiling.



8. Please consult a qualified plumber for advice on pipe work if required.

insert washer into shower head and screw head onto arm.



Please consult a qualified plumber for advice on pipe work if required.

Cleaning

This product is made to the highest standard using high quality chrome plating and due care needs to be taken to ensure their looks are retained. We recommend cleaning all products with a soft damp cloth ONLY and advise strongly against the use of ALL cleaning products i.e. powders and liquids. If the instructions are not followed this will invalidate your guarantee in the event of a problem occurring.

Product Guarantee

The product is offered with a 5-year manufactures warranty for all brassware products from the date of purchase.

All moving parts are subject to wear and tear and include but not limited to cartridges and seals, these are covered for 3 years from date of purchase.

If inside the warranty period and a faulty part can be replaced instead of replacing the complete item a part will be offered FOC.

A complete exchange will only be offered if the complete item is beyond economic repair.

LIMITATIONS to the manufacturer's warranty.

The product must be installed by a qualified person.

Normal wear and tear are not covered.

All problems resulting from improper care or use of inappropriate detergents including alcohol- based products and disinfectants, abrasive sponges and metallic pads are not covered.