

AQUALISA

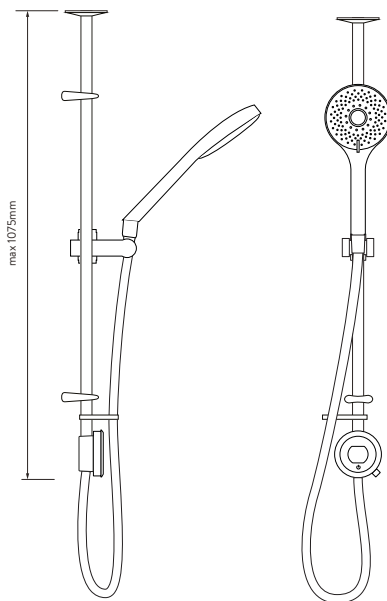
OPTIC Q™

OPQ.A2.EV.
DVBTX.20

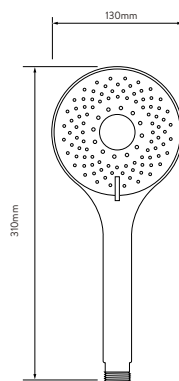
EXPOSED WITH ADJUSTABLE HEAD AND BATH OVERFLOW FILLER - GRAVITY PUMPED

DIMENSIONAL DRAWINGS

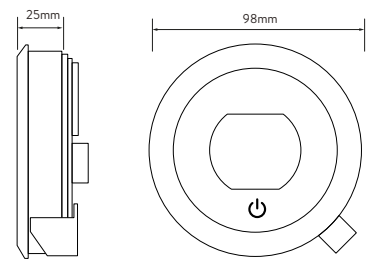
EXPOSED SHOWER RAIL KIT



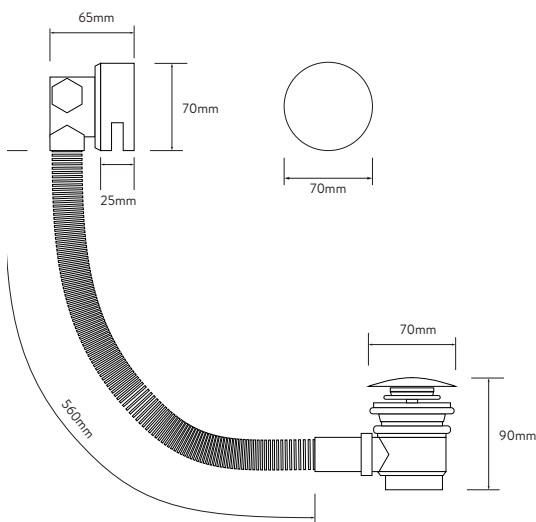
SHOWER HEAD



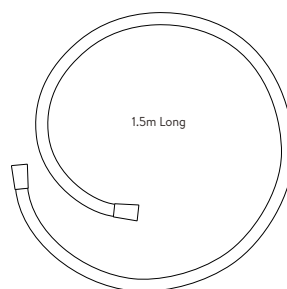
CONTROLLER



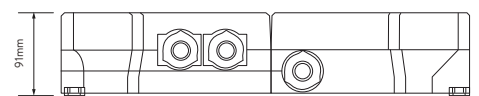
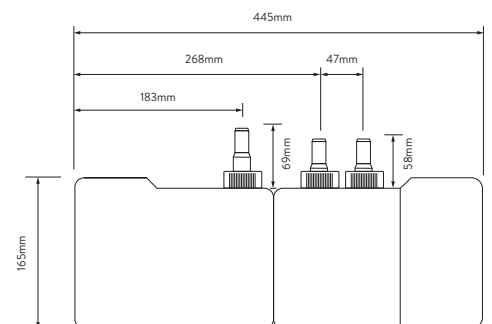
BATH OVERFLOW FILLER



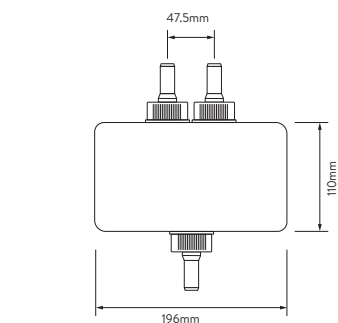
SHOWER HOSE



AQUALISA SMARTVALVE™



DIVERTER



EXPOSED WITH ADJUSTABLE HEAD AND BATH OVERFLOW FILLER - GRAVITY PUMPED

TECHNICAL SPECIFICATIONS

| | |
|--|---|
| Minimum pressure requirements | Aqualisa SmartValve™ must be sited no higher than the base level of the cold water system |
| Maximum pressure requirements | 1 bar (Gravity) |
| Aqualisa SmartValve™ inlet fitting connections | 15mm push fit fittings, valve inlet centres 48mm, inlet supply positions – hot right, cold left |
| Aqualisa SmartValve™ and diverter outlet connections | 15mm push fit |
| Permissible Aqualisa SmartValve™ and diverter siting locations | Loft, airing cupboard, under bath |
| Supply temperature | Cold inlet temperature 1°C (minimum) Cold inlet temperature 15°C (maximum) Hot inlet temperature 65°C (maximum) |
| Water system | Gravity |
| Features | Proximity sensor (to wake controller up) |
| | Large rotary temperature ring |
| | Digital display system |
| | User definable shower profiles / experiences (available via the Aqualisa app) |
| | Warm and ready indicator |
| | Optical on off switch |
| | Unique Q™ lever control |
| | Magnetically damped Q™ lever |
| | 130mm Vita™ shower head with 3 spray patterns |
| | Wi-Fi & App compatible – control your product with your smart phone and smart home device e.g. Alexa |
| | App functions include start/stop, set your flow and temperature, shower timer, user dashboard, usage tracker and help & support |
| | Aqualisa SmartValve™ |
| | Optional wireless rechargeable remote control |
| | You can select the shower outlet you want to start first everytime |
| Digital diverter technology | |
| Guarantee period | 5-year guarantee - shower unit |
| | 2-year guarantee - shower head and kit |
| Approvals | CE Marking |
| | BEAB |

Check out our full range of Showers

Electric Showers

Digital Showers

Mixer Showers

Power Showers

Smart Showers

Shower Towers

From Top Shower Brands

Mira Showers

Aqualisa Showers

Triton Showers

Gainsborough Showers

Shower Pumps can upgrade your showering experience even more

Stuart Turner Shower Pumps

Salamander Shower Pumps

Grundfos Shower Pumps

plumbworld
Big brands, small prices.