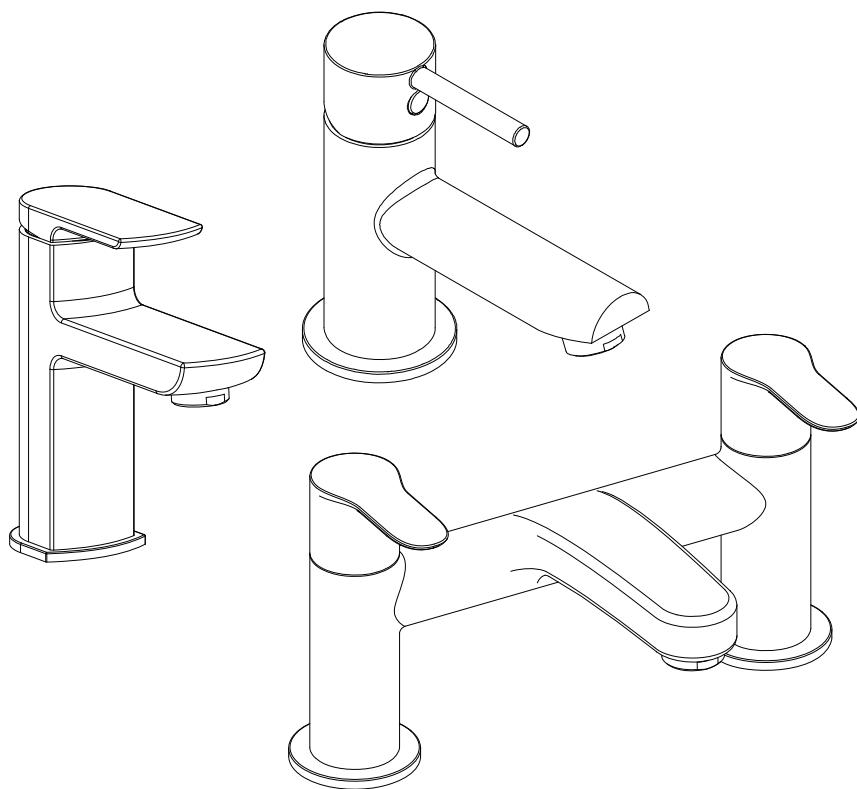


# AQUALISA TAPS

---

INSTALLATION AND USER GUIDE

---



# CONTENTS

---

|  |    |
|--|----|
| Safety Information                                 | 2  |
| Guarantee  | 2  |
| Flushing   | 3  |
| Isolating Valves                                   | 3  |
| Pressures  | 3  |
| Installation                                       | 4  |
| Cleaning   | 4  |
| Ranges   | 5  |
| Deck mounted Bath Filler and Bath Shower Mixer Tap | 6  |
| Wall mounted Handset Holder                        | 8  |
| Small Pillar Tap                                   | 10 |
| Large Pillar Tap                                   | 12 |
| General Maintenance                                | 14 |
| General Cleaning                                   | 15 |
| Troubleshooting                                    | 16 |

## SAFETY INFORMATION

---

This product must be installed by a competent person in accordance with all relevant current Water Supply and Building Regulations.

This product is suitable for domestic use only.

## GUARANTEE

---

Aqualisa products are supplied complete with a 1 year guarantee that can be upgraded by registering this product with Aqualisa.

For details see: [www.aqualisa.co.uk/guarantee](http://www.aqualisa.co.uk/guarantee)

## FLUSHING

---

Some modern fluxes can be very corrosive and, if left in contact, will attack the working parts of this unit. All soldering must be completed and the pipe work thoroughly flushed out in accordance with current Water Supply Regulations prior to connection of the product.

## ISOLATING VALVES

---

Suitable full bore isolation valves such as gate valves must be fitted to both supplies in accordance with the Water Supply Regulations and our terms of guarantee.

## PRESSURES

---

Suitable for gravity stored, gravity pumped, balanced high pressure and combination boiler systems. This product is designed to control static pressure up to 5 bar. Where pressures are likely to exceed 5 bar a pressure reducing valve must be fitted into the incoming mains supply. A setting of 3 bar is recommended. It should be noted that daytime pressures approaching 3 bar can rise above the stated maximum overnight. For optimum performance, a minimum inlet pressure of 0.2 bar is recommended.

**Minimum inlet pressure:** 0.2 bar

**Maximum inlet pressure:** 5 bar (Recommended 3 bar)

For optimum performance hot and cold pressures should be equal. A suitable PRV is available from Aqualisa, if required.

**N.B.** Not suitable for mixed water supplies, i.e. gravity hot/cold mains.

## INSTALLATION

---

The product must not be used with a hot water supply temperature of over 65°C. The hot supply should be on the left when viewed from the front of the product.

## CLEANING

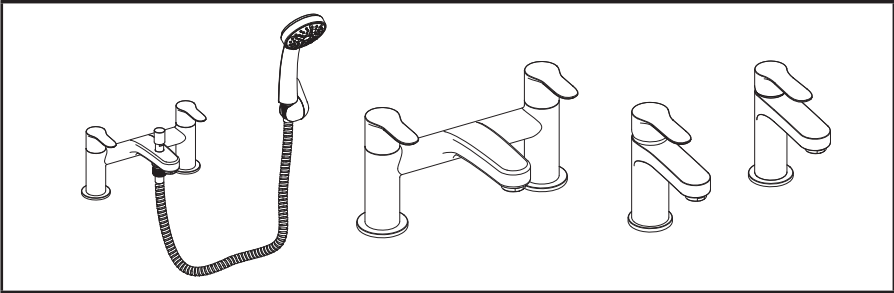
---

Whilst modern plating techniques are used in the manufacture of these fittings, the plating will wear if not cleaned properly. The safest way to clean your product is to wipe with a soft damp cloth. Stains can be removed using washing up liquid.

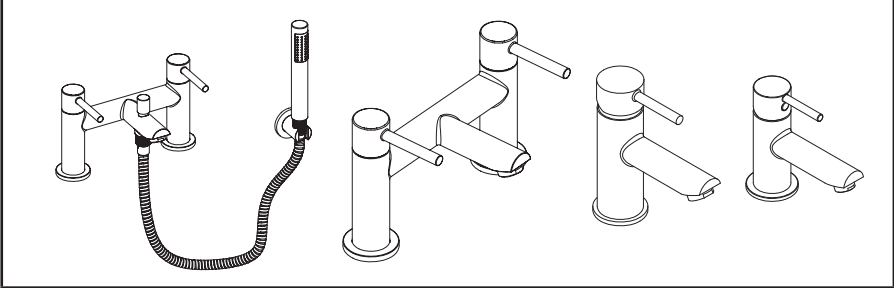
Substances that are not suitable for plastics and electroplated surfaces must not be used. **DO NOT USE ABRASIVE CLEANERS.**

# RANGES

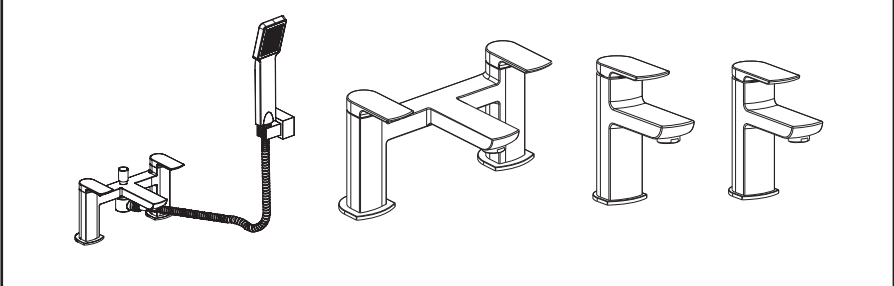
## AQUALISA CENTRAL™



## AQUALISA UPTOWN™



## AQUALISA DOWNTOWN™



# DECK MOUNTED BATH FILLER AND BATH SHOWER MIXER TAP INSTALLATION

---



In addition to the guide below it is essential that the important information section is read and understood and that you have all the necessary components before commencing installation. Failure to install the product in accordance with these instructions may adversely affect the guarantee terms and conditions. Do not undertake any part of this installation unless you are competent to do so. Prior to starting, ensure that you are familiar with the necessary plumbing regulations required to install the product correctly and safely.

1

Remove fixing washers (4) and fixing nuts (5) from the mixer, leaving the base rings (2) and deck washers (3) fitted to the mixer tap tails.

2

Locate the tails of the mixer tap into the holes of the bath.

3

Underneath the bath, put the fixing washers (4) onto the mixer tails and secure them using the fixing nuts (5).

4

Using suitable connections, connect the mixer tails to the hot and cold supplies.

5

Turn on the supplies to the bath filler/shower mixer and turn the hot and cold taps on to flush the system through. Turn off the bath/shower mixer and attach the hose, ensuring the hose washer is in place.

# DECK MOUNTED BATH FILLER AND BATH SHOWER MIXER TAP COMPONENTS

| BATH SHOWER MIXER TAP |                 |     |
|-----------------------|-----------------|-----|
|                       |                 |     |
| NO                    | DESCRIPTION     | QTY |
| 1                     | Bath Mixer Tap* | 1   |
| 2                     | Base Ring       | 2   |
| 3                     | Deck Washer     | 2   |
| 4                     | Fixing Washer   | 2   |
| 5                     | Fixing Nut      | 2   |

| HAND SHOWER AND HOSE** |                            |     |
|------------------------|----------------------------|-----|
|                        |                            |     |
| NO                     | DESCRIPTION                | QTY |
| 1a                     | Aqualisa Central™ Handset  | 1   |
| 1b                     | Aqualisa Downtown™ Handset | 1   |
| 1c                     | Aqualisa Uptown™ Handset   | 1   |
| 2                      | 1.25m Hose                 | 1   |

\* Aqualisa Uptown™ model shown for illustrative purposes.

\*\* Handset and hose are only supplied with Bath Shower Mixer models.  
The handset supplied is dependant on the model purchased.

# WALL MOUNTED HANDSET HOLDER INSTALLATION

---

1

Using the backplate as a template, mark and prepare two holes in the desired location using the fixings provided.

**NOTE:** For Aqualisa Central™ and Aqualisa Downtown™ models, choose the orientation that you wish the handset holder to face and ensure the backplate is fixed to suit.

2

Secure the backplate into position using the wall screws.

3

## **Aqualisa Central™ model**

- a. Rotate the ratchet mechanism of the holder so that the chamfered edge faces upwards. (This ensures the hose and handset sit securely in the holder)
- b. Push the holder onto the backplate until it clicks and locks into position.

## **Aqualisa Downtown™ model**

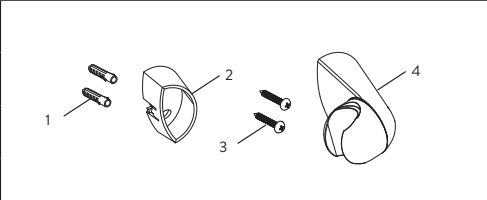
- a. Offer the handset holder onto the backplate at an angle, feeding the locking/release tab into the holder first.
- b. Push the holder onto the backplate until it clicks and locks into position.

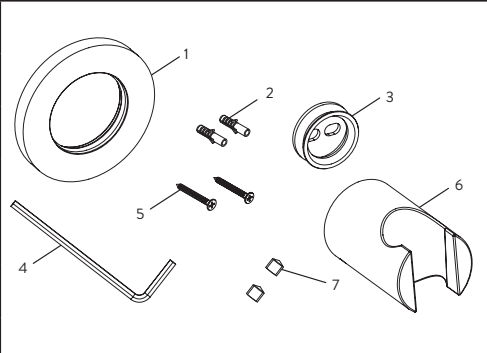
## **Aqualisa Uptown™ model**

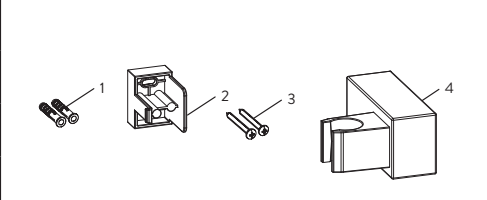
- a. Loosen the grub screws located within the handset holder using the allen key provided. Offer up the handset holder to the backplate ensuring the handset holder sits flush to the finished wall surface.
- b. Tighten the grub screws into position using the allen key provided.
- c. Push the cover plate into position.



# WALL MOUNTED HANDSET HOLDER COMPONENTS

| AQUALISA CENTRAL™ MODEL   | NO. | DESCRIPTION    | QTY |
|---|-----|----------------|-----|
|  | 1   | Wall Plugs     | 2   |
|   | 2   | Backplate      | 1   |
|   | 3   | Wall Screws    | 2   |
|   | 4   | Handset Holder | 1   |

| AQUALISA UPTOWN™ MODEL   | NO. | DESCRIPTION    | QTY |
|--|-----|----------------|-----|
|  | 1   | Cover Plate    | 1   |
|  | 2   | Wall Plugs     | 2   |
|  | 3   | Backplate      | 1   |
|  | 4   | Allen Key      | 1   |
|  | 5   | Wall Screws    | 2   |
|  | 6   | Handset Holder | 1   |
|  | 7   | Grub Screws    | 2   |

| AQUALISA DOWNTOWN™ MODEL  | NO. | DESCRIPTION    | QTY |
|---|-----|----------------|-----|
|  | 1   | Wall Plugs     | 2   |
|   | 2   | Backplate      | 1   |
|   | 3   | Wall Screws    | 2   |
|   | 4   | Handset Holder | 1   |

## SMALL PILLAR TAP INSTALLATION

---



In addition to the guide below it is essential that the important information section is read and understood and that you have all the necessary components before commencing installation. Failure to install the product in accordance with these instructions may adversely affect the guarantee terms and conditions. Do not undertake any part of this installation unless you are competent to do so. Prior to starting, ensure that you are familiar with the necessary plumbing regulations required to install the product correctly and safely.

1

Place the fixing bolts (2) into the tap body and secure using a screwdriver in the machined slot.

2

Offer the cover plate (3) to the bottom of the tap body.

3

Screw the flexible hoses (5) into the tap body (see Fig.1 page 11), feed through the hole in the mounting surface and offer the mixer tap into position.

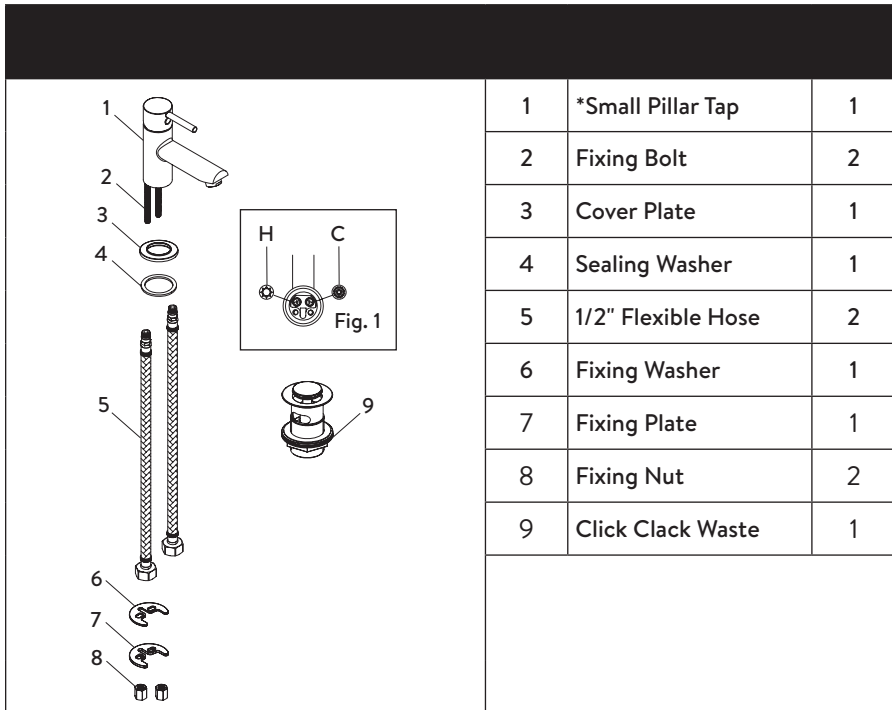
4

Feed the fixing washer (6) and fixing plate (7) onto the fixing bolts and secure to the underside of the mounting surface using a suitable tool. Ensure correct alignment of the mixer tap over the basin.

5

Connect the flexible hoses to the supply inlets ensuring washers are fitted and tighten firmly.

# SMALL PILLAR TAP COMPONENTS



|   |                    |   |
|---|--------------------|---|
| 1 | *Small Pillar Tap  | 1 |
| 2 | Fixing Bolt        | 2 |
| 3 | Cover Plate        | 1 |
| 4 | Sealing Washer     | 1 |
| 5 | 1/2" Flexible Hose | 2 |
| 6 | Fixing Washer      | 1 |
| 7 | Fixing Plate       | 1 |
| 8 | Fixing Nut         | 2 |
| 9 | Click Clack Waste  | 1 |

\* Aqualisa Uptown™ model shown for illustrative purposes

# CLICK CLACK WASTE INSTALLATION

- 1 \_\_\_\_\_  
Ensure the sealing ring is in position on the waste.
- 2 \_\_\_\_\_  
Pass it through the basin.
- 3 \_\_\_\_\_  
Tighten with the base nut.

# LARGE PILLAR TAP INSTALLATION

---



In addition to the guide below it is essential that the important information section is read and understood and that you have all the necessary components before commencing installation. Failure to install the product in accordance with these instructions may adversely affect the guarantee terms and conditions. Do not undertake any part of this installation unless you are competent to do so. Prior to starting, ensure that you are familiar with the necessary plumbing regulations required to install the product correctly and safely.

1

Place the fixing bolts (2) into the tap body and secure using a screwdriver in the machined slot.

2

Fit cover plate (3) at the base on the tap.

3

Screw the flexible hoses (5) into the tap body (see Fig.1 page 13), feed through the hole in the mounting surface and offer the mixer tap into position.

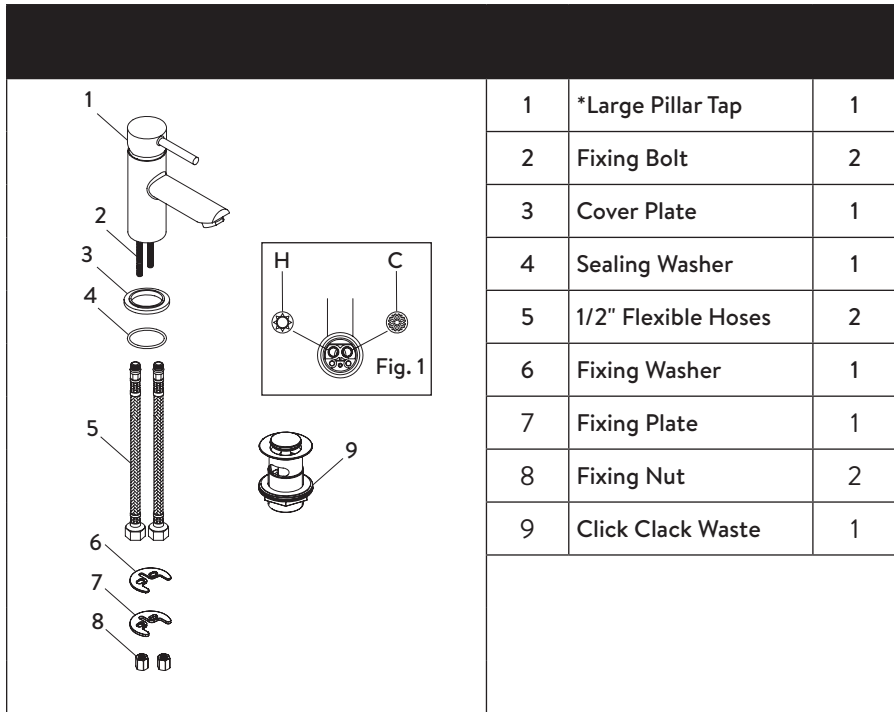
4

Feed the fixing washer (6) and fixing plate (7) onto the fixing bolts and secure to the underside of the mounting surface using a suitable tool. Ensure correct alignment of the mixer tap over the basin.

5

Connect the flexible hoses to the supply inlets ensuring washers are fitted and tighten firmly.

# LARGE PILLAR TAP COMPONENTS



|   |                     |   |
|---|---------------------|---|
| 1 | *Large Pillar Tap   | 1 |
| 2 | Fixing Bolt         | 2 |
| 3 | Cover Plate         | 1 |
| 4 | Sealing Washer      | 1 |
| 5 | 1/2" Flexible Hoses | 2 |
| 6 | Fixing Washer       | 1 |
| 7 | Fixing Plate        | 1 |
| 8 | Fixing Nut          | 2 |
| 9 | Click Clack Waste   | 1 |

\*Aqualisa Uptown model shown for illustrative purposes.

# CLICK CLACK WASTE INSTALLATION

- 1 \_\_\_\_\_  
Ensure the sealing ring is in position on the waste.
- 2 \_\_\_\_\_  
Pass it through the basin.
- 3 \_\_\_\_\_  
Tighten with the base nut.

# GENERAL MAINTENANCE

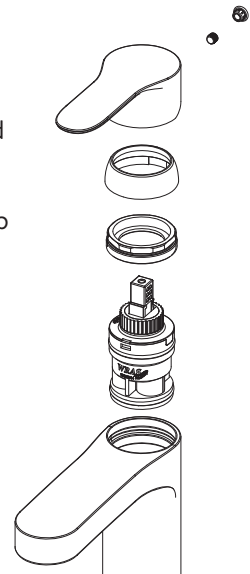
---

## Cleaning the bath / shower mixer headworks

1. Before carrying out any maintenance, ensure the mains water supply is isolated. Once isolated, turn the taps on to release internal pressure. If unsure contact a qualified tradesman.
2. Carefully remove the cap, loosen the grub screw using an allen key, then remove the tap knob.
3. Using a suitable spanner, unscrew and remove the On/Off headworks.
4. Clean the headworks by rinsing thoroughly under cold water to remove any build-up of limescale or debris.
5. If required, replacement headworks can be obtained by contacting the Customer Helpline.
6. Refit the headworks DO NOT OVERTIGHTEN.
7. Re-fit the tap knob. Tighten the grub screw and fit the cap.

## Cleaning the pillar tap headworks

1. Before carrying out any maintenance, ensure the mains water supply is isolated. Once isolated, turn the tap on to release internal pressure. If unsure contact a qualified tradesman.
2. Carefully remove the cap (where fitted), loosen the grub screw using an allen key, then remove the tap knob.
3. Unscrew/remove the cover ring and o-ring (only applicable for some models).
4. Using a suitable spanner remove the locking nut.
5. Clean the headworks by rinsing thoroughly under cold water to remove any build-up of limescale or debris. If required, replacement headworks can be obtained by contacting the Customer Helpline.



6. Refit the headworks DO NOT OVERTIGHTEN.
7. Re-fit the locking nut, (o-ring), cover ring and tap knob. Tighten the grub screw and fit the cap.

## GENERAL CLEANING

---

Whilst modern plating techniques are used in the manufacture of these fittings, the plating will wear if not cleaned properly. The safest way to clean your product is to wipe with a soft damp cloth. Stains can be removed using washing up liquid.

**DO NOT USE: Scouring pads, abrasive cloths or cleaners and cleaning agents that contain acids or bleach.**

### **Limescale**

Rub the nozzles of the shower head to break down scale build up. Should chemical descaling of the head become necessary, remove the shower head fully and immerse in a mild proprietary descaler.

**IT IS IMPERATIVE THAT DESCALING IS CARRIED OUT STRICTLY IN ACCORDANCE WITH THE MANUFACTURERS INSTRUCTIONS. SUBSTANCES THAT ARE NOT SUITABLE FOR PLASTICS AND ELECTROPLATED SURFACES MUST NOT BE USED.**

# TROUBLE SHOOTING

| Symptom  | Possible Cause  | Remedy  |
|--|---|---|
| Water dripping from shower head or spout.            | Water retention due to scale build up.  | Clean shower head and/or spout flow straightener.   |
|  | Failing to close fully, possibly due to waterborne debris.  | Remove on/off headworks and check. Refer to General Maintenance section before dismantling.   |
| No flow or low flow rate or fluctuating temperature. | Partially closed stop tap or service valve in water supply pipework to the shower valve or tap.                   | Open stop tap or service valve.   |
|  | Instantaneous water heater cycles on and off as the flow rate or pressure is too low.                             | Increase water flow rate or pressure through system. Contact the boiler manufacturer.   |
|  | Head of water is below the minimum distance required.   | Raise the cistern or fit a universal booster pump.  |
|  | Hot or cold water being drawn off elsewhere causing pressure changes or instantaneous boiler temperature changes. | Taps and bath/shower mixers are not thermostatically controlled - Do not use other water outlets especially when using the shower function.   |
|  | Make sure the maintained inlet pressures are nominally balanced and sufficient.                                   | Refer to Pressures section (Page 3).  |
|  | Airlock or partial blockage of the pipework (gravity supply only).  | Flush through pipework to ensure removal of debris and any airlocks.  |
| Outlet water temperature too hot/cold.               | Mixed water supplies - cold water supply overpowering the hot.  | Check that hot and cold water supplies are from the same source and balanced. Products are not suitable for mixed water supplies, i.e. gravity hot/cold mains. Refer to Pressures section (Page 3). |
|  | Hot water temperature too high.   | Domestic hot water temperature should not exceed 65°C (See page 4).   |
| Control knobs stiff to operate.                      | Debris/scale build up.  | See General Maintenance (Page 14).  |
| Water does not divert to the shower handset.         | Insufficient flow or pressure to keep diverter open.  | Increase flow rate and ensure sufficient pressure (Refer to page 3).  |
| Handset holder tight/loose.                          | Requires adjustment.  | Use cross head screwdriver in handset holder to adjust.   |
| Hose/handset will not fit/stay in the holder.        | Hose fitted incorrect way around.   | Attach conical end of the hose to the shower handset.   |
|  | Holder position upside-down (Central model only).   | Rotate the ratchet of the handset holder 180 degrees.   |



## NOTES

---

---

---

---

---

---

---

---

---

---

---

---

---

---

---

---

---

---

---

---

---

---

---

---

---

---

---





# AQUALISA

Aqualisa Products Limited  
The Flyers Way  
Westerham Kent TN16 1DE

Customer Helpline: 01959 560010 | Brochure Hotline: 0800 652 3669  
Website: [www.aqualisa.co.uk](http://www.aqualisa.co.uk) | Email: [enquiries@aqualisa.co.uk](mailto:enquiries@aqualisa.co.uk)  
Guarantee: [www.aqualisa.co.uk/guarantee](http://www.aqualisa.co.uk/guarantee)

Republic of Ireland  
Sales enquiries: 01-864-3363  
Service enquiries: 01-844-3212



Please note that calls may be recorded for training and quality purposes.

The company reserves the right to alter, change or modify the product specifications without prior warning.

™ Trademark of Aqualisa Products Limited.



Part No: 705116 Issue 1 Aug 20