



ALWAYS Read these installation instructions carefully before installing this product and leave with the end user FOR FUTURE REFERENCE.



ALWAYS Have the seats installed by a trained and experienced installer. Make the seat height suitable for the user.



ALWAYS Attach this Seat to a surface using fixings matched to the type of surface and the loading conditions to be applied.



ALWAYS Use hole reducers if seat cushions are not used.



NEVER Exceed the weight capacity of 25 stone (158 Kg) (350 lb)

NEVER NEVER Install countersunk screws to fixing holes. Stand on the shower seat. This may reduce the strength of the shower seat and will invalidate any warranty or weight capacity stated.



DO NOT Place matches or cigarettes on or near this product.



The following plastic materials are used in this product:

Polypropylene(PP), Poly Vinyl Chloride (PVC-U) Thermoplastic Rubber (TPR). High Density Polyethylene (HDPE) Polyurethane Foam (PU)

No natural Rubber or Latex used in this product.



BEWARE A pinch hazard may be present around the region of the leg mechanism during the raising and lowering of this seat.



BEWARE making fixing holes larger will reduce the strength of the seat and invalidate any warranty or stated weight capacity.



This product conforms to the essential requirements of the Medical Devices Directive 93/42/EEC and representative samples have been evaluated under EN12182:1999 and EN12727:2000 For use solely as a shower seat (assistive, Class 1 device). Declaration issued under the sole responsibility of the manufacturer.

The AKW 2000 series shower seats conform to the requirements of the EU Council directive 93/42/EEC for a class 1 non-invasive transient use device, using the following harmonized European standards in the confirming assessment: BS EN 12182:1999, BS EN 12727:2000

The measurements throughout these installation and user care instructions have been converted from metric to its equivalent in imperial, therefore all dimensions are approximate and subject to manufacturing tolerances. These instructions are provided to advise the minimum standards of installation and recommends what is the best practice for the installation. Due to the very wide variability of possible installation conditions AKW cannot provide all circumstances for the installation. AKW cannot accept any liability in connection with this information or its use. This information is provided on the condition that the person receiving it shall make their own tests to determine the suitability for their particular purpose. Failure to install this AKW product in accordance with supplied instructions or the making of unauthorised modifications will invalidate any warranty and may affect product safety. None of the foregoing affects your statutory rights.

IMPORTANT SAFETY INFORMATION

Order line
01905 823299

General Enquiries
01905 823298

Technical Help line
01905 560219

Fax
01905 823297

Website
www.akw-ltd.co.uk

Quotes & orders email
orders@akw-ltd.co.uk

Enquiries email
sales@akw-ltd.co.uk
technicalenquiries@akw-ltd.co.uk

Post
AKW, Pointon Way,
Hampton Lovett,
Droitwich Spa,
WR9 0LR



For the latest AKW product news scan this QR code with your device.

What to do if something goes wrong?

In the unlikely event that you should find a part missing or something goes wrong, please contact AKW Customer Services who will provide further advice and if necessary arrange for our service engineer to visit or discuss our comprehensive after-sales service. As part of our quality and training program calls may be monitored or recorded. None of the forgoing affects your statutory rights.

Failure to install this AKW product in accordance with supplied instructions or the making of unauthorised modifications will invalidate any warranty and will affect product safety.

AKW
Life Made Better



2000 Series Fold Down Seat-02000/P,02010/P Installation and User Care Instructions



Read ALL instructions carefully BEFORE installation and leave with the end user

Colour: WHITE RAL 9016 / Grey to RAL 7035 or High Contrast Blue to RAL 5005

Internal Building use only

ESSENTIAL INSTALLER INFORMATION

Never exceed the weight capacity of 25stone/158kg/350lb

Adjust support legs ensuring that both legs sit firmly on a flat surface, (maximum 1 in 40 shower base slope), when placed in the down position.

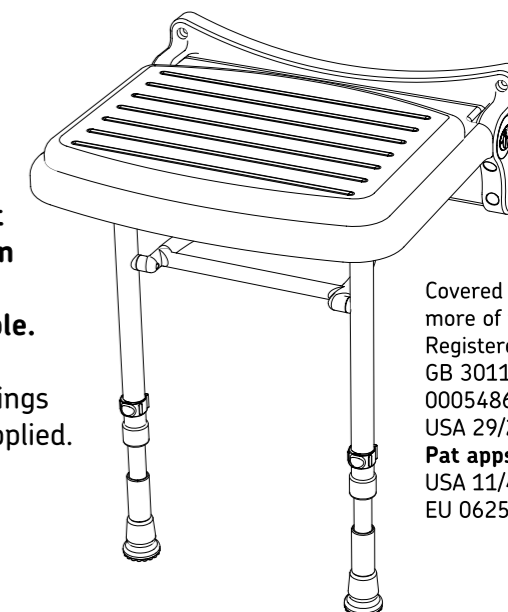
Curved surfaces such as corners of bathtubs are not acceptable.

This seat must be attached to a vertical surface using suitable fixings appropriate to the type of surface and loading conditions to be applied. Stainless steel fixings are recommended.

Make sure all fixing holes are used. Take care not to damage the painted surface.

Do not add countersinks screws or make any holes larger.

This can reduce the strength of the frame and invalidate any warranty or weight capacity stated.



Covered by one or more of the following Registered Designs:
GB 3011017, EU 000548607
USA 29/249106
Pat apps:
USA 11/456352,
EU 06253480

Cushion Assembly

1 Position the seat pad to seat. Note the front of the pad is indicated.

2 The seat pad retainer caps are fitted from underneath the seat.

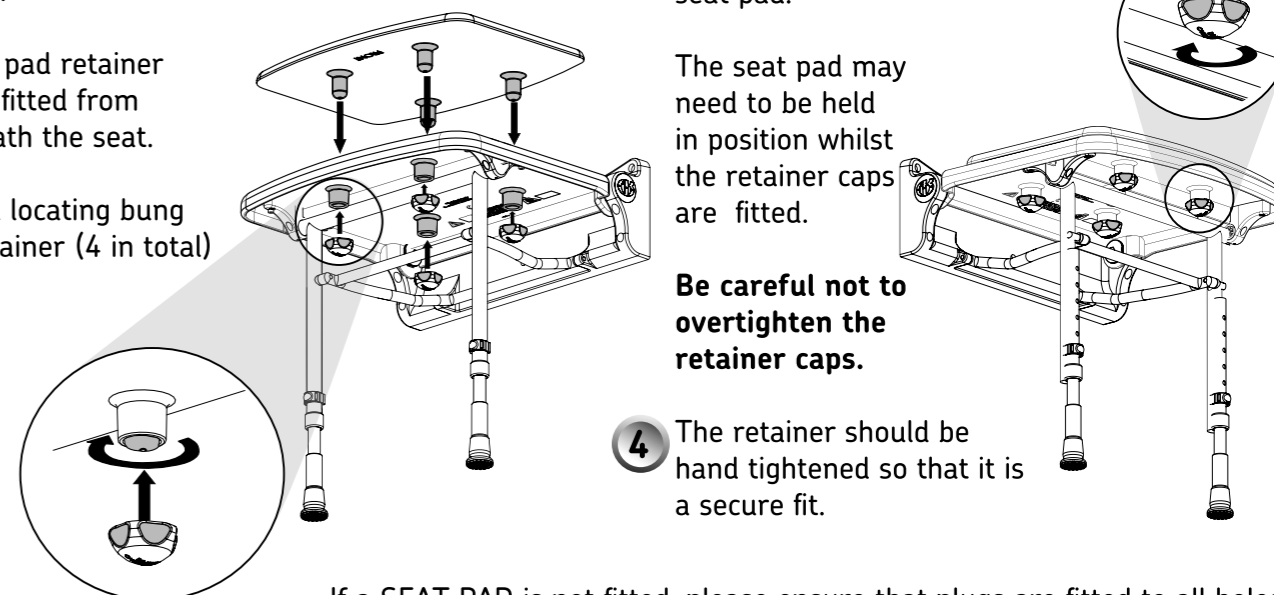
Each pad locating bung has a retainer (4 in total)

3 To fit the retainer cap, it should be rotated in a clockwise direction whilst applying firm pressure towards the seat pad.

The seat pad may need to be held in position whilst the retainer caps are fitted.

Be careful not to overtighten the retainer caps.

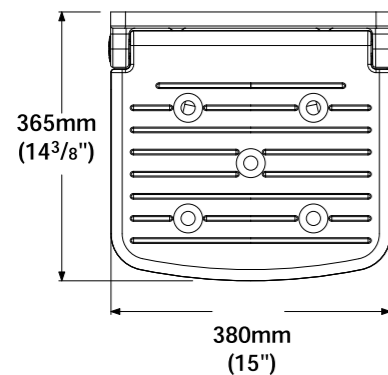
4 The retainer should be hand tightened so that it is a secure fit.



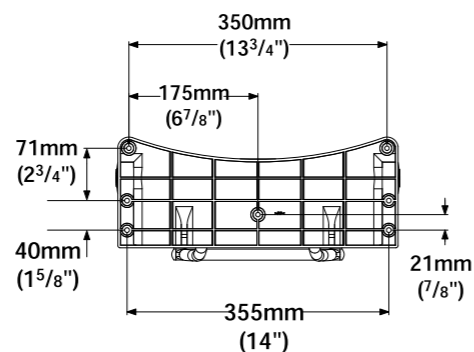
If a SEAT PAD is not fitted, please ensure that plugs are fitted to all holes.

02000/P - 02200/P Series Seat Dimensions

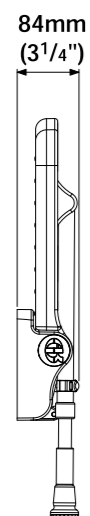
Seat Dimensions (Cushion not shown)



Mounting Hole Dimensions

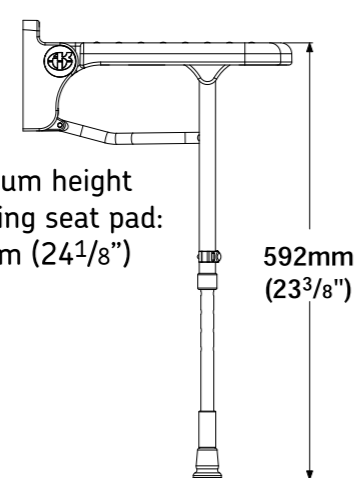


Maximum Height Dimensions



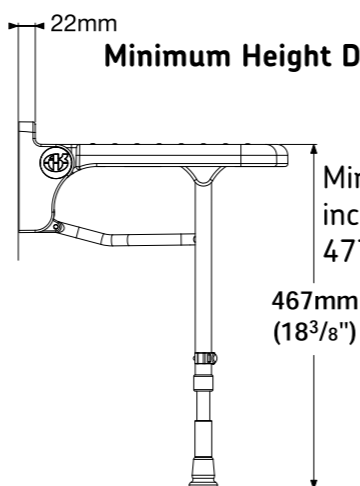
Folded Dimensions

Minimum height including seat pad:
612mm (24 1/8")



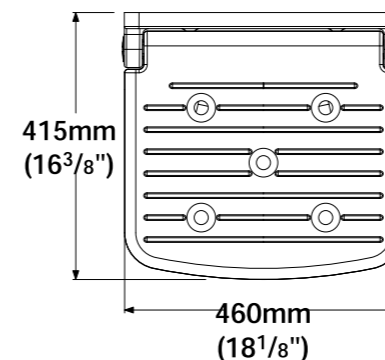
Minimum Height Dimensions

Minimum height including seat pad:
477mm (18 3/4")

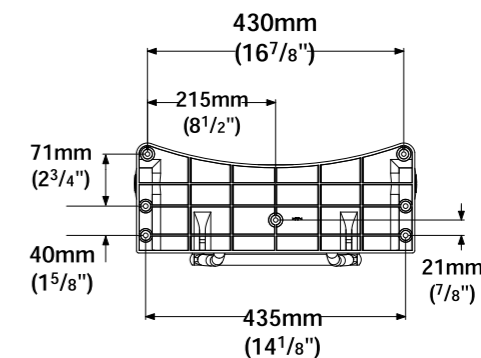


02010/P - 02210/P Series Seat Dimensions

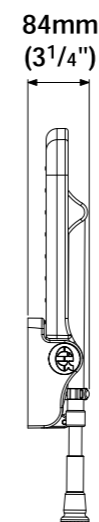
Seat Dimensions (Cushion not shown)



Mounting Hole Dimensions

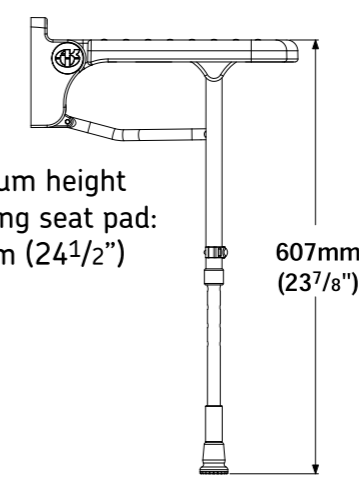


Maximum Height Dimensions



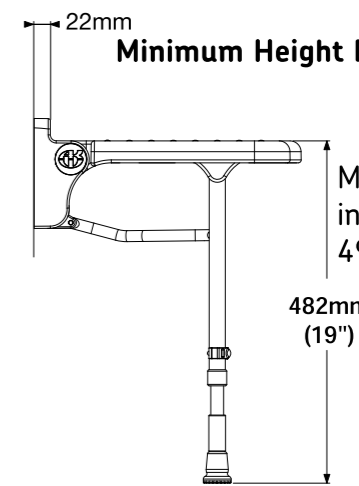
Folded Dimensions

Minimum height including seat pad:
622mm (24 1/2")



Minimum Height Dimensions

Minimum height including seat pad:
497mm (19 1/2")



Installation Instructions

Lay the seat on its back on the floor.

When placed on the floor, the legs are locked down by the mechanism.

This seat must be attached to a vertical surface using suitable fixings appropriate to the type of surface and loading conditions to be applied.

Adjust support legs ensuring that both legs sit firmly on a flat surface, (maximum 1 in 40 shower base slope), when placed in the down position. Curved surfaces such as corners of bathtubs are not acceptable.

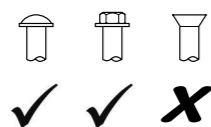
Stainless steel fixings are recommended.

You should consult a fixing manufacturer if you are unsure of which type of fixing to use, stating the type and construction of the vertical surface and the version of seat product.

We are unable to specify the type of fixing to be used due to the vast number of possible types and conditions of vertical surfaces to which the shower seat can be attached.

Make sure all fixing holes are used.

Do not make any holes larger. This can reduce the strength of the frame and invalidate any warranty or load rating stated.



Do not use fixings with Countersunk heads.

Install the seat. Once installed check that the plastic pivot caps are firmly in place.

User Care Instructions

Shower Seat Use

The Shower Seat must only be used for the task it is intended to perform.

Do not stand on it or misuse it. This may have serious detrimental effects on its performance and safety.

The Shower Seat should be checked as part of a planned maintenance programme.

Children and other users may require supervision when using this product.

Keeping your AKW Shower Seat Clean

This product should be cleaned periodically to remove any accumulation of hair or other waste material, using normal domestic bathroom cleaning materials.

After cleaning always flush down with water then wipe thoroughly with a damp cloth to remove any cleaning material residues before drying off.

Disinfecting

Where disinfecting is necessary, standard established procedures for disinfecting equipment should be used with due care and attention taken of the warnings concerning possible effects of aggressive chemicals on plastics. After cleaning always flush down with water then wipe thoroughly with a damp cloth to remove any cleaning material residues before drying off.

Do not use strong or concentrated acidic, alkaline or other cleaning materials on an abrasive pad as these may discolour or damage the product.

AKW does not approve or recommend autoclave cleaning due to the damage this can cause to the special engineering plastics used in the construction of this product.

Packaging

This Shower Seat is supplied in a polypropylene (PP) bag to keep the product unsoiled until installation; it may also be packed in a cardboard box. Both are suitable for recycling operations and should be disposed of in accordance with local recycling regulations.