

7. **Electrical Connections: Timer model. (Diagram X2.)**

Remove the internal cover by removing the 2 small caps and retaining philips screws to access the terminal connections. The fan can either be operated from a separate pullcord switch fitted to the ceiling of the room or can be connected to the light switch so that the fan will start when the light is switched on. A double pole fused spur having a contact separation of at least 3mm in all poles must be used and fitted with a 3 amp fuse, and should be sited outside any room containing a shower or fixed bath. The fan should not be accessible to a person using either the shower or the bath.

Timer Adjustment

The Timer fan will run approximately one minute after it has been switched off. This time delay can be increased by firstly switching off the power to the fan. Remove the cover and the timer cover as detailed in diagram X2A. Insert a small screwdriver into the slot, marked (T) in **Diagram X2A**, and turn clockwise to reduce the time and anti-clockwise to increase the time. **Only adjust with power switched off.** the timer will run for is 20 seconds and the maximum is about 20 minutes. **NB Timer delay is adjustable as indicated on the timer strip cover.**

8. **Electrical Connections: Electronic Humidity Model (Diagram 3)**

For the fan to operate as a normal time delay unit with humidity over-ride i.e. when connected with a switched live coming from the light switch into the fan, the fan will operate when the light is switched on, and switch off after about 20 seconds to 20 minutes (timer is pre-set for the minimum). However should the humidity in the room reach about 75%, which will happen if the shower is run or the bath filled with hot water, the fan will switch on and keep running until the humidity has been reduced to a normal level, about 65%. Connect to electrical supply as shown in diagram 3.

100mm Tile Fan, T. Max 40°C Rated 220-240V ~50Hz 20W  IP24
 150mm Tile Fan, T. Max 40°C Rated 220-240V ~50Hz 25W  IP24

IMPORTANT

Switch off mains supply before making any electrical connections.
 Installation must be supervised by a qualified electrician.

This appliance is not intended for use by persons (including children) with reduced physical, sensory or mental capabilities, or lack of experience and knowledge, unless they have been given supervision or instruction concerning use of the appliance by a person responsible for their safety.

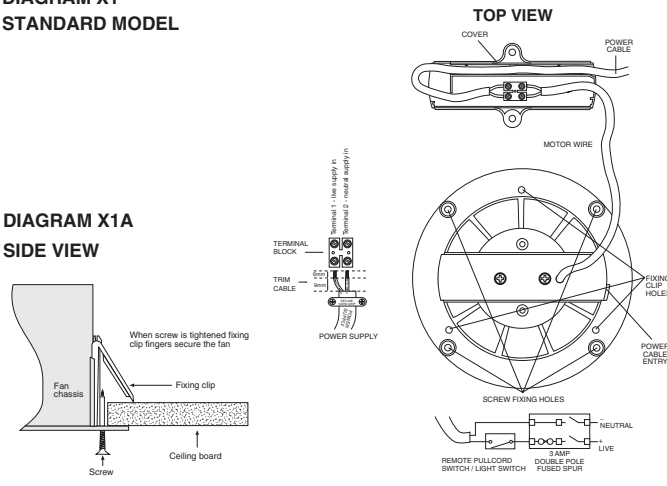
Children should be supervised to ensure that they do not play with the appliance.

Precautions must be taken to avoid the back-flow of gases into the room from the open flue of gas or other open-fire appliances when mounted in outside windows or walls.

Fan must be disconnected from electrical power before any maintenance is carried out.

**DIAGRAM X1
STANDARD MODEL**

**DIAGRAM X1A
SIDE VIEW**



HUMIDITY OPERATED TIME DELAY CONTROL

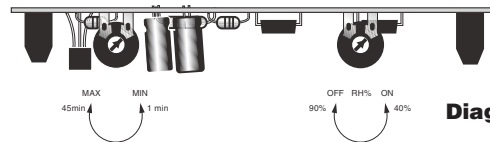
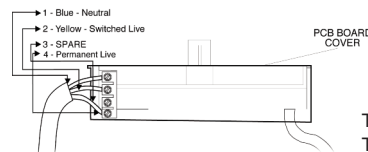


Diagram 3

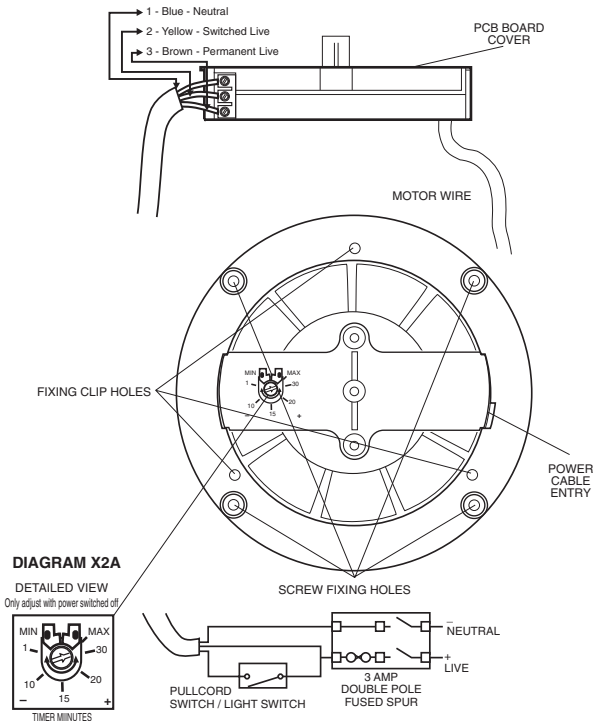
The timer and humidity adjustments are as the normal instructions



Time Delay & humidity over-ride operation
 Terminal 1 - 1 Neutral Supply
 Terminal 2 - 2 Switch live Supply
 Terminal 3 - 3 Spare
 Terminal 4 - 4 Permanent supply

DIAGRAM X2 TIMER MODEL

TOP VIEW



INSTALLATION INSTRUCTIONS FOR THE TILE FAN RANGE

- NOTE: (i) For best results this Extractor Fan should be fitted as high on the wall as possible, or if preferred, on the ceiling.
- (ii) Do not install the unit within a shower cubicle. Use our shower fans.
- (iii) Switch off mains supply before making electrical connections. If in any doubt contact a qualified electrician.
- (iv) This fan is double insulated and does not require an earth.
- (v) When installing fan through an external wall, an external wall grille must be fitted at all times.

1. Cut a suitable diameter hole in the wall. If the fan is to be fixed in the ceiling ensure that the hole is between the joists.
2. Hole recommended sizes for plaster board fixing with fixing clips:-
100mm Tile Fan = 115mm, 150mm Tile fan = 173mm and for all other fixing:- 100mm Tile Fan= 110mm, 150mm Tile Fan=155mm
3. To remove the front cover from the fan, turn the front cover anticlockwise while holding the body of the fan steady.
4. Hold the body of the fan against the wall or ceiling and mark the four screw holes and the cable entry on the side. (Use the fixing clips to secure the fan in panel walls & ceilings). See diagram X1A
IMPORTANT: Ensure that the fan is square on wall or ceiling.
5. Bring power cable into position, as marked. Allow an extra 230mm (9") protruding to facilitate connection.
6. **Electrical Connection: Standard Model. See Diagram X1.**

Remove the internal cover by removing the 2 small caps and retaining philips screws to access the terminal connections. The fan can either be operated from a separate pullcord switch fitted to the ceiling of the room or can be connected to the light switch so that the fan will start when the light is switched on. A double pole fused spur having a contact separation of at least 3mm in all poles must be used and fitted with a 3amp fuse, and should be sited outside any room containing a shower or fixed bath. The fan should not be accessible to a person using either the shower or the bath.

NOTE: All wiring must be fixed securely and the cable to the fan should be a minimum of 1mm² in section. All wiring must comply with current I.E.E. Regulations. If in any doubt contact a qualified electrician.



Check out our full range of Bathroom Accessories

Bathroom Accessory Sets

Heated Towel Rails

Bathroom Extractor Fans

Bathroom Lighting

Shower Seats

Grab Rails

Shower Curtains

Toilet Brushes

Bathroom Cleaning Products

Wall Mounted Bathroom Accessories

Robe Hooks

Bathroom Tumblers

Toilet Roll Holders

Soap Dishes

Towel Rings

Shower Caddies

Bathroom Mirrors

Standard Bathroom Mirrors

LED Bathroom Mirrors

Shaving Mirrors

plumbworld
Big brands, small prices.