

# Installation & Wiring Instructions

100mm, FANS

FIG.1. Abb.1. OBR.1

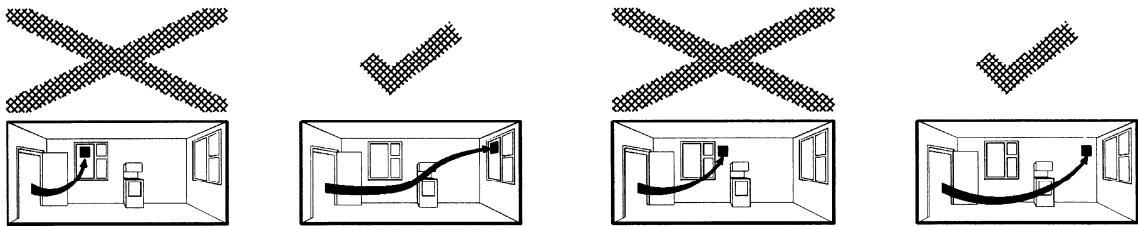


FIG.2. Abb.2. OBR.2

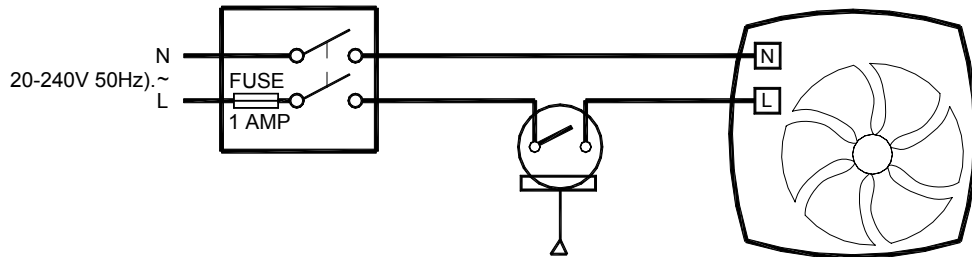


FIG.3. Abb.3. OBR.3

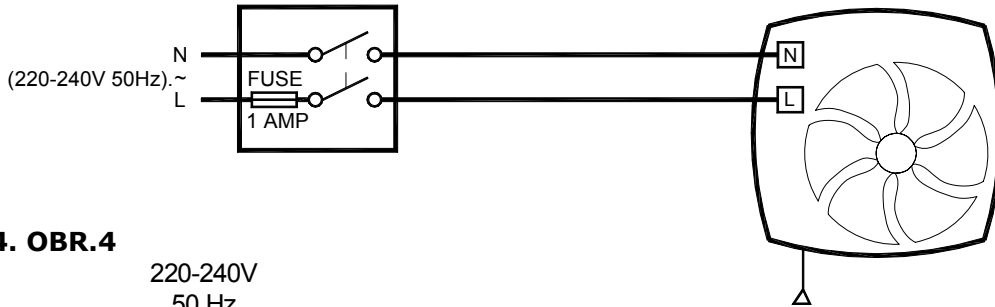
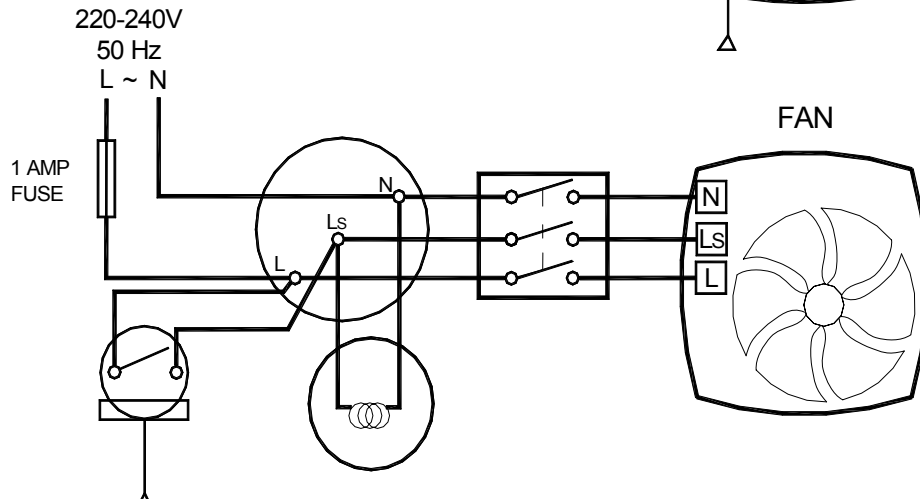


FIG.4. Abb.4. OBR.4



## **READ INSTRUCTIONS IN CONJUNCTION WITH THE ILLUSTRATIONS**

### **IMPORTANT**

1. ALWAYS ENSURE THAT THE INSTALLATION CONFORMS TO THE CURRENT EDITION OF THE IEE WIRING REGULATIONS, BS7671 OR APPROPRIATE NATIONAL REGULATIONS AND/OR STANDARDS IN YOUR COUNTRY.
2. THE FAN SHOULD BE SITED AWAY FROM DIRECT SOURCES OF HEAT IN EXCESS OF 40°C.
3. IF THE FAN IS INSTALLED IN A ROOM CONTAINING A FUEL BURNING APPLIANCE, THE INSTALLER MUST ENSURE THAT THE AIR REPLACEMENT IS ADEQUATE FOR BOTH THE FAN AND THE FUEL BURNING APPLIANCE.
4. WIRING SHOULD BE VIA A SUITABLE 2 POLE ISOLATOR WITH A SEPARATION OF AT LEAST 3mm. THE FUSE RATING SHOULD BE 1 AMP (UK ONLY). IF THE EXTRACTOR FAN IS SITED IN A ROOM WITH A FIXED BATH OR SHOWER, THE SWITCH SHOULD BE LOCATED OUTSIDE THE ROOM.
5. ALL REGULATIONS AND REQUIREMENTS MUST BE STRICTLY FOLLOWED TO PREVENT HAZARDS TO LIFE AND PROPERTY BOTH DURING AND AFTER INSTALLATION, AND DURING ANY SUBSEQUENT SERVICING AND MAINTAINANCE.
6. MANUFACTURERS OF SOME FLUORESCENT/LOW ENERGY LIGHTING SYSTEMS INDICATE THAT THESE CAN INTERFERE WITH OTHER ELECTRONIC/TIMING CIRCUITS. FOR RELIABLE OPERATION WE RECOMMEND THAT TUNGSTEN FILAMENT LIGHTING IS USED.
7. THIS UNIT MUST ONLY BE FITTED AND ADJUSTED BY SUITABLY QUALIFIED PERSONNEL.
8. THE APPLIANCE IS NOT INTENDED FOR USE BY YOUNG CHILDREN OR INFIRM PERSONS WITHOUT SUPERVISION.
9. YOUNG CHILDREN SHOULD BE SUPERVISED TO ENSURE THAT THEY DO NOT PLAY WITH THE APPLIANCE.
10. FANS USED FOR TROPICAL CLIMATES

### **DESCRIPTION**

The 100mm fan is an axial extraction fan suitable for domestic bathrooms and W.C's. These are available as window, wall or panel mounted models with shutter, timer, pull cord and auto-humidity control option combinations.

Complies with the requirements of European Directives 73/23/EEC (LVD), 89/336/EEC (EMC)

### **FAN LOCATION**

A short circuit of the airflow should always be avoided, Fig.1. by siting the fan as far away as possible from, and opposite to the main source of, air replacement in the room.

The Humidistat and shuttered Humidistat models are fitted with Automatic Electronic Humidity sensing.

Since the humidity sensor needs free air circulation, do not site close to cupboards etc. Do not site above a radiator or other heat source.

Pull Cord versions are not suitable for ceiling mounting.

### **FITTING INSTRUCTIONS**

#### **A. PANEL MODEL**

1. This model should be installed into a closed duct system or protected by an exterior air grille.
2. Cut a 105mm diameter hole for 100mm fans.
3. Loosen the screw at the bottom of the grille and remove the front grille. Mark the screw centres through the holes in the fan back plate. Drill, plug and screw into position.
4. After installation, ensure impeller rotates freely.

#### **B. WINDOW MODEL** NOTE:- WHEN INSTALLING A FAN THROUGH A WINDOW CARE SHOULD BE TAKEN TO ENSURE THAT THE EXTERIOR GRILLE IS AT LEAST 2.3M ABOVE GROUND LEVEL

1. Cut a 105mm diameter hole in the glass for 100mm fans.
2. Fit spacer(s) as required behind the fan back plate engaging the locating pips in the corner holes.
3. Pass the fan spigot through the hole in the glass from the inside, with a foam gasket on each side of the glass.
4. From the outside place on the remaining spacer, with the locating pips facing outwards. For double-glazing and materials up to 40mm thick, one or more spacers may be discarded. Ensure the drain holes in the external spacer(s) face downwards.
5. Draw the assembly together with the threaded fixing ring. Do not over-tighten.
6. Fix the exterior grille in position, using the screws provided, with the louvres pointing downwards.
7. After installation, ensure impeller rotates freely.

#### **C. Wall Model**

1. Cut a 115mm diameter hole for 100mm fans, through the wall and insert the wall sleeve. Slope the sleeve slightly downwards away from the fan. Cut to length and cement both ends into position flush with the wall faces.
2. Loosen the screw in the bottom of the grille and remove the front grille. Mark the screw centres through the holes in the fan back plate. Drill, plug and screw into position. Fix exterior grille into position with the louvres positioned downwards.
3. After installation, ensure impeller rotates freely.

## **WIRING INSTRUCTIONS**

**WARNING: ENSURE THAT THE MAINS SUPPLY IS SWITCHED OFF BEFORE MAKING ELECTRICAL CONNECTIONS.**

The extraction fan is suitable for connection to 220-240V 50Hz supply. It is a class II double insulated product and **MUST NOT** be earthed.

There are two methods of cable entry to the fan. If recessed wiring is used remove the round knock-out adjacent to the cable clamp on the fan back plate. If surface wiring is used, remove the 'U' shaped knock-out in the left hand side of the cover and fit the grommet (supplied) in the corresponding recess on the fan back plate. The grommet collar should face outwards.

Electrical connections depend upon the type of fan being installed and the required mode of operation. After wiring is complete replace the grille, turn on mains supply and check operation.

### **A. BASIC FAN / SHUTTERED FAN TYPE**

Single speed fan. Controlled by remote switch (e.g. light switch or Auto sensor) Fig.2.

### **B. TIMER / SHUTTERED TIMER TYPE**

Single speed with overrun timer and thermo-electric shutter. The fan must be wired to a lighting circuit switch. Fig.4.

When switched 'ON', the fan will operate at full speed and will continue to run for a pre-set time after the switch is turned 'OFF'.

### **TIMER ADJUSTMENT**

*BEFORE ADJUSTING THE TIMER, SWITCH OFF THE MAINS SUPPLY. TIMER SHOULD ONLY BE ADJUSTED BEFORE OR DURING INSTALLATION.*

1. Remove the fan grille. The controller is factory set at 15 minutes approx.
2. To REDUCE the operating time, use a small screwdriver to turn the adjuster CLOCKWISE.
3. To INCREASE the operating time, use a small screwdriver to turn the adjuster ANTI-CLOCKWISE.
4. Replace the fan grille.

### **C. HUMIDISTAT / SHUTTERED HUMIDISTAT TYPE**

The fan contains an integral humidity controller. In automatic mode the controller switches the fan on at full speed when the room Relative Humidity (RH) reaches the set-point. The fan will continue to run until the room RH falls below the set-point.

The integral pull cord or remote switch will switch between automatic humidity control and manual override. There is no permanent OFF position.

Use Fig.3. for wiring the product for manual override using the internal pull switch.

### **PLEASE NOTE:-**

Upon installation it is possible that the humidity controller will make the fan run continuously until it has acclimatised to the environment.

Humidity Set-Point adjustment

*BEFORE ADJUSTING THE CONTROLLER, SWITCH OFF THE MAINS SUPPLY. HUMIDISTAT SHOULD ONLY BE ADJUSTED BEFORE OR DURING INSTALLATION.*

1. Remove the fan grille. The controller is factory set to switch on at about 70% RH.
2. To LOWER the set-point use a small screwdriver to turn the adjuster ANTI-CLOCKWISE. This makes the controller MORE sensitive.
3. To RAISE the set-point use a small screwdriver to turn the adjuster CLOCKWISE. This makes the controller LESS sensitive.
4. Replace the fan grille.

### **NOTE! DO NOT TOUCH HUMIDITY SENSOR**

### **Shutter Operation**

With the shuttered fan types the shutters will open approximately one minute after the fan is turned on. The shutter will close about a minute after the fan is switched off.

### **Pull Cord Versions**

Before replacing the fan grille, make sure that the pull-cord is lying to the left of the pillar and passes through the cord guide slot.



This product should not be disposed of with household waste. Please recycle where facilities exist. Check with your local authority for recycling advice.



# Check out our full range of Bathroom Accessories

Bathroom Accessory Sets

Heated Towel Rails

Bathroom Extractor Fans

Bathroom Lighting

Shower Seats

Grab Rails

Shower Curtains

Toilet Brushes

Bathroom Cleaning Products

## Wall Mounted Bathroom Accessories

Robe Hooks

Bathroom Tumblers

Toilet Roll Holders

Soap Dishes

Towel Rings

Shower Caddies

## Bathroom Mirrors

Standard Bathroom Mirrors

LED Bathroom Mirrors

Shaving Mirrors

**plumbworld**  
**Big brands, small prices.**