

# QuietAir QT100

Toilet, bathroom and en-suite ventilation



## KEY FEATURES

- Axial fan
- Two speed ventilation up to 90 m<sup>3</sup>/h
- Awarded Quiet Mark by Noise Abatement Society
- Extremely quiet, noise levels as low as 25 dB(A)
- Power consumption from only 5 W
- Interval timer for routine auto extraction
- Very low SFP of 0.24 W/l/s
- Long life ball-bearing motor 40,000 hours
- Integral flow straightener / backdraught flap
- Powerful extraction for longer ducts
- Suitable for installation anywhere in Zone 1 of bathrooms when installed with an RCD
- IP45 rating
- Complies with Building Regulations
- 3 year warranty

## QT100 range

The whisper quiet QuietAir QT100 is designed to provide powerful extraction levels that exceed the requirements of the latest Building Regulations.

The QuietAir QT100 is the quietest fan available complying with Building Regulations “Installed Performance” requirements when ducted.

QuietAir is a range of elegant, discreet axial fans that are extremely quiet with various control options that

activate the fan only when needed – remote switching, timer, humidity timer and motion sensor with timer. By using exceptionally low energy this helps to reduce carbon emissions and also save on your energy bills. It has a high efficiency impeller for extraction through up to 12 m of rigid ducting and still complies with the Building Regulations.

Room refresh (interval timer) enables automatic extraction at pre-set times if required.



## MODELS

<b>Basic</b>	Control by remote switch
<b>Timer</b>	Adjustable timer overrun of 6,10,15 or 21 minutes
<b>Humidity Timer</b>	Adjustable Humidity 60 to 90% RH with adjustable timer
<b>Motion Sensor Timer</b>	Motion sensor activation



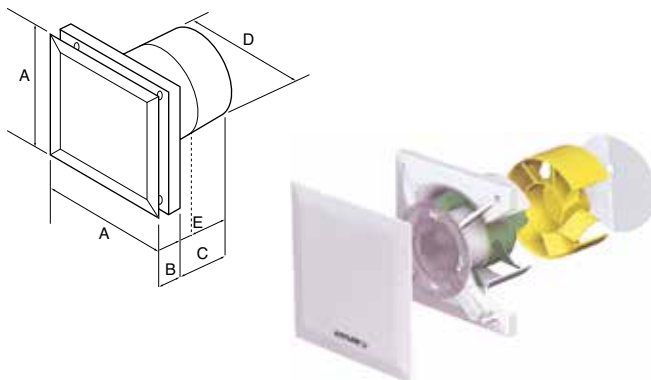
reddot design award



## TECHNICAL DATA

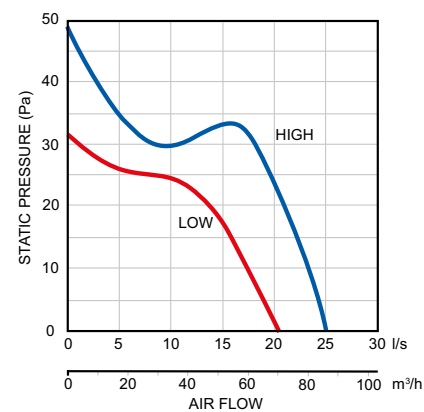
Specification	QuietAir QT100B	QuietAir QT100T	QuietAir QT100HT	QuietAir QT100MST
<b>Air flow m<sup>3</sup>/h*</b>	75 / 90	75 / 90	75 / 90	75 / 90
<b>Air flow l/s*</b>	21 / 25	21 / 25	21 / 25	21 / 25
<b>Fan type</b>	Axial	Axial	Axial	Axial
<b>Controls</b>	Basic	Timer	Humidity Timer	Motion Sensor Timer
<b>Mounting</b>	Wall / Ceiling	Wall / Ceiling	Wall / Ceiling	Wall / Ceiling
<b>Sound pressure dB(A)@3m</b>	25 / 30	25 / 30	25 / 30	25 / 30
<b>Delay start (min)</b>	No	2	2	No
<b>Adjustable timer (min)</b>	No	6,10,15,21	6,10,15,21	15
<b>Adjustable humidity (%RH)</b>			60 - 90	
<b>Interval timer, auto start (hrs)</b>		0,8,12,24		
<b>Power Watts</b>	5 / 9	5 / 9	5/9	5/9
<b>Amps</b>	0.04 / 0.06	0.04 / 0.06	0.04/0.06	0.04/0.06
<b>Specific Fan Power (SFP)</b>	0.24	0.24	0.24	0.24
<b>Building Regulations ADF</b>	Yes	Yes	Yes	Yes
<b>Duct Diameter (mm)</b>	100	100	100	100
<b>Voltage</b>	230 V / 1 ph / 50 Hz	230 V / 1 ph / 50 Hz	230 V / 1 ph / 50 Hz	230 V / 1 ph / 50 Hz
<b>Rating</b>	IP45	IP45	IP45	IP45
<b>Max ambient temperature</b>	40°C	40°C	40°C	40°C
<b>Weight (kg)</b>	0.8	0.8	0.8	0.8
<b>Dimensions (H x W x D) mm</b>	147 x 147 x 131	147 x 147 x 131	147 x 147 x 131	147 x 147 x 131
<b>Part No.</b>	<b>9041259</b>	<b>9041260</b>	<b>9041261</b>	<b>9041262</b>

## DIMENSIONS (mm)



Model	A	B	C	D	E
<b>QuietAir QT100</b>	147	35	96	98	52

## PERFORMANCE



## CONTROLS AND ACCESSORIES

A range of accessories including flexible and rigid ducting kits, controls, switches and grilles are available.

See accessories section for more details.

Call: 01494 525252

Visit: [airflow.com](http://airflow.com)



**Airflow Developments Limited**  
Aidelle House, Lancaster Road,  
Cressex Business Park,  
High Wycombe, Buckinghamshire,  
United Kingdom, HP12 3QP

E-mail: [info@airflow.com](mailto:info@airflow.com)  
Telephone: +44 (0) 1494 525252

[airflow.com](http://airflow.com)

© Airflow Developments Limited. Airflow Developments Limited reserve the right, in the interests of continuous development, to alter specifications without prior notice. All orders are accepted subject to our conditions of sale which are available on request



80001414 - Issue 1 07/23