

# iCON 60

Stylish large bathroom, utility room and kitchen ventilation



## KEY FEATURES

- Mixed flow fan
- Flow rate up to 280 m<sup>3</sup>/h
- Recess or surface mounting
- Different colour covers available
- Perfect for longer duct runs
- Unique iris shutter, prevents backdraughts, operates silently
- Interchangeable control modules match fan to installation requirements
- Circular design, no squaring up
- IPX4 rating
- Complies with Building Regulations
- 3 year warranty

## iCON 60

iCON 60 is the largest, most powerful fan in the range. It is suitable for recessed or surface mounting in walls or ceilings and is highly efficient in domestic kitchens, large bathrooms and utility rooms.

iCON 60 is designed to provide ventilation levels that comply with the latest Building Regulations.

The iCON fan is an efficient, stylish and unique ventilation solution for the modern home. The shutter design makes switching on and off almost silent and helps reduce external noise ingress. The slim profile and iris shutter of the iCON make it a fan which will blend discreetly into any setting.



## MODULES

See module functionality page

<b>72573602</b>	PCM	Pull cord
<b>72612601</b>	TM	Timer
<b>72675702</b>	DTM	Delayed timer with pull cord
<b>72687103</b>	HTM	Humidity timer with pull cord
<b>72687104</b>	PRTM	Motion sensor timer
<b>72687102</b>	PRHTM	Motion sensor with humidity timer
<b>72675703</b>	2SHM	2 speed humidity with pull cord boost

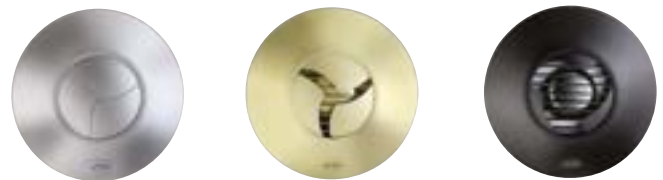


## TECHNICAL DATA

Specification	iCON 60
Air flow [m³/h / l/s]	280 / 78
Fan type	mixed flow
Mounting position	wall / ceiling
Sound pressure @ 3 m [dB(A)]	41.6
Power [W]	66.3
Building regulations	compliant
Duct diameter [mm]	150
Supply voltage	230 V / 1ph / 50 Hz
Ingress protection rating	IPX4
Max ambient temperature [°C]	40
Weight [kg]	1.97
Dimensions H x W x D [mm]	280 x 280 x 165
Part number	<b>72591701</b>

## COVERS

<b>52634510</b>	Silver
<b>52634511</b>	Sandstone
<b>52634509</b>	Anthracite

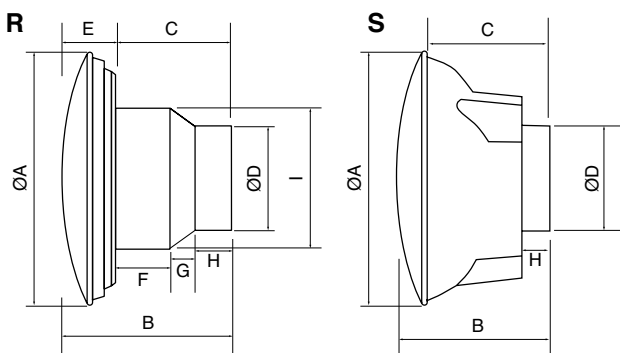


Silver

Sandstone

Anthracite

## DIMENSIONS (mm)

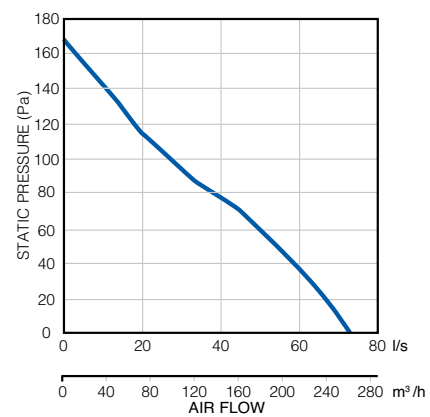


**R** = Recessed without skirt

**S** = Surface mounted with skirt

Model	A	B	C	D	E	F	G	H	I
<b>iCON 60 R</b>	280	165	110	148	55	38	20	52	177
<b>iCON 60 S</b>	280	165	80	148	-	-	-	46	-

## PERFORMANCE



## CONTROLS AND ACCESSORIES

A range of accessories including flexible and rigid ducting kits, controls, switches and grilles are available.

See accessories section for more details.

Call: 01494 525252

Visit: [airflow.com](http://airflow.com)



**Airflow Developments Limited**  
Aidelle House, Lancaster Road,  
Cressex Business Park,  
High Wycombe, Buckinghamshire,  
United Kingdom, HP12 3QP

E-mail: [info@airflow.com](mailto:info@airflow.com)  
Telephone: +44 (0) 1494 525252

[airflow.com](http://airflow.com)

© Airflow Developments Limited. Airflow Developments Limited reserve the right, in the interests of continuous development, to alter specifications without prior notice. All orders are accepted subject to our conditions of sale which are available on request



# Check out our full range of Bathroom Accessories

Bathroom Accessory Sets

Heated Towel Rails

Bathroom Extractor Fans

Bathroom Lighting

Shower Seats

Grab Rails

Shower Curtains

Toilet Brushes

Bathroom Cleaning Products

## Wall Mounted Bathroom Accessories

Robe Hooks

Bathroom Tumblers

Toilet Roll Holders

Soap Dishes

Towel Rings

Shower Caddies

## Bathroom Mirrors

Standard Bathroom Mirrors

LED Bathroom Mirrors

Shaving Mirrors

**plumbworld**  
**Big brands, small prices.**