

iCON 30

Stylish toilet, bathroom and utility room ventilation



KEY FEATURES

- Mixed flow fan
- Flow rate up to 33 l/s (119 m³/h)
- Recess or surface mounting
- Different colour covers available
- Perfect for longer duct runs
- Unique iris shutter, prevents backdraughts, operates silently
- Interchangeable control modules match fan to installation requirements
- Circular design, no squaring up
- IPX4 rating
- Complies with Building Regulations
- 3 year warranty

iCON 30

iCON 30 is quiet, powerful and designed for recessed or surface mounting in walls or ceilings in larger toilets, bathrooms and utility rooms.

iCON 30 is designed to provide ventilation levels that comply with the latest Building Regulations.

The iCON fan is an efficient, stylish and unique ventilation solution for the modern home. The shutter design makes switching on and off almost silent and helps reduce external noise ingress.

The slim profile and iris shutter of the iCON make it a fan which will blend discreetly into any setting.



MODULES

72573602	PCM	Pull cord
72612601	TM	Timer
72675702	DTM	Delayed timer with pull cord
72687103	HTM	Humidity timer with pull cord
72687104	PRTM	Motion sensor timer
72687102	PRHTM	Motion sensor with humidity timer
72675703	2SHM	2 speed humidity with pull cord boost



reddot design award



TECHNICAL DATA

Specification	iCON 30
Air flow [m ³ /h / l/s]	119 / 33
Fan type	mixed flow
Mounting position	wall / ceiling
Sound pressure @ 3 m [dB(A)]	33.3
Power [W]	11
Building regulations	compliant
Duct diameter [mm]	100
Supply voltage	230 V / 1ph / 50 Hz
Ingress protection rating	IPX4
Max ambient temperature [°C]	40
Weight [kg]	1.11
Dimensions H x W x D [mm]	225 x 225 x 144
Part number	72591601

COVERS

Colour	Part No.	Colour	Part No.
Silver	52634507	Ultimate Grey	52634517
Sandstone	52634508	Turquoise	52634518
Anthracite	52634506	Navy Blue	52634519



Sandstone



Silver



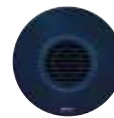
Anthracite



Ultimate Grey

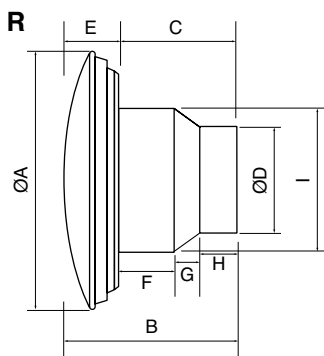


Turquoise

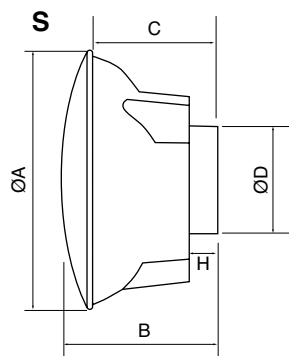


Navy Blue

DIMENSIONS (mm)



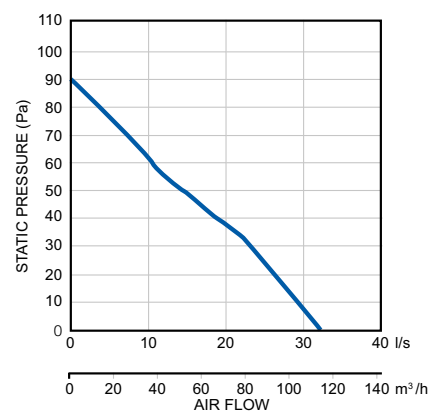
R = Recessed without skirt



S = Surface mounted with skirt

Model	A	B	C	D	E	F	G	H	I
iCON 30 (R)	225	144	92	97	43	51	20	30	148
iCON 30 (S)	225	144	101	97	-	-	-	29	-

PERFORMANCE



CONTROLS AND ACCESSORIES

A range of accessories including flexible and rigid ducting kits, controls, switches and grilles are available.

Call: 01494 525252

Visit: airflow.com



Airflow Developments Limited
Aidelle House, Lancaster Road,
Cressex Business Park,
High Wycombe, Buckinghamshire,
United Kingdom, HP12 3QP

E-mail: info@airflow.com
Telephone: +44 (0) 1494 525252

airflow.com

© Airflow Developments Limited. Airflow Developments Limited reserve the right, in the interests of continuous development, to alter specifications without prior notice. All orders are accepted subject to our conditions of sale which are available on request



80000797 - Issue 3 03/22