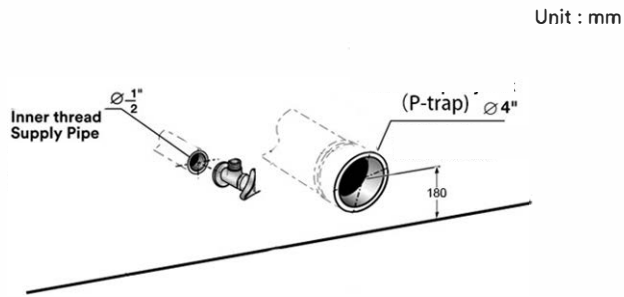
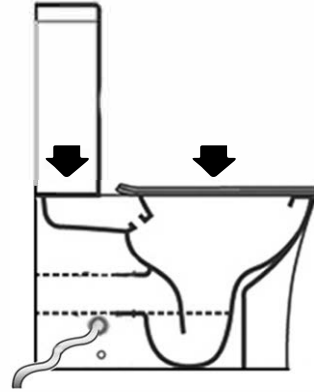


Installation Instruction Of Two Piece Toilet

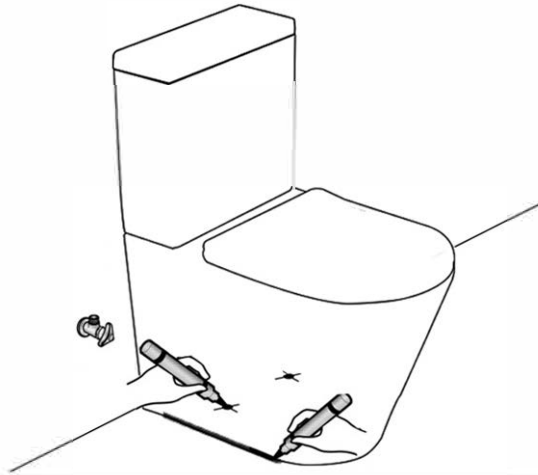
- 1** Lay the drainage pipe and water supply pipe as shown



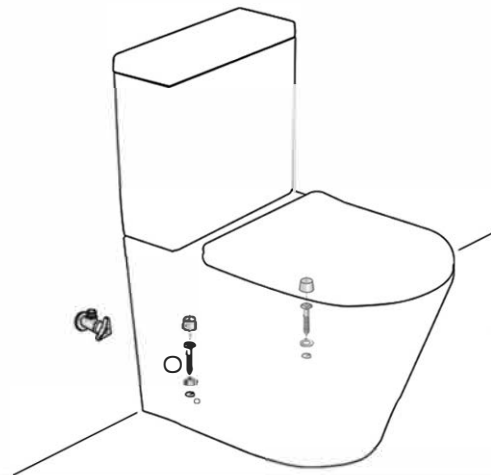
- 2** Fix the tank and the toilet seat



- 3** Mark white cement line or silicone and screw holes



- 4** Fix the toilet and tighten the fixing screws



- 5** Check the overall installation and seal the base

