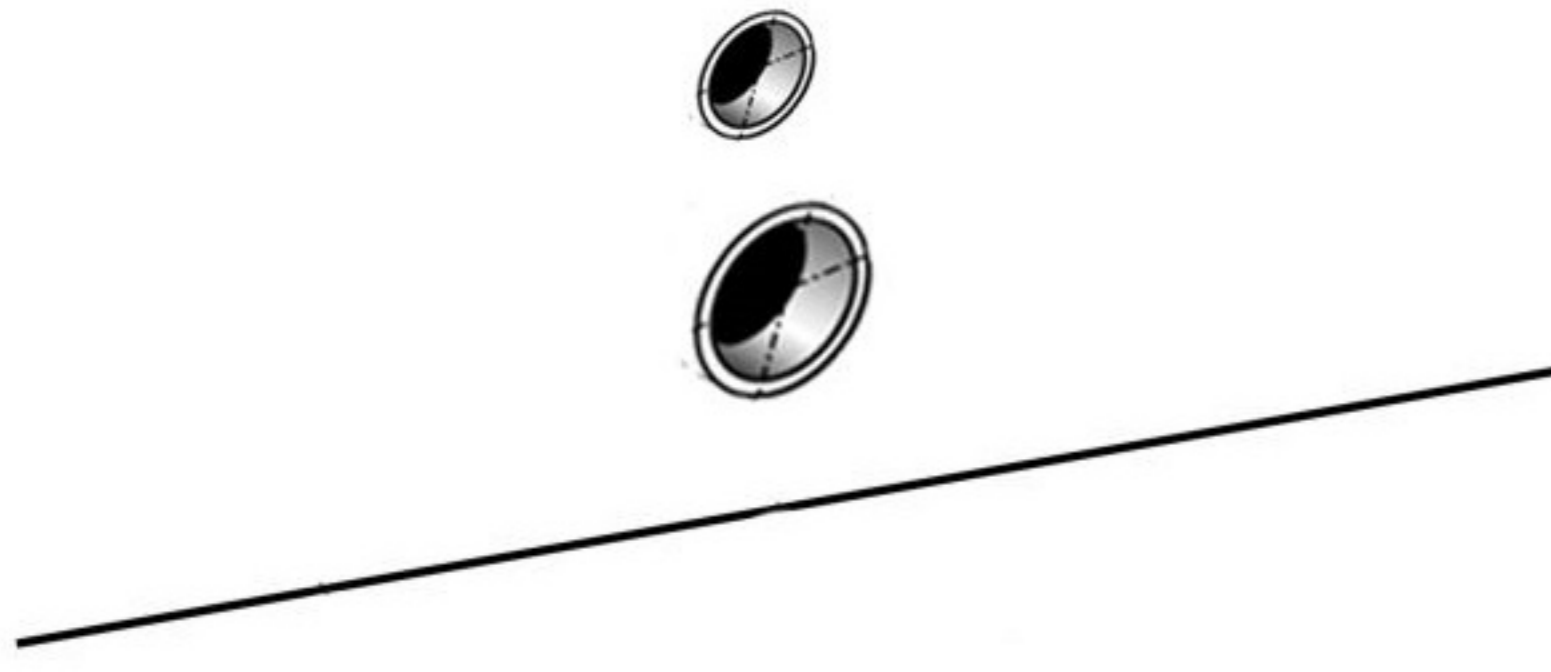
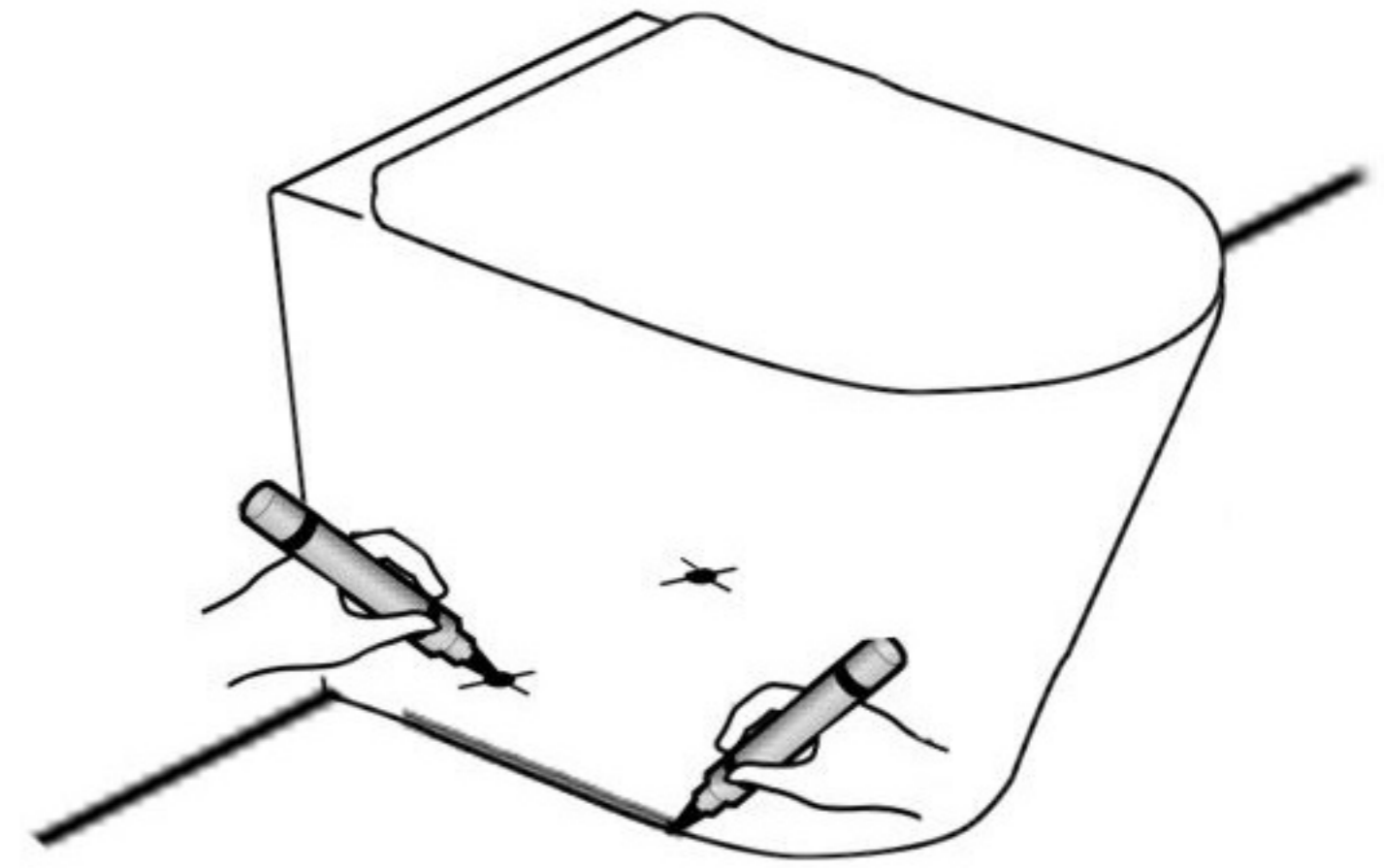


BTW INSTALLATION INSTRUCTION

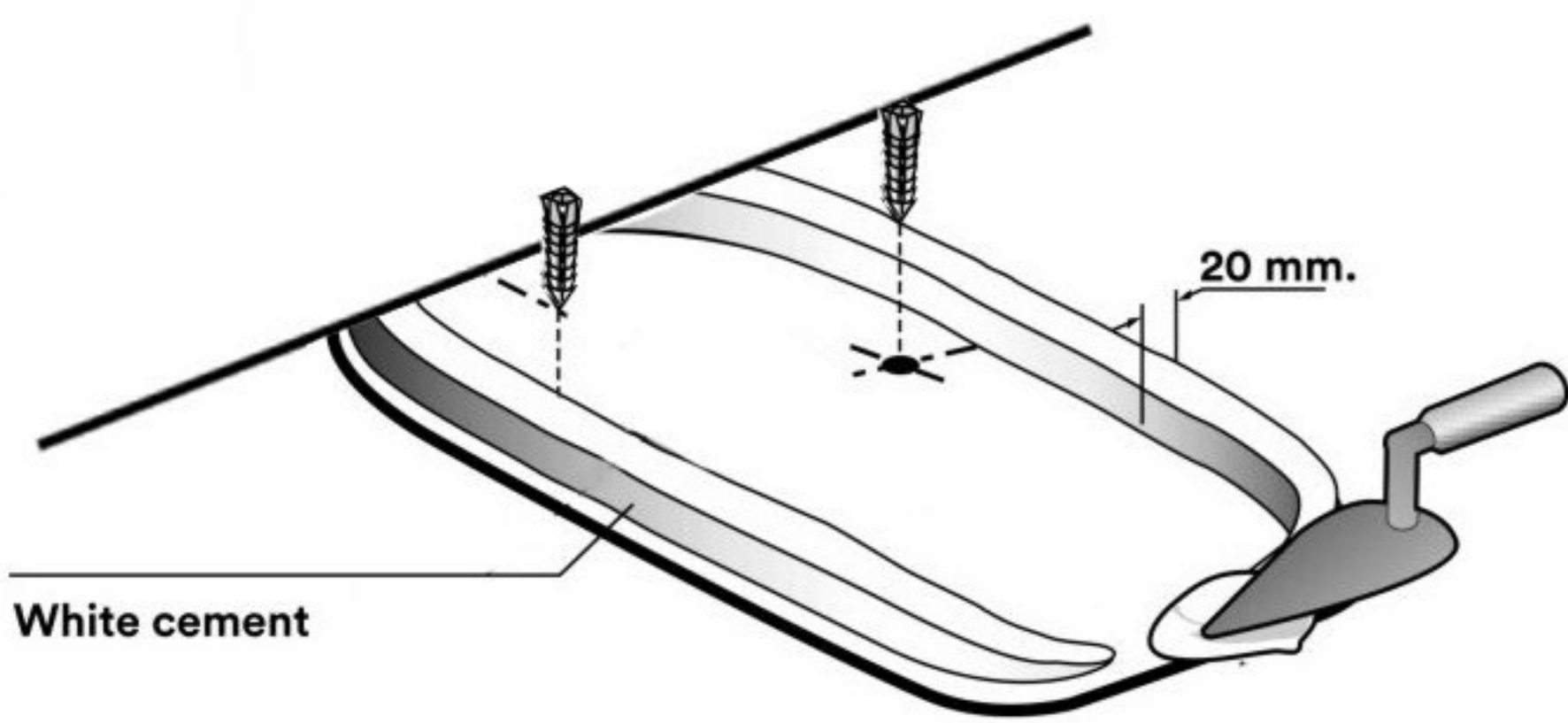
1 Lay the pipe as shown.



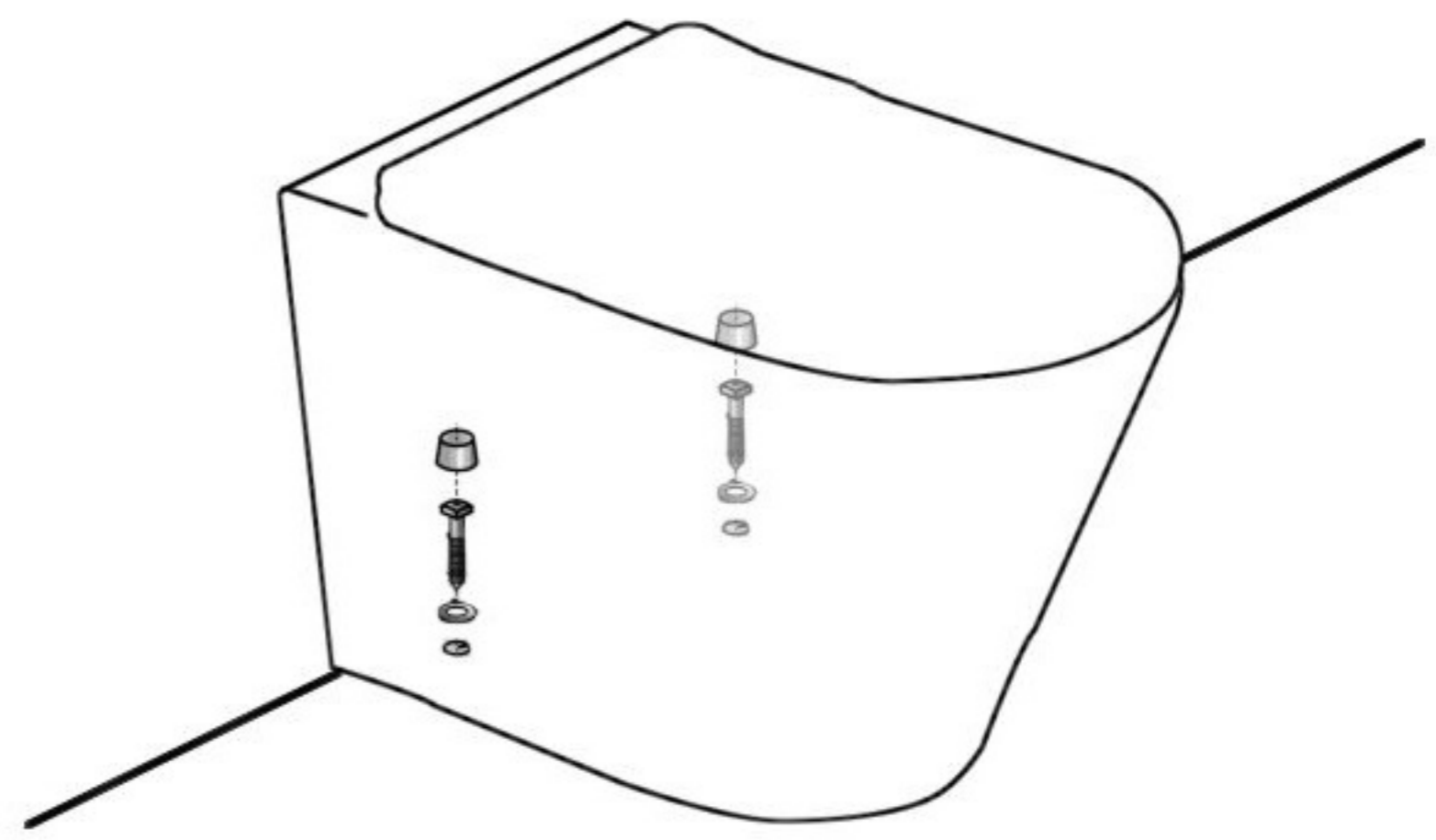
2 Mark white cement line or silicone and screw holes.



3 Lay white cement as mark.



4 Fix the fixing screws.



5 Check the overall installation and seal the base.

