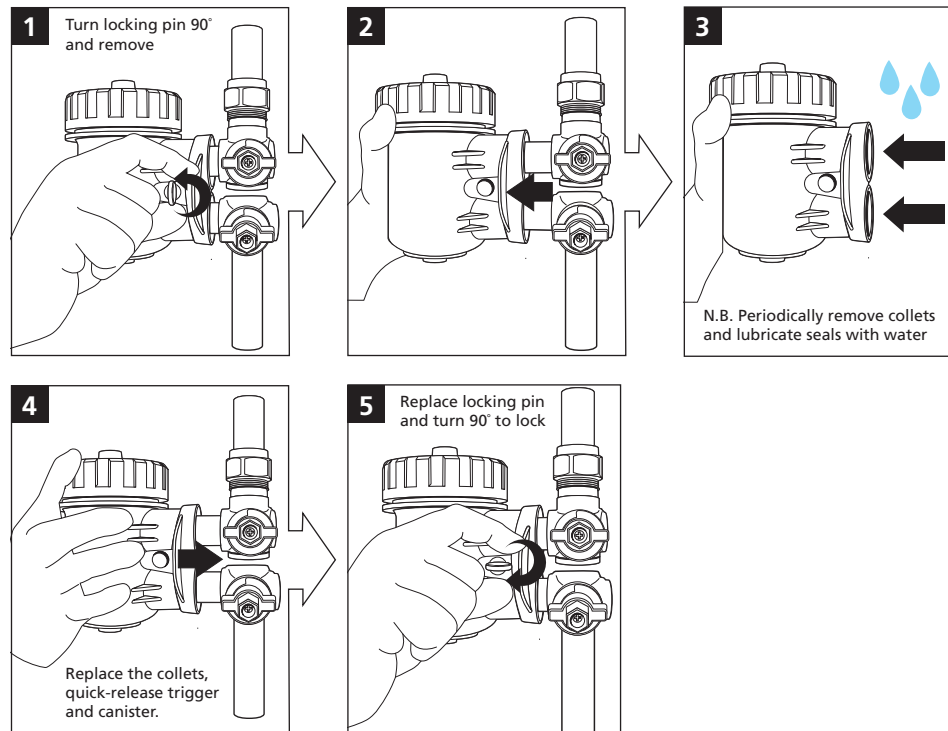


## Quick-release trigger

*MagnaClean*® *Micro2* incorporates a secure, quick-release, trigger which enables the filter to be removed and re-installed in seconds.

The industry leading connections are an integral part of the new *MagnaClean Micro2* design. They enable easy and speedy filter removal during annual servicing or to undertake a *MagnaCleanse* system flush. This also makes it ideal for systems where there is little room to install a filter.

The following instructions are designed to support engineers in the safe and effective servicing of *MagnaClean Micro2* using the quick-release trigger.



### FOR BEST RESULTS

Install and service with *MC1+*, the advanced system inhibitor from the UK's No 1 manufacturer of magnetic filters.

## MagnaClean Micro2

*MagnaClean*® *Micro2* is a proven, high efficiency, full-flow, compact magnetic and non-magnetic filter. It is designed to protect domestic heating systems and remove virtually 100% of suspended black iron oxide.

It delivers exceptional domestic central heating system protection against the damaging effects of black iron oxide sludge and non-magnetic debris in applications where space is extremely limited.

The compact in-line and rapid fit filter not only helps reduce heating energy bills and extend the operational life of the system, it also helps reduce maintenance costs and carbon emissions.

**IMPORTANT** Always follow the Standard Electrical Best Practice guidelines when installing a *MagnaClean* filter. A copy of these guidelines can be found at [www.hse.gov.uk/electricity](http://www.hse.gov.uk/electricity)

The inlet and outlet on *MagnaClean Micro2* are reversible and there is no flow restriction. Following installation, don't forget to complete the warranty card.

Alternatively, complete the registration online at [www.adey.com](http://www.adey.com)

This product is backed by a two year limited guarantee.

**ADEY**

PROFESSIONAL HEATING SOLUTIONS

Telephone: 01242 546717 Email: [info@adey.com](mailto:info@adey.com)

[www.adey.com](http://www.adey.com)



Produced from recycled material  
A carbon neutral company

# MagnaClean® Micro2

## Installation and servicing instructions



LF2-01-01366

M06525

**ADEY**

PROFESSIONAL HEATING SOLUTIONS



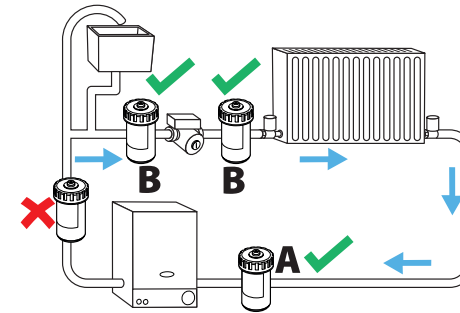
# Installation

**MagnaClean® Micro2** has been developed by the company that pioneered magnetic filtration. ADEY's filters protect more than a million central heating systems in UK homes removing virtually 100% of the damaging suspended black iron oxide sludge that builds up in all heating systems.

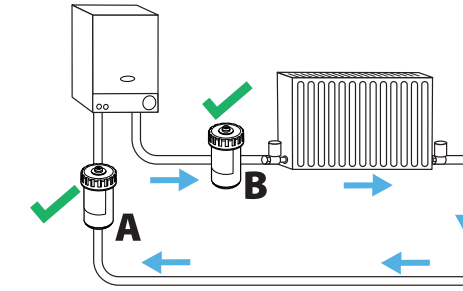
The dual-action filter can be installed anywhere on the main circuit. However, to achieve the best level of protection for the boiler, it is recommended that *MagnaClean Micro2* is fitted after the last radiator and before the boiler.

The following instructions are designed to support engineers in the safe and effective installation and servicing of *MagnaClean Micro2* and should be followed at all times.

Any queries should be directed to your supervisor or ADEY direct on **01242 546717**.



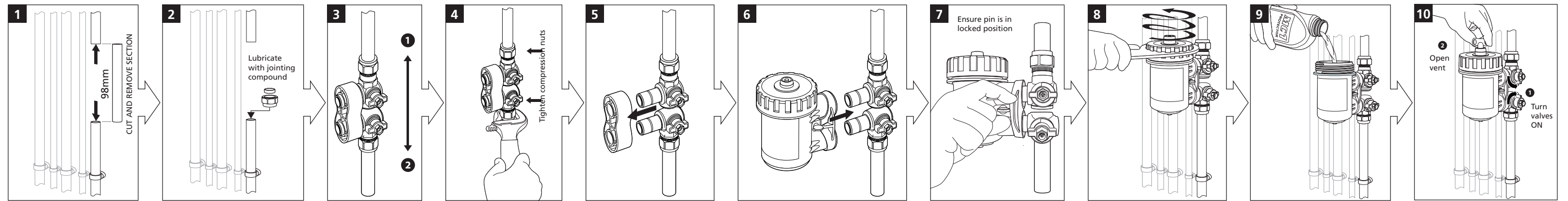
Open vented system



Combi/Sealed system

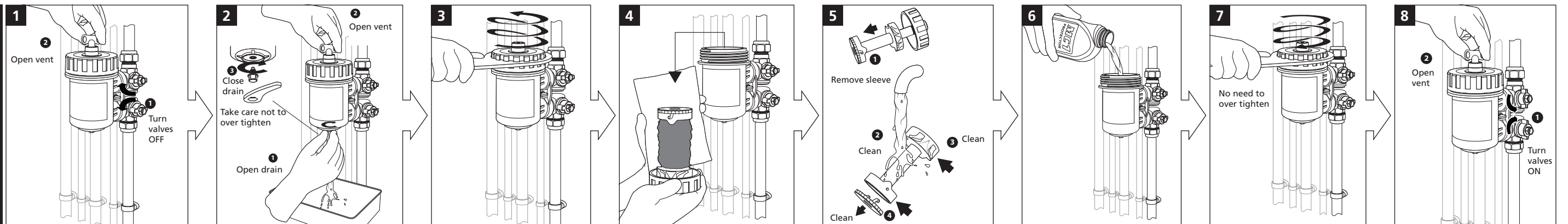
In both diagrams, position A is best practice, while B is suitable.

N.B. We firmly recommend *MagnaClean Micro2* is installed and serviced by a qualified heating engineer.



# Servicing

Your system is protected by  
**MagnaClean®  
 Micro2**  
 Annual service required  
[www.adey.com](http://www.adey.com)



## Check out our full range of Heating Products

Central Heating Controls

Honeywell Heating Controls

Danfoss Heating Controls

Radiator Valves

Fernox

Sentinel

Magnaclean

Warmup underfloor heating

Water Heaters

Hand Dryers

**plumbworld**  
**Big brands, small prices.**