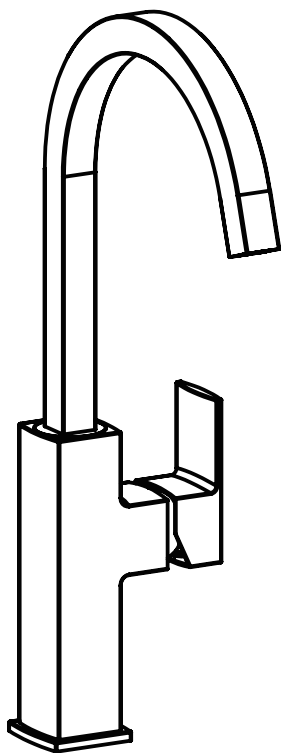


FITTING INSTRUCTIONS



Abberton Square

C7201039_2

About Installation

Care must be taken during installation to prevent damage to the product or injury to the installer.

Installation must be carried out by a qualified and competent person, and in accordance with the instructions supplied with the product.

All installations must comply with Local and National regulations.

Please ensure that you have read and understood all sections of this guide BEFORE installation.

Water Regulations

Although this product has been designed for use in all types of systems, the water supply to your taps must be connected in accordance with the Water Regulations, and good plumbing practice.

We recommend that hot and cold water supplies to the tap are at equal pressure, in order to give consistent flow. If this is not possible, non-return valves **must** be fitted to both supplies in accordance with current Water Regulations. These recommendations apply to both mains and tank fed systems.

Flushing

The Water Regulations requires fittings to be flushed before first use (Schedule 2 Paragraph 13). We recommend that supplies are **thoroughly flushed** to remove debris **BEFORE** making any pipe connection to the tap. Failure to do so could result in damage to the product or unsatisfactory performance.

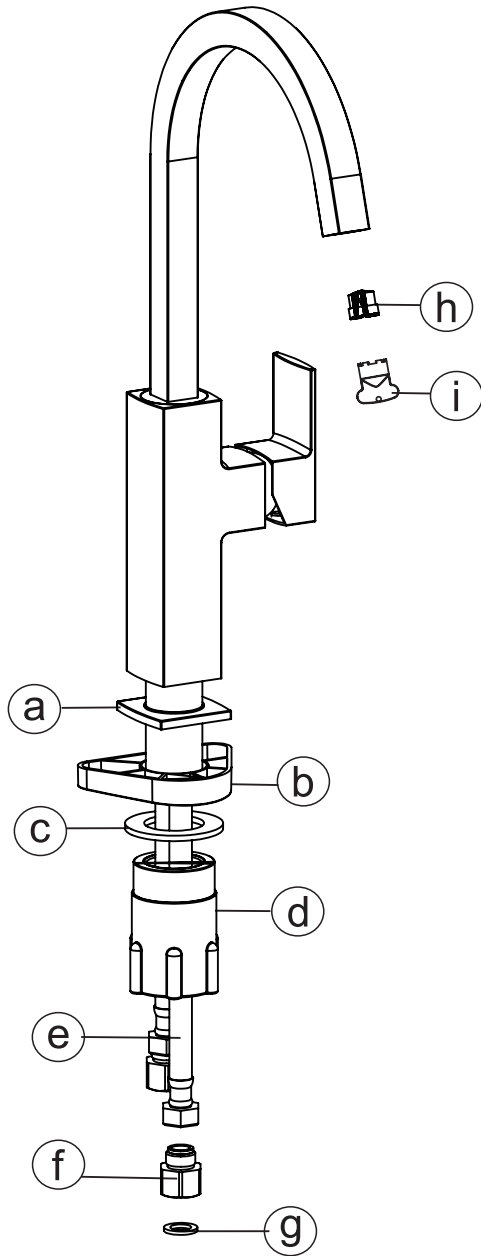
Water Pressure

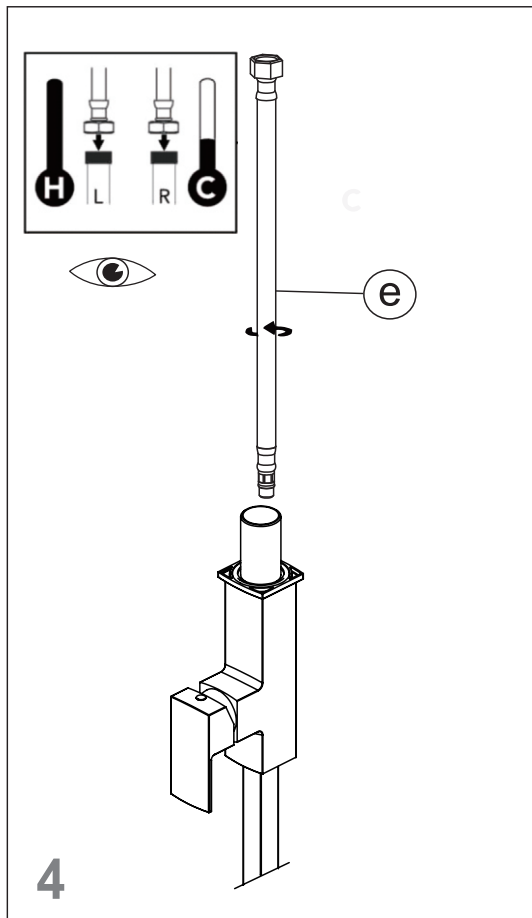
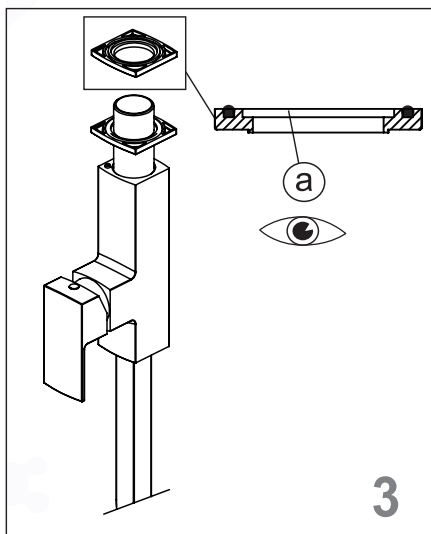
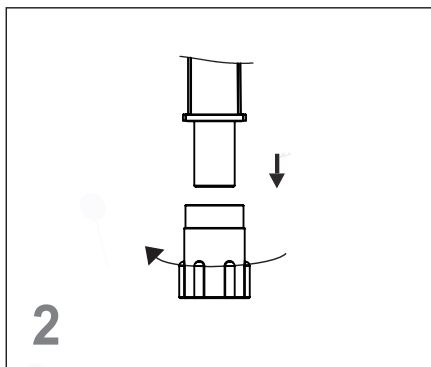
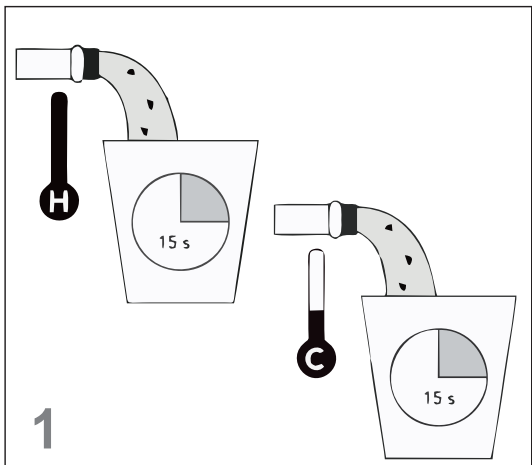
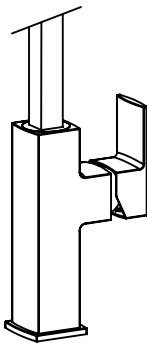
Our products are typically suitable for use with a water supply pressure between **0.1 bar** and **6 bar**.*

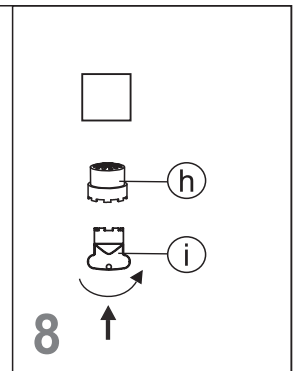
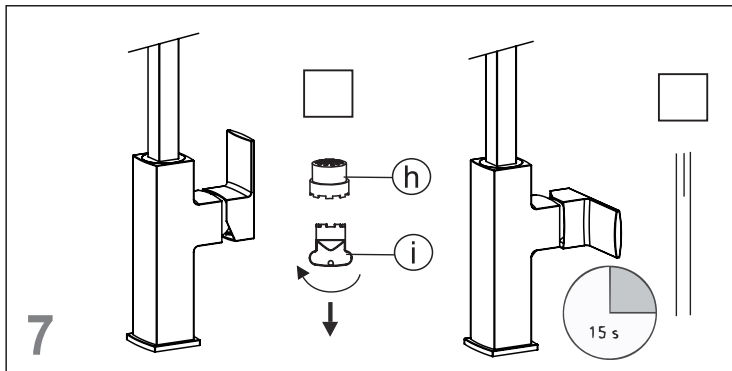
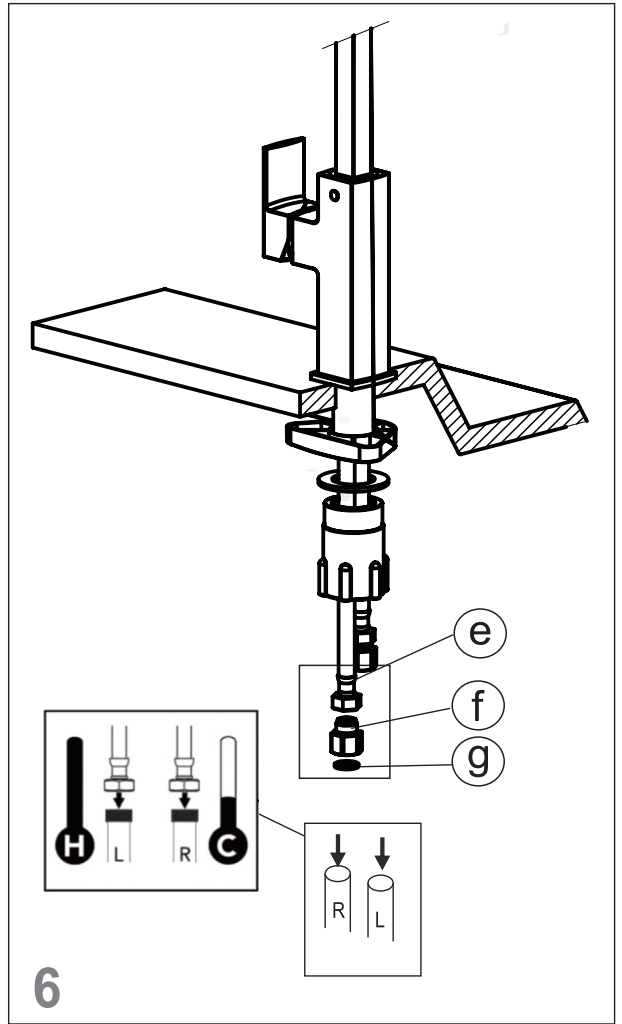
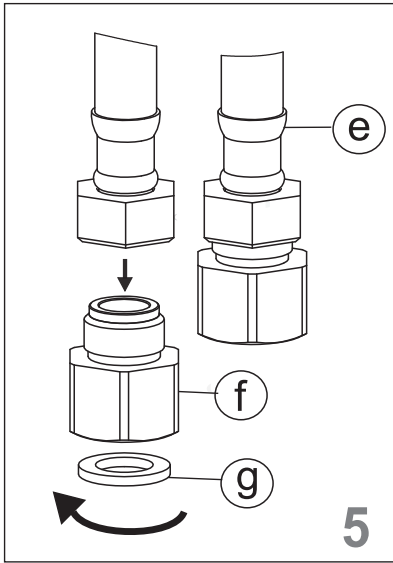
At high pressure, excessive flow may be reduced by fitting **Flow Restrictors**. Fitting **Stop Valves** or **Service Valves** in the pipework will allow your tap to be conveniently isolated for maintenance.

NOTE Mixers are typically supplied with both a standard **Flow Straightener & Aerator**.* **Aerator** should be used if high pressure system to reduce splashing and **Flow Straightener** if low pressure system to increase flow rate.

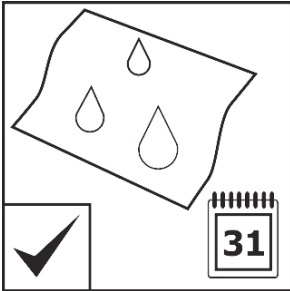
***PLEASE REFER TO AVAILABLE PRODUCT DATA FOR EXACT PARAMETERS / SPECIFICATION.**



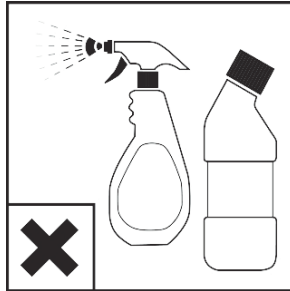




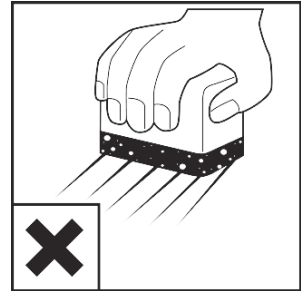
Care and Maintenance



- Use a soft damp cloth to clean the tap
- Use a soft cloth to dry the tap
- You can use mild detergent to clean



- Never use concentrated or strong bleach when cleaning



- Never use abrasive household cleaners or scourers
- Avoid using sharp tools

Installer Notes