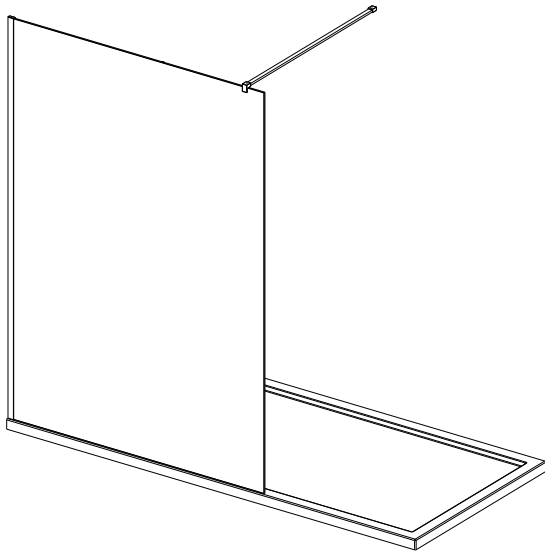
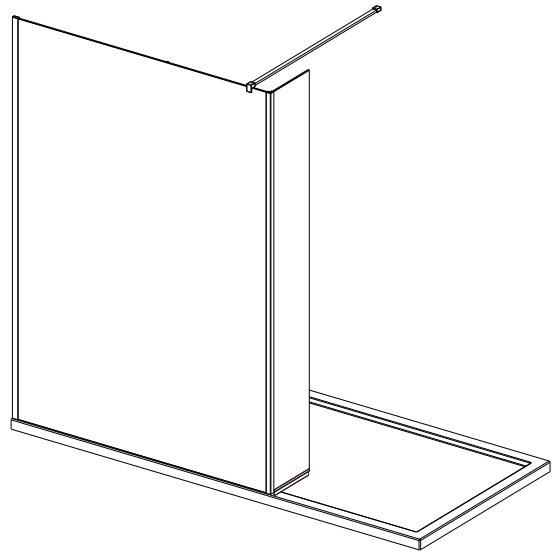


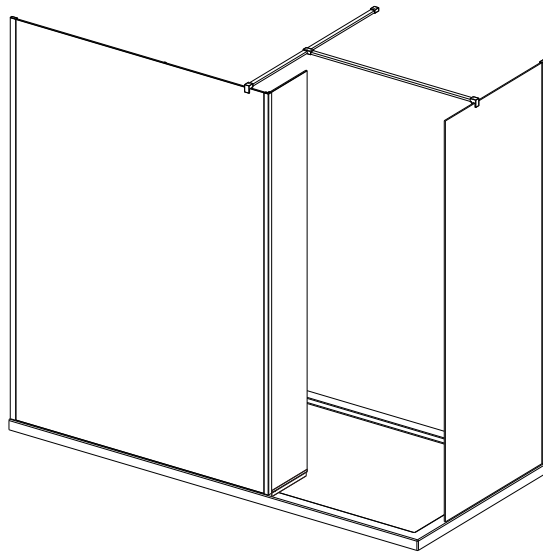
8MM WET ROOM SCREEN GUIDE



A



B

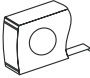


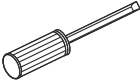
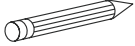
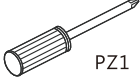
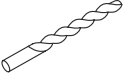
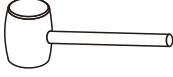


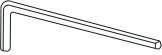




C

General Information

Please inspect this product upon delivery. Any missing parts or manufacturing defects must be reported immediately to the supplier. Damage or defects reported later will not be accepted. TAKE CARE WHEN HANDLING GLASS PARTS-AVOID HEAVY CONTACT BETWEEN THE GLASS EDGES AND ANY HARD SURFACE. Glass breakage claims will not be accepted after the product has been unpacked.

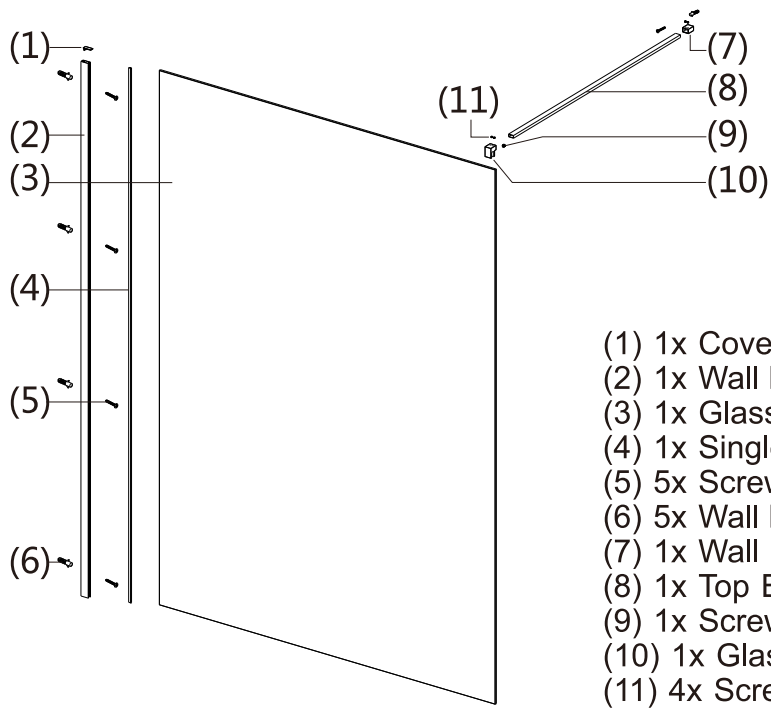
TOOLS REQUIRED

DESCRIPTION	PART IMAGE	DESCRIPTION	PART IMAGE
Tape measure		Drill	
Spirit level		Flat-head Screwdriver	
Pencil		Cross head Screwdriver	
Ø6mm Drill bit		Mallet	
Ø3mm Drill bit		Silicone Sealant	
Ø2.5mm Hexagon Wrench		Ø4mm Hexagon Wrench	

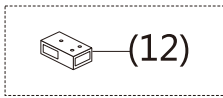
 This product is heavy and may require two people to install.

ASSEMBLY INSTRUCTIONS - DRAWING

A

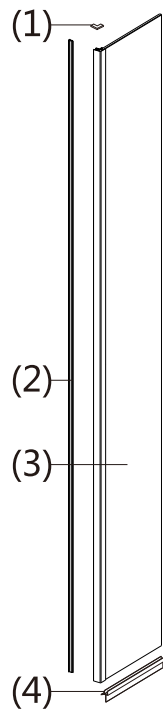


- (1) 1x Cover Cap (Wall Profile)
- (2) 1x Wall Profile
- (3) 1x Glass panel
- (4) 1x Single Seal
- (5) 5x Screws 4x30
- (6) 5x Wall Plugs
- (7) 1x Wall Bracket
- (8) 1x Top Bar
- (9) 1x Screw Cap
- (10) 1x Glass Clamp
- (11) 4x Screws M5×5



- (12) 1x T piece(Only for 700-900)

B



- (1) 1x Corner Post Top Cap
- (2) 1x Single Seals
- (3) 1x Return Panel
- (4) 1x Bottom Seal

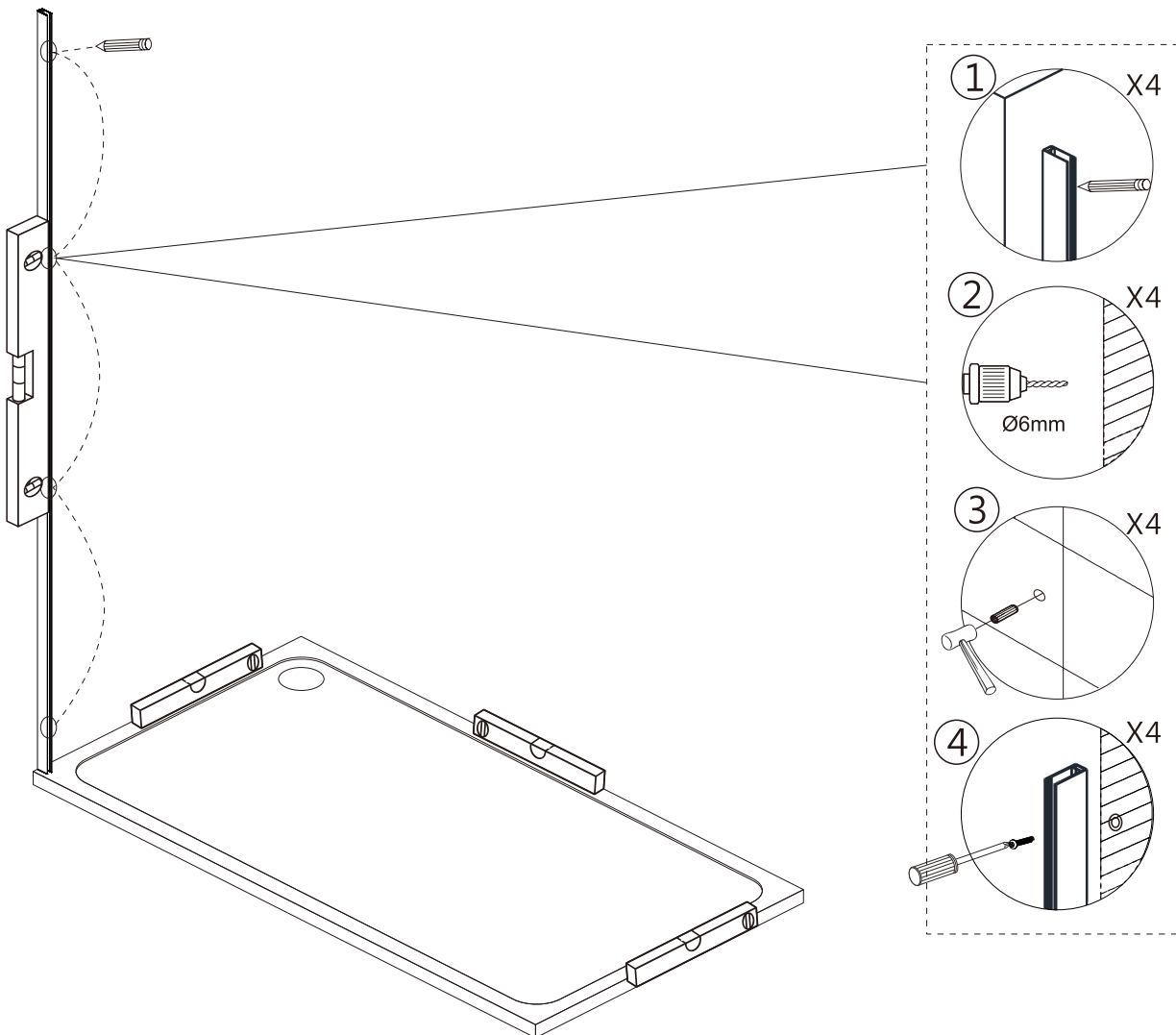
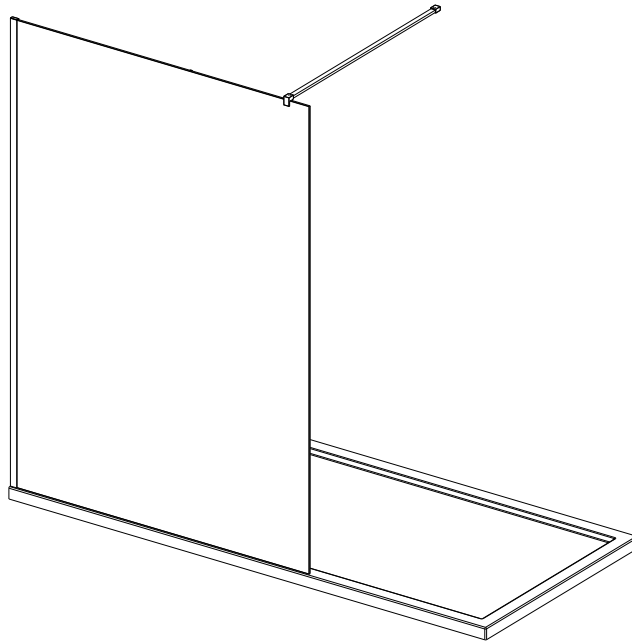
Before Installation

If installing wet room screens with a tray, Please ensure that the shower tray is level and checked with a spirit level. The tray should be installed first.

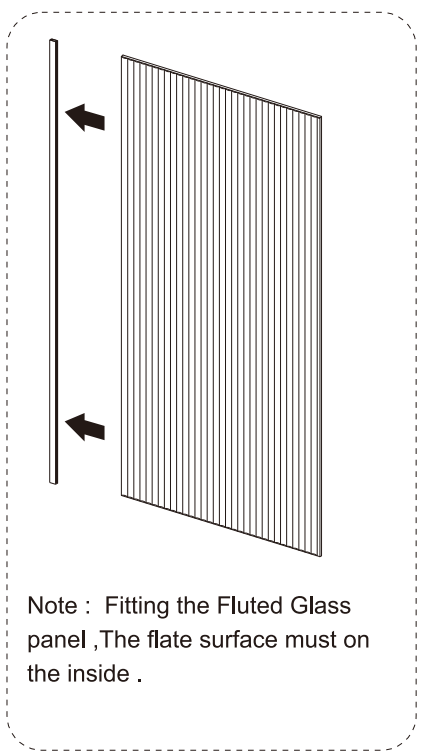
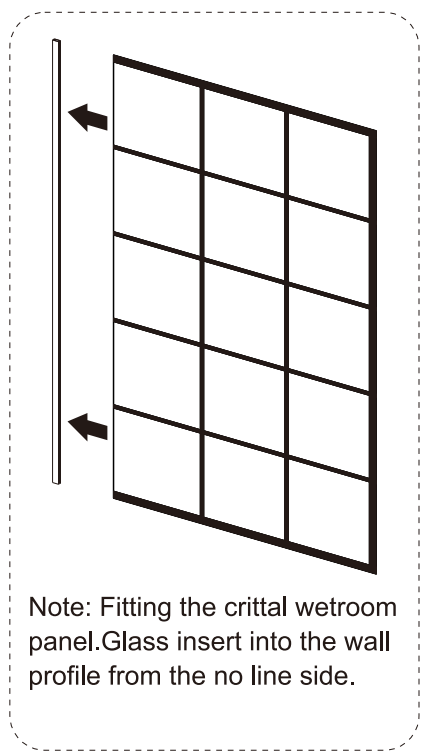
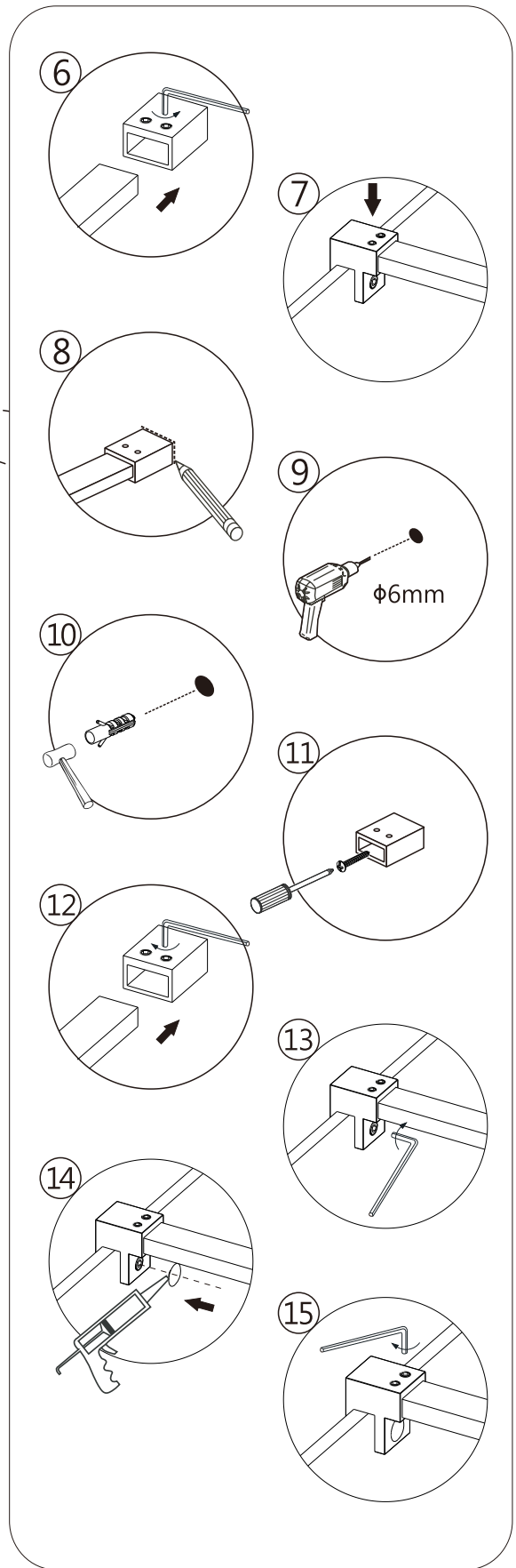
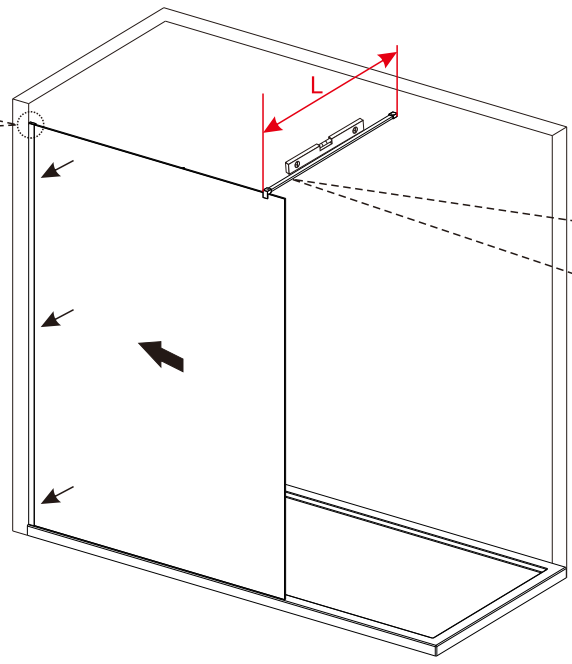
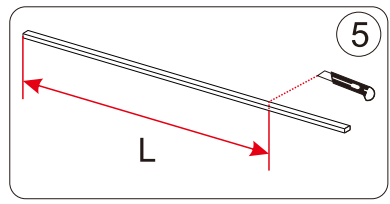
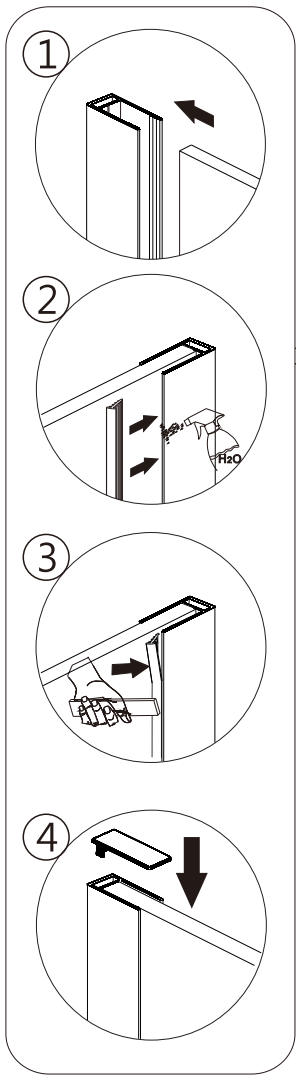
Tiles should then be tiled down to the tray. The enclosure can then be installed.

Step 1 DRILLING WALL PROFILE TO THE WALL

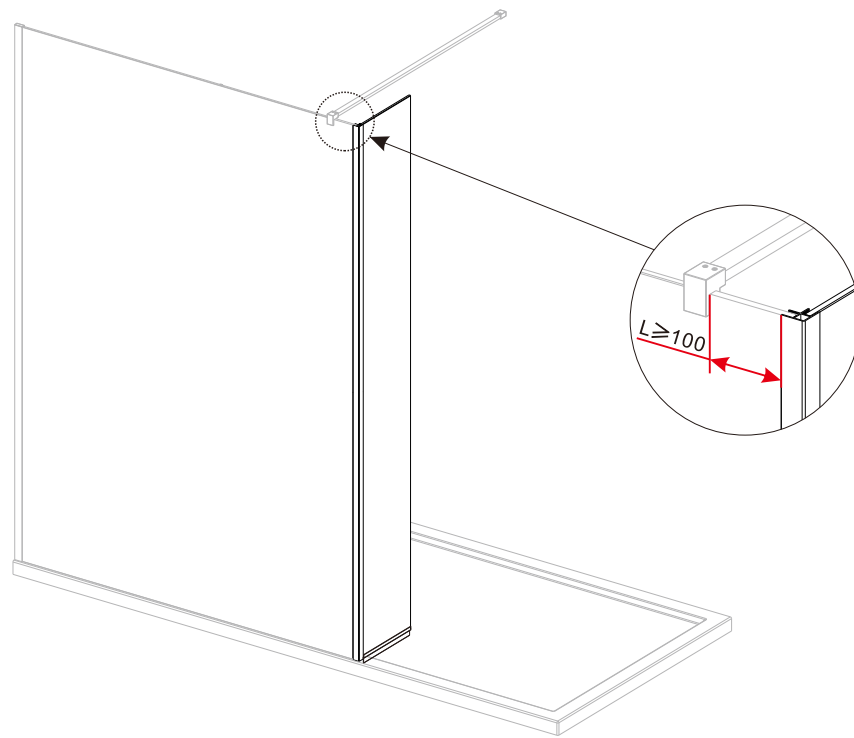
A



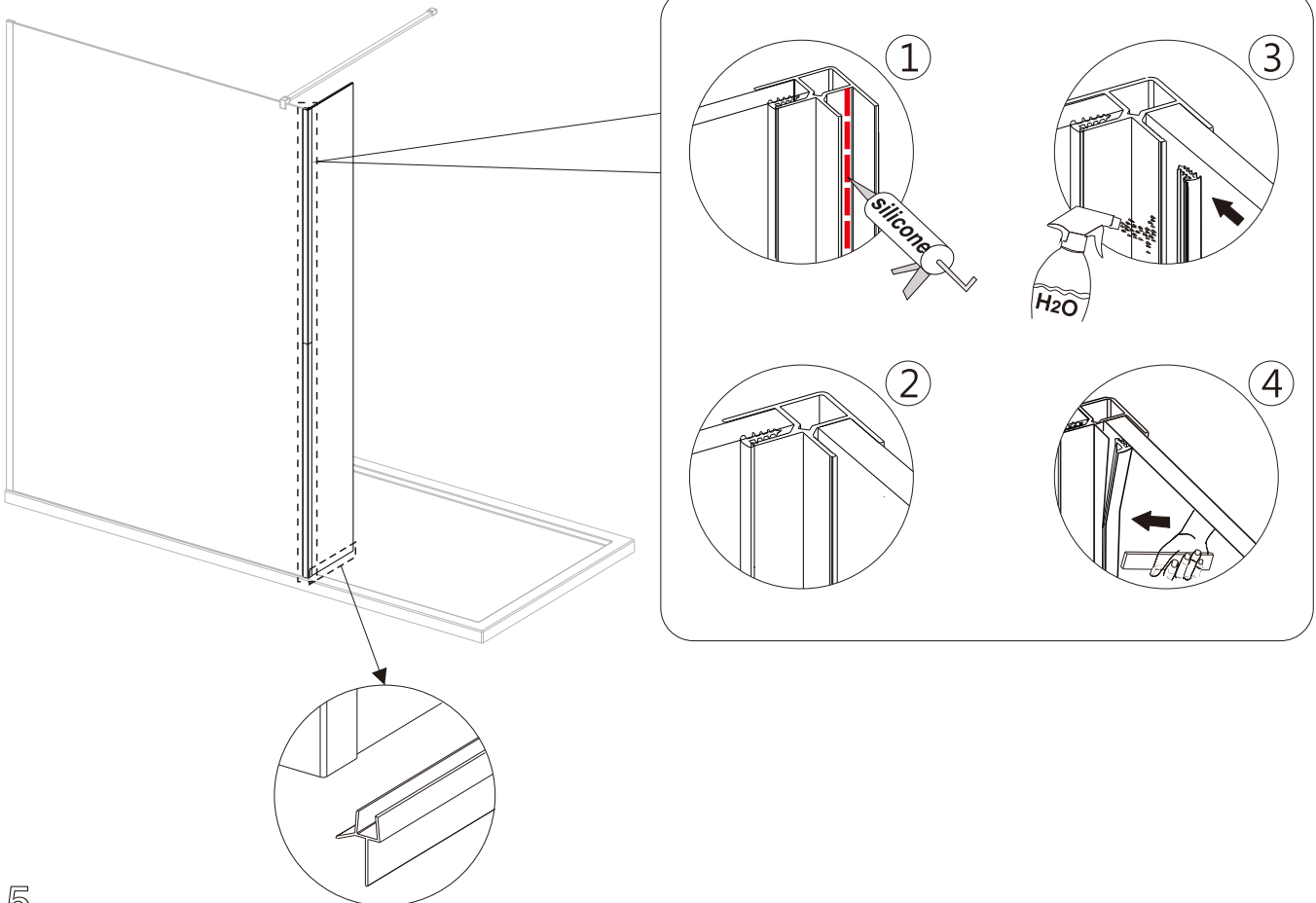
Step 2



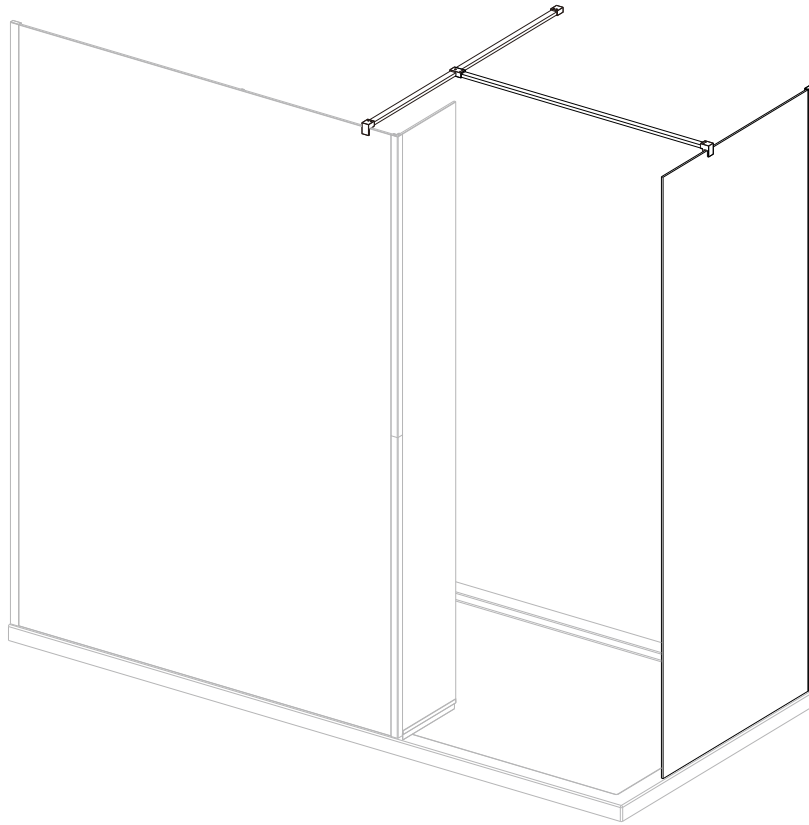
B



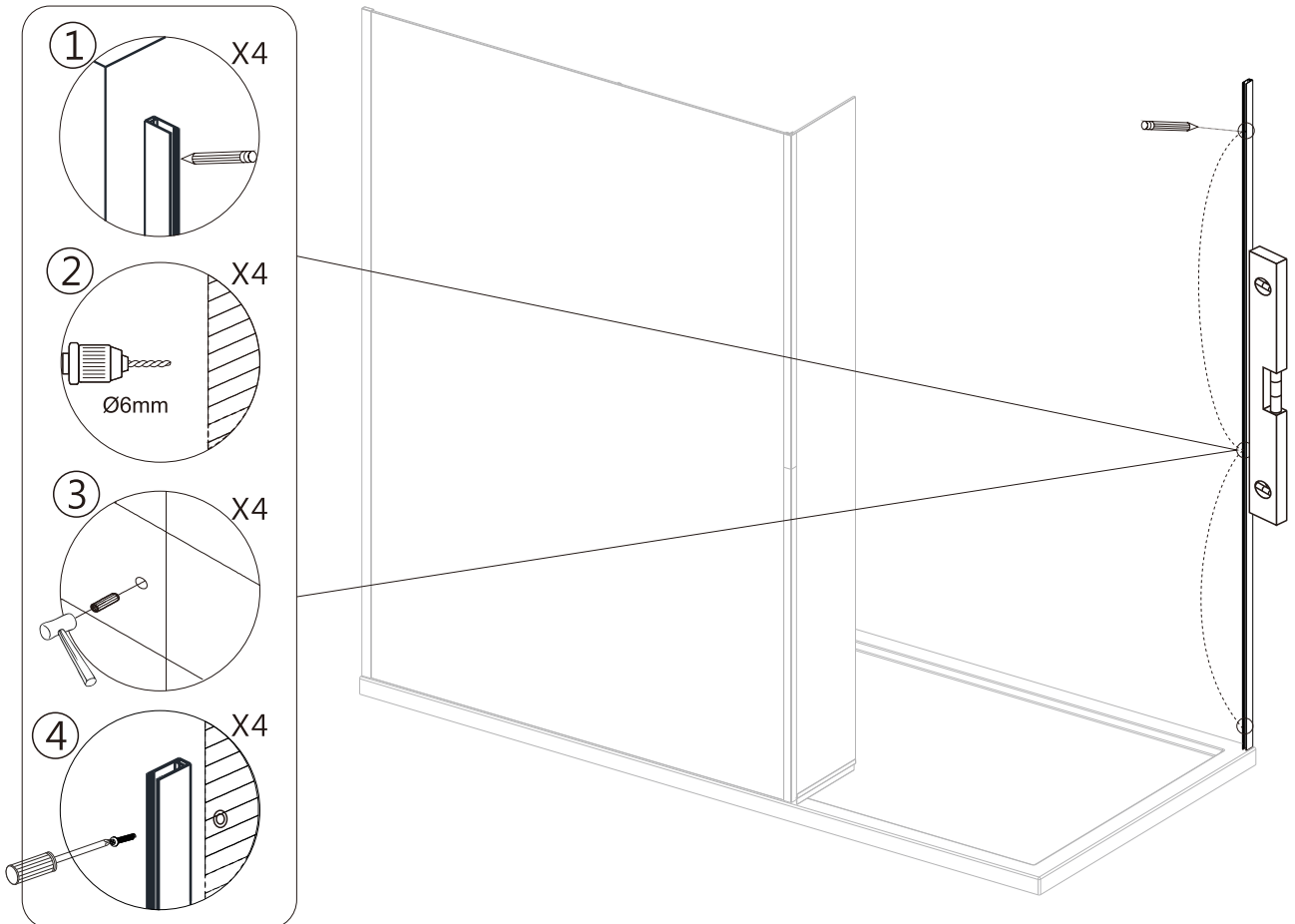
Step 3



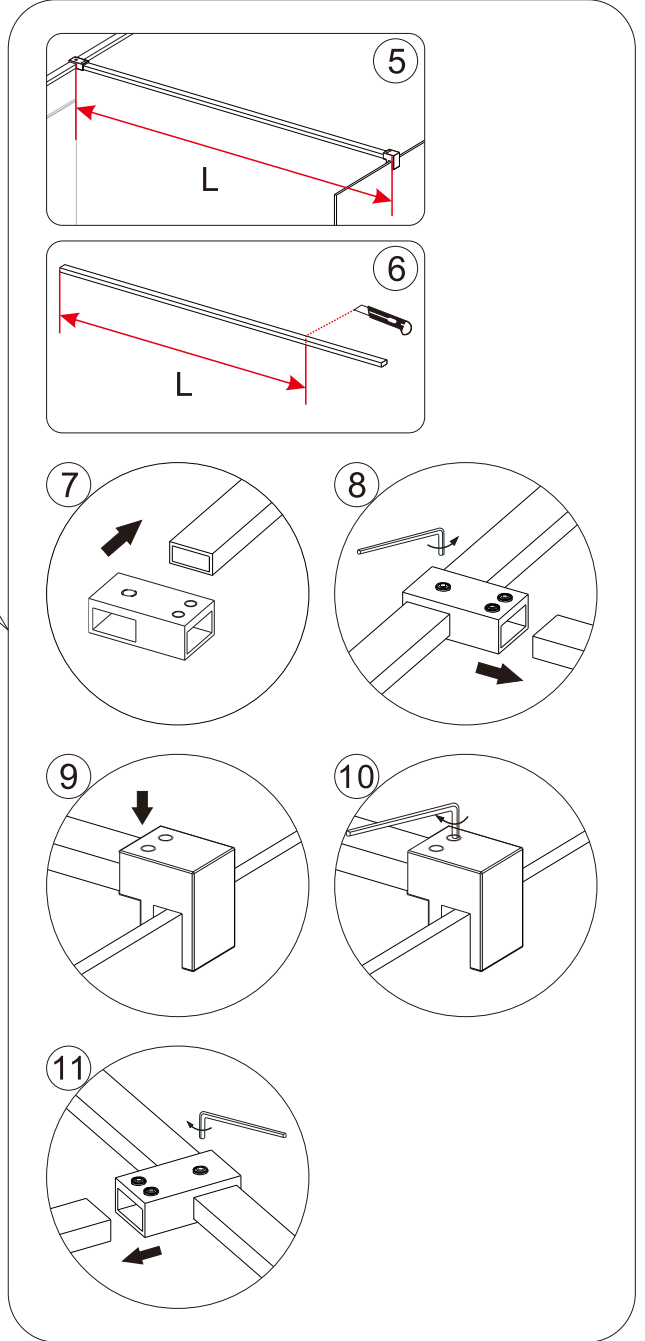
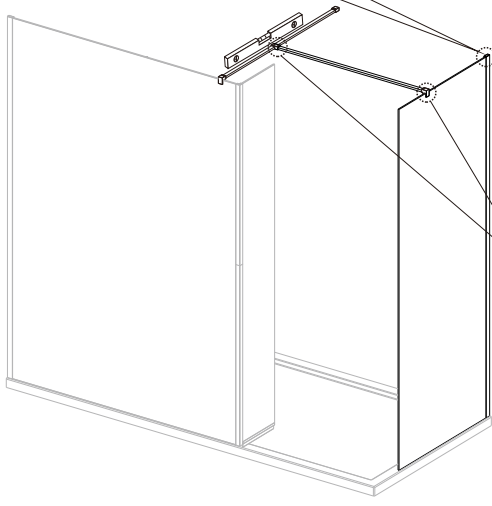
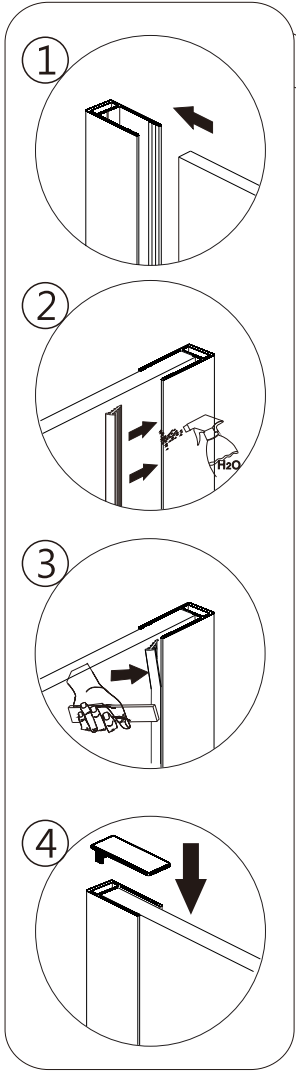
C



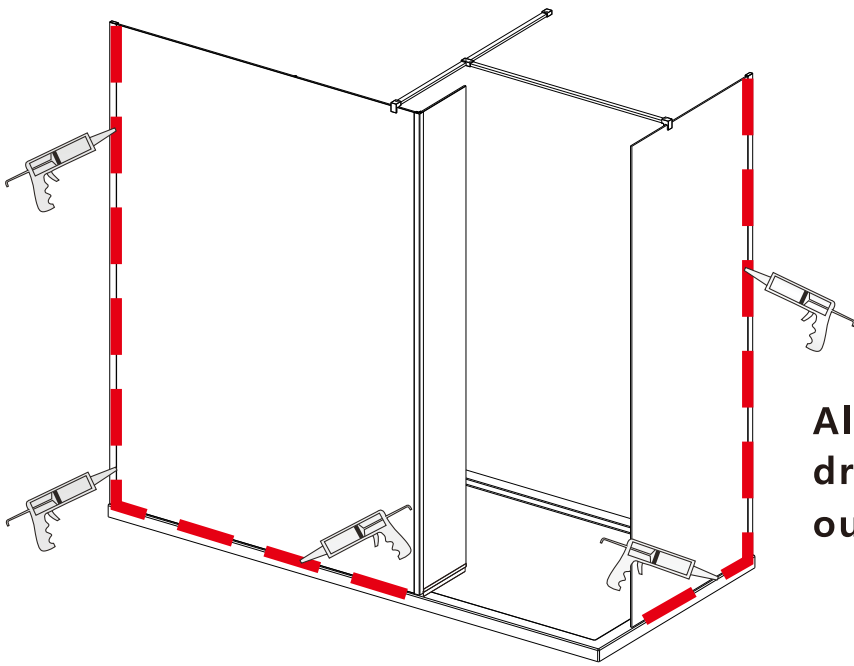
Step 4



Step 5



Step 6



Allow 24 hours for silicone to dry before use. Silicone on the outside edge only, NOT THE INSIDE

Aftercare instructions

Regularly clean your shower product with warm soapy water to prevent lime scale build up. DO NOT use abrasive cleaning fluids or materials, or strong chemical cleaners as this will damage the product surface.