

4 IN 1 INSTANT HOT WATER TAP

Installation and User Guide




Please read these instructions fully before commencing the installation and operation of the Electronic Instant Hot Water Appliance.

Table of Contents

Safety Information.....	2	Product Installation	7-11
Warranty	2	Completed Configuration ...	12-13
Pre Installation.....	2	Operating Tank	14
Package Contents	3-5	How To Use Your Tap	15
Complete System Installation		Troubleshooting	16-17
Diagram	6	Service/Replacing Parts	18-19

Safety Information

Please read and understand this entire manual before attempting to assemble, operate, or install the product.

	CAUTION: Always turn off the water supply before removing an existing tap or replacing any part of a tap. Open the tap handle to relieve water pressure and ensure that the water is completely shut off.
---	--

Warranty

Instant Hot Water Tank	2yrs
Tap	5yrs
Tap Finish	5yrs

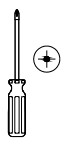
Pre Installtion

Before beginning the installation of this product, ensure all parts are present. Compare parts with the Package Contents section. If any part is missing or damaged, do not attempt to install the product.

Tools and hardware required



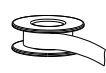
Safety Goggles



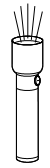
Phillips Screwdriver



Adjustable Wrench

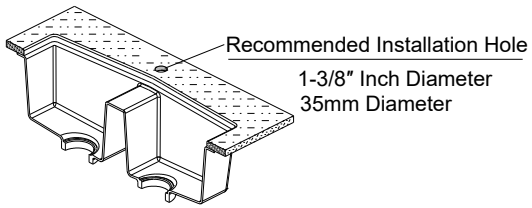


Plumbers Tape

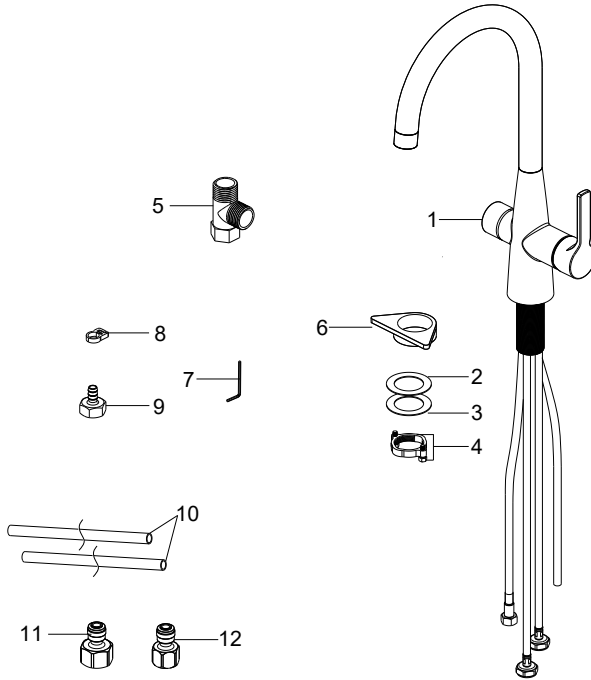


Flashlight

*Verify that the hole size in the counter top is correct

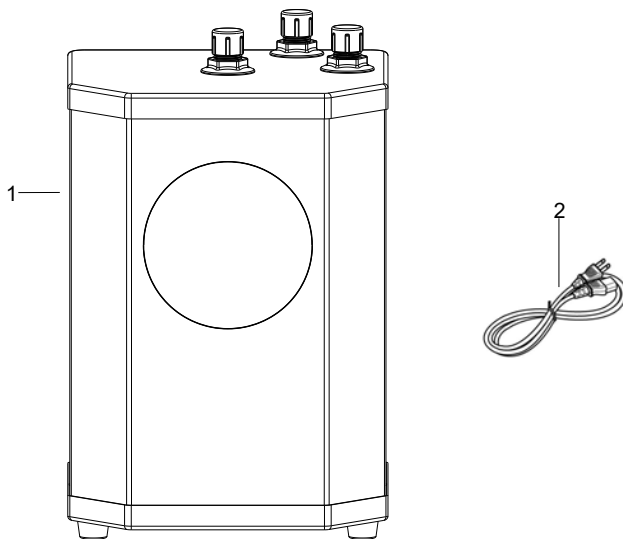


Tap Package Contents



Part	Description	Qty.
1	Tap body	1
2	Rubber Washer	1
3	Metal Washer	1
4	Mounting Nut /2-Set screws	1
5	BSP1/2" T-piece	1
6	Mounting Bracket	1
7	Hex Wrench	1
8	Pinch Clamps	1
9	Barb Fittings	1
10	1/4" pex pipe (500mm, Blue)	2
11	BSP 1/2"-1/4" push fit	1
12	BSP 3/8"-1/4" push fit	1

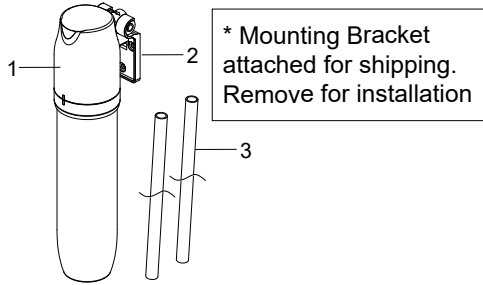
Instant Hot Water Dispenser Package Contents



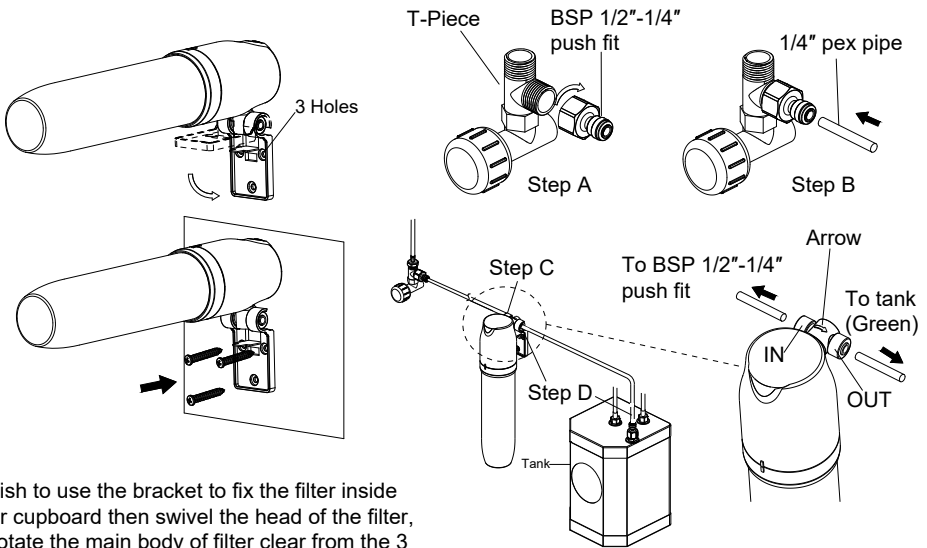
Part	Description	Qty.
1	Instant Hot Water Dispenser	1
2	Power Cord	1

Filter Assembly

Filter specified and look may be different to the below.



Part	Description	Qty.
1	Filtration System	1
2	Mounting Bracket (*attached)	1
3	1/4" pex pipe (500mm, Blue)	2



- If wish to use the bracket to fix the filter inside your cupboard then swivel the head of the filter, to rotate the main body of filter clear from the 3 holes of the bracket.
- Use a pencil to mark through the 3 holes to position the bracket. Use a philips screw driver to fasten the bracket with the 3 woodscrews provided into position.

A Connect 1/2" BSP X 1/4" fitting to T-piece.

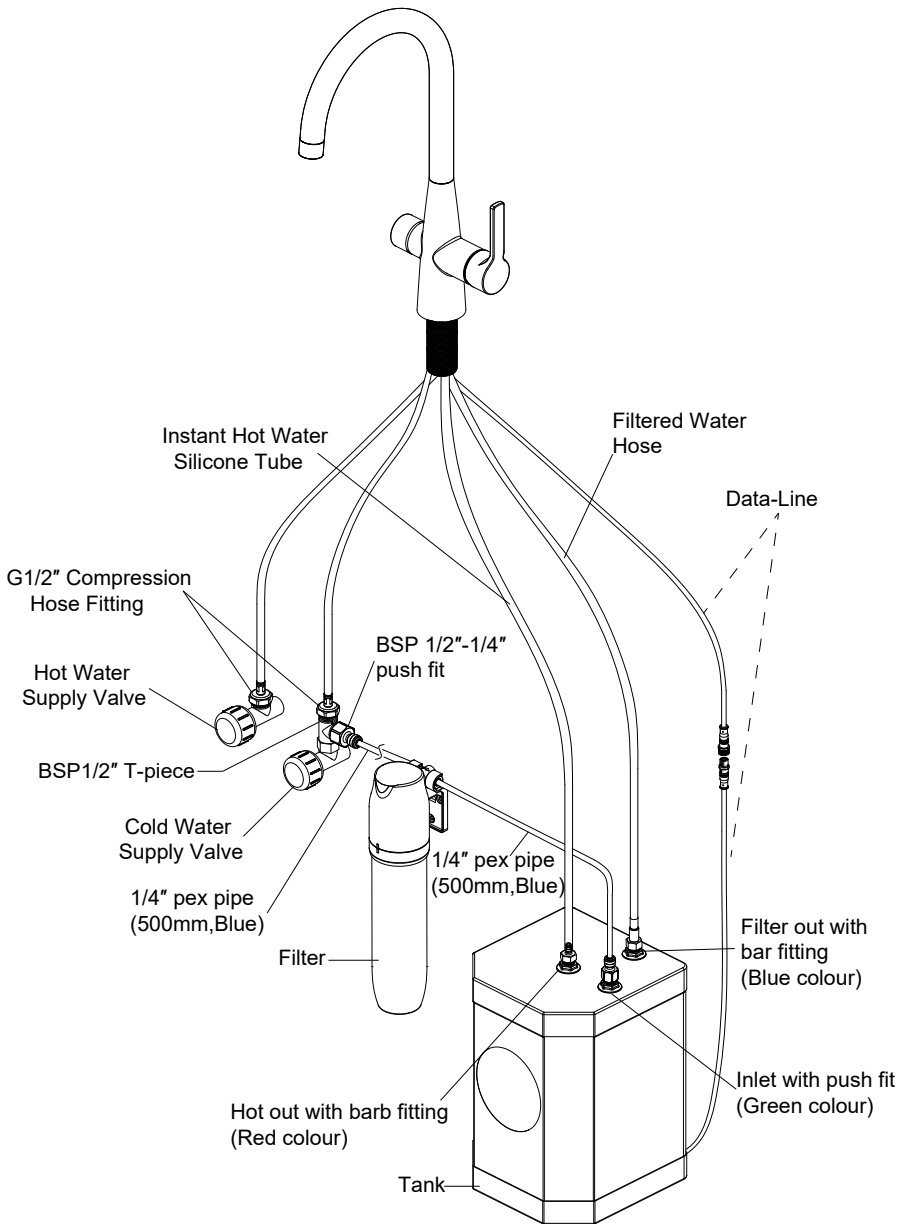
B Use Pex pipe to push securely into the 1/4" PF fitting and insert securely into the filter inlet.

C Use Pex pipe to push securely into the 1/4" PF fitting and insert securely into the filter inlet.

*** Note direction of arrow on top of filter.**

D Connect the other Pex pipe into the filter outlet and connect into the filter inlet on tank (green colour).

Complete System Installation Diagram



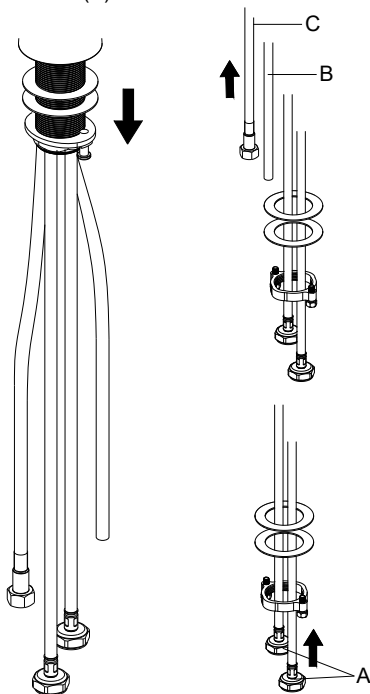
Product Installation

1 Preparing for Installation

- Shut off the water supply.

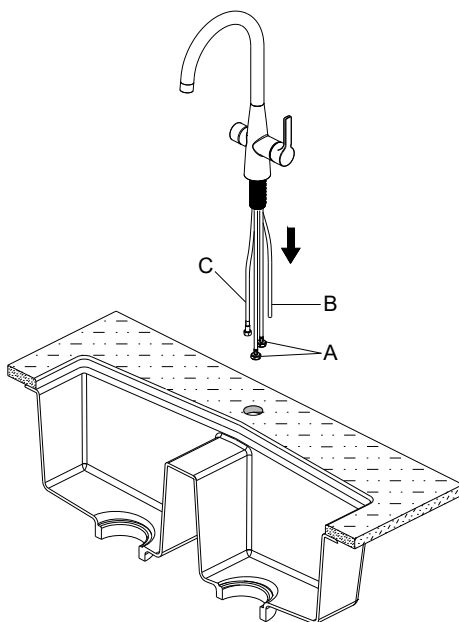


- Unscrew the mounting nut w/set screws.
- Remove both washers.
- For ease of installation, when the mounting nut and washers kit moves to the G1/2" nut at the end of the hose, pull out the silicone hose(B) and the grey braided hose(C) first, and then pull out the red and blue braided inlet hoses(A)



2 Installing the Tap

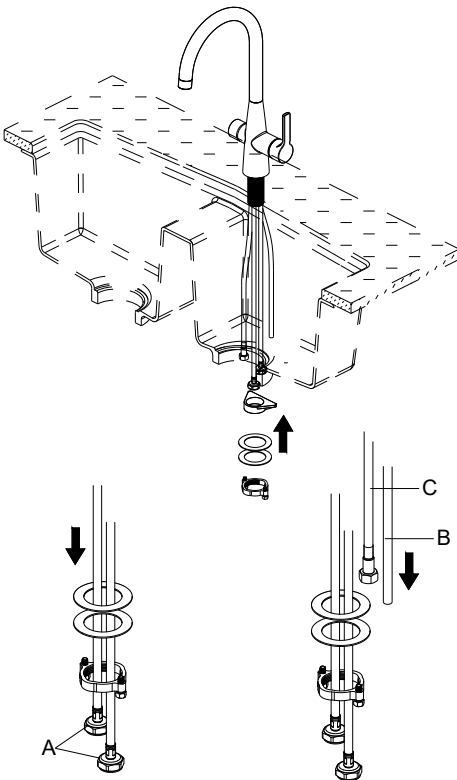
- Place the tap over the 1-3/8" diameter hole in counter top.
- Push the red and blue braided inlet hoses(A) into the hole first.
- Push the silicone hose(B) and the grey braided hose(C) into the hole.
- Push hoses and tap into the hole.



Product Installation

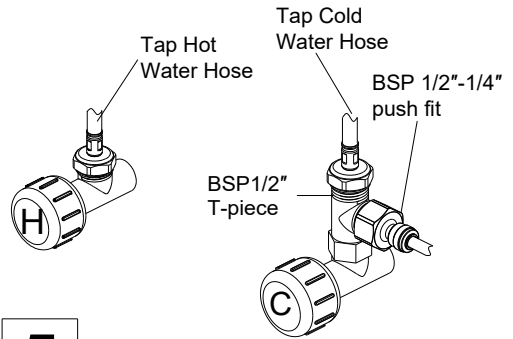
3 Installing the Tap

- Install the mounting bracket, rubber washer, metal washer and nut with setscrews onto the threaded mounting shank.
NOTE: The the red and blue braided inlet hoses(A) go through the nuts kit first. and then, through the the silicone hose(B) and the grey braided hose(C).
 - Thread the nut with setscrews onto the mounting shank up to the underside of the counter top.
 - Lock the nut into position by tightening the set screws to underside of the counter top.
- * **Do Not Over Tighten**



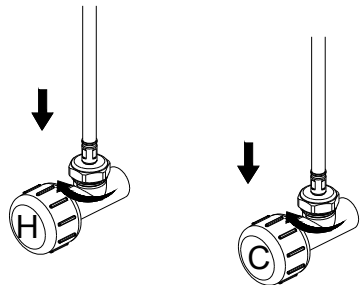
4 Shut-Off Valve Installation

- Connect the BSP1/2" T-piece to the cold water supply valve.
- Connect BSP 1/2"-1/4" push fit to the cold water supply valve.
- Connect the tap cold water supply hose to the BSP1/2" T-piece.
- Connect the tap hot water supply hose to the hot water supply valve.



5 Water supply connections

- Connect tap supply hoses to cold & hot water supply lines. Tighten hand tight plus quarter turn with a wrench.
- * **Do Not Over Tighten**



Filter Installation

5 Cabinet Side Mounting

- Follow installation instructions provided with the specific brand of filtration system of your choosing.

TOOLS REQUIRED

PENCIL, SCREWDRIVER

- Remove mounting bracket from Filtration System Head.
- Measure and mark screw hole(s) for your desired filter location.
- Position Filtration System with label and black location arrow facing you.
- Select "Snap Fit" (two outside screws) or "Rotary" (one center screw) bracket mounting.
- Make sure 'location-lug' on mounting bracket is on top.
- Push the filter head into bracket until you feel it click into place.
- The "Rotary" bracket mounting should be used if varying positions of Filtration System is required in cabinet.
- It will only fit one way, with label and arrow facing you.

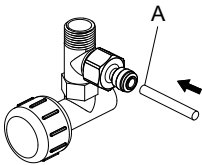
Filtration System to Dispenser Installation

6

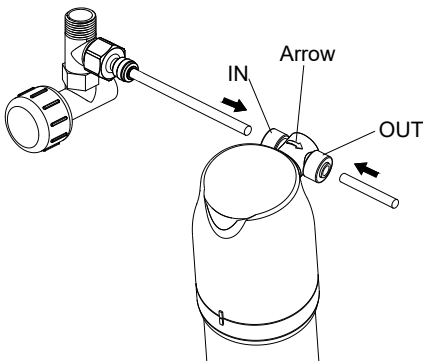
Filtration System to Dispenser Connections

- Follow installation instructions provided for the specific brand of filtration system provided or approved alternative filtration system.

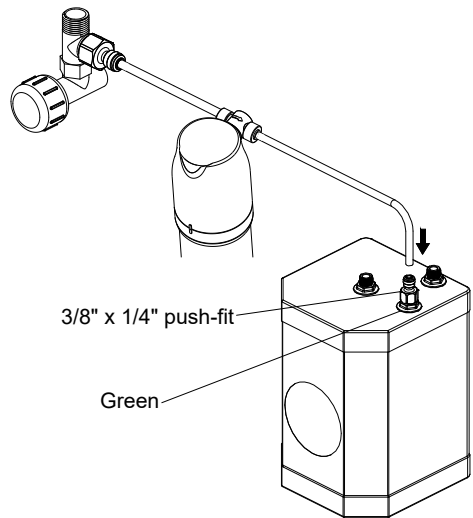
- Cut the 1/4" O.D. inlet/ outlet tubing (supplied) to the correct lengths, ensuring the cut ends are square and clean.
- Push one end of tubing (A) into angle shut-off valve connected to cold water supply.




- Push other end of tubing into inlet push-fit on top of filter.
- Push one end of tubing into outlet push-fit on top of filter.




- Connect other end of tubing from filter outlet to the green inlet on top of dispenser using the 3/8" x 1/4" push-fit included with the tap.



- To remove a tube, push down on the collet while pulling on the tube.
- Flush at least 2L of water through the filtration system once installation of the entire configuration is complete or more until the water flow is both clean and smooth.
- Write the installation and filter change dates on the label for future reference.

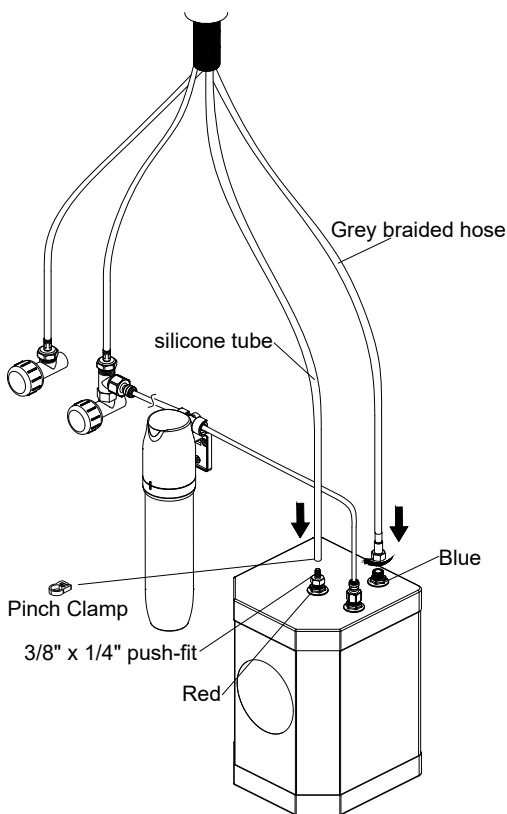
 Make sure pipe is securely pushed fully into the mating fitting

 Make sure seal not missing from connectors fitted to top of the tank

Data Line Installation

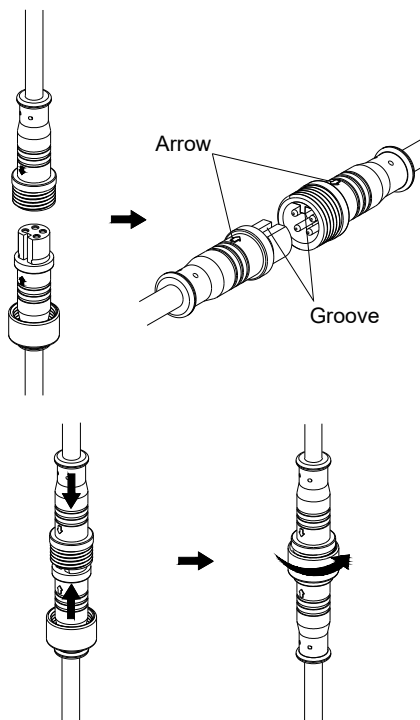
7 Tank Adapters Installation

- Connect the 3/8" x 1/4" barb fittings to the red outlet on top of dispenser.
- Place a pinch clamp on the open ends of the silicone tube.
- Connect the grey braided hose from tap to the blue outlet on top of dispenser. Tighten hand tight plus quarter turn with a wrench. Do not over tighten.



8 Data line connection

- Install the data line between tap and dispenser. To do this you must line up the arrow and the groove on the same side.
- Now push the cables together, then secure with the locking nut.

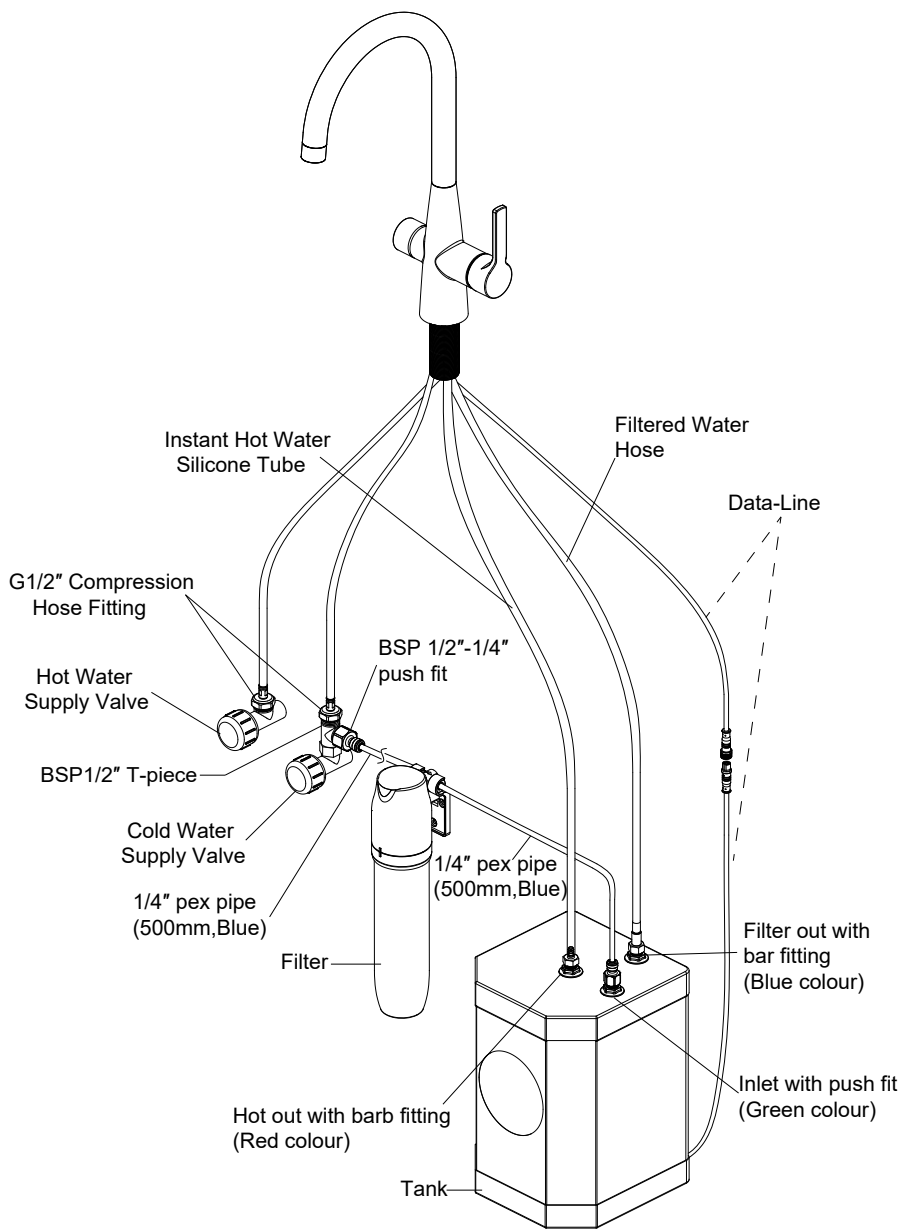


CAUTION: Follow arrow direction.



Make sure that the seal is not missing from underside of the connectors fitted to top of the tank

Completed Configuration



Product Installation

9

Check for leak

- After installation is complete, turn cold/ hot water supplies back on. Check for leaks.

10

Filling Dispenser

- Plug in the instant hot water dispenser, an E3 Code will appear on the display.
- Touch and Hold touch sensor.
- Red LED will incrementally light up.
- After a 3-second delay (safety feature) you will here the dispenser filling with water.
- Maintain touch to continue filling dispenser and only cease touch when water is flowing smoothly from the tap spout.
- E3 Code should disappear and actual temperature in the tank will be displayed.
- North/South arrows are 7 pre-set temperatures (75°C, 85°C, 90°C, 95°C, 96°C, 97°C, 98°C)
- 100°C is the boiling point of water. Be advised that for every 300 metres of elevation you must decrease the boiling point by -1°C. (ex. 1500 metres of elevation = 95°C boiling point)
- Set the dispenser temperature to the 'exact' temperature perfect for your individual or family needs.

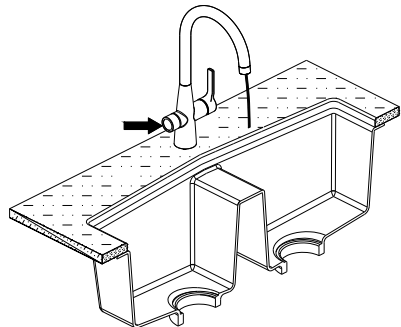
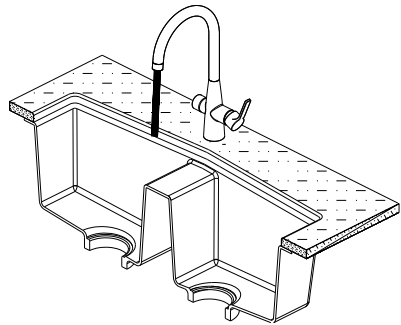


NOTE: Do not use cold water when using filtration water

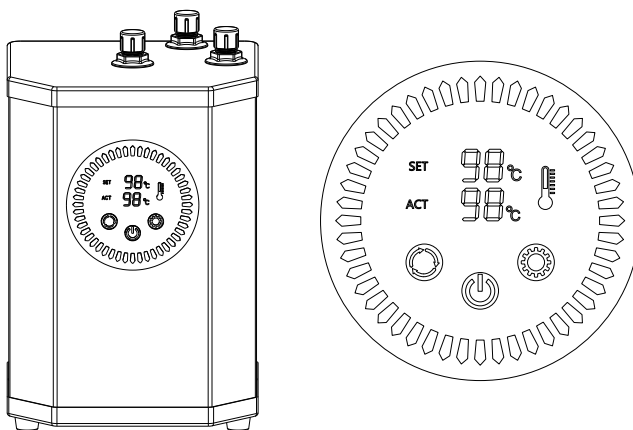
11

Flushing the Lines

- Flush both standard cold/hot waterlines for one minute by moving handle out from spout forward for cold water, pull forward for hot water.
- Tap touch sensor once to activate Filtered Water. Flush line until tap automatically shuts-off after 2-liters dispensed. Check for leaks during process.
- Touch and hold touch sensor to activate Instant Hot Water. Maintain touch to flush line for at least 1-minute. Check for leaks during the process.



Operating Tank



Electronic Control Display Panel




ON/OFF to control the power it will also control the display ON/OFF.





Confirmation and heating control switch.



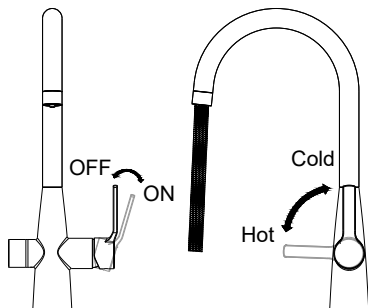
Temperature setting, 7 temperature settings: 98°C max. 97°C; 96°C; 95°C; 90°C; 85°C; 75°C.

To turn on the electronic instant hot water appliance touch the  button and hold for 3 seconds until the display lights up.

Touch the  button and press each time so that the temperature settings will change from 75°C; 85°C; 90°C; 95°C; 96°C; 97°C; 98°C continue to press till the required temperature is seen. To confirm the temperature and start the electronic instant hot water

appliance press the  electronic instant hot water appliance press the button and the electronic instant hot water appliance will start to heat up the water and an audible beep will be heard.

How To Use Your Tap

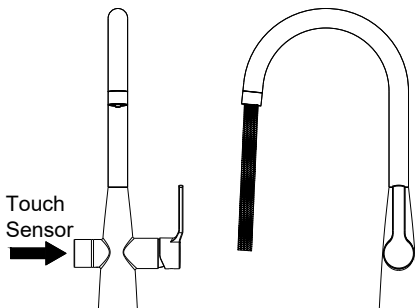


REGULAR HOT & COLD

- Pull mixer lever away from the tap for **Cold Water**.
- Pull handle forward for **Hot Water**.

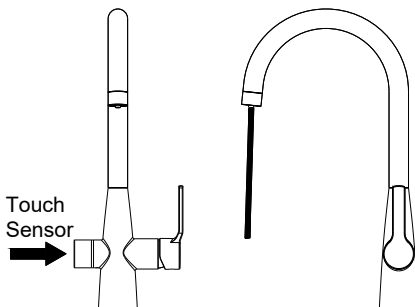


CAUTION: Minimal pressure is required to operate do not push too hard as excessive force may damage the sensor.



FILTERED WATER

- One tap on touch sensor illuminates Blue LED and delivers Filtered Water.
- Tap again to turn off Filtered Water.
- Filtered Water dispensing will automatically shut off after 0.5 GPM/ 2-LITRES.



BOILING WATER

- Touch and Hold sensor button for Instant Hot Water.
- Red LED will incrementally light up
- After a 3-second delay (safety feature) Instant Hot Water will dispense.
- Maintain touch to continue dispensing Instant Hot Water.
- Discontinue touch for instant shut-off (safety feature).

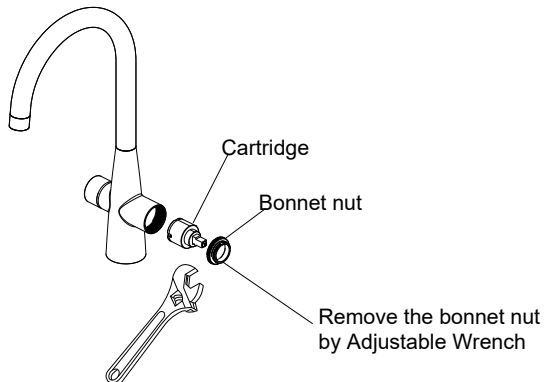
Troubleshooting

PROBLEM	POSSIBLE CAUSE	WHAT TO DO
There are leaks from the handle.	The bonnet nut has come loose and/or the cartridge is damaged.	<ul style="list-style-type: none"> ● Tighten the bonnet nut. ● Replace the cartridge.
The water will not shut off completely.	The cartridge is dirty or broken.	<ul style="list-style-type: none"> ● Replace the cartridge.
Water and Steam is spitting from the instant hot water tap spout.	Unit is boiling.	<ul style="list-style-type: none"> ● Turn the instant hot water tap handle on and release the water. Adjust the water temperature on the display to a lower setting. Check aerator is not blocked. Bleed system to remove any air Re-Prime bladder to allow correct operation.
Water is not hot.	<p>The electronic instant hot water appliance is unplugged.</p> <p>The electronic display has not been powered up.</p>	<ul style="list-style-type: none"> ● Make sure the electronic instant hot water appliance is plugged in and connected to a grounded electric outlet. Make sure that the circuit breaker and fuse are working correctly. Turn on the power and touch the on / off button and then set the required temperature and confirm the heat up.
Water is too hot.	Turn down temperature.	<ul style="list-style-type: none"> ● Re-set the temperature to the required temperature and confirm.
Water is dripping from the instant hot water tap spout.	<p>Water temperature setting on display panel is set to high.</p> <p>The expansion chamber isn't draining the system correctly due to very small draw off of water.</p> <p>The spout is blocked.</p>	<ul style="list-style-type: none"> ● Draw off 1 litre of water to clear and prime the system. Avoid less than 0.2L draw off of water. Remove and clean the aerator. Check pipes are not kinked or damaged. Please note that there may be occasional drips from the tap which is normal to happen from residual water left in pipework.

Troubleshooting

PROBLEM	POSSIBLE CAUSE	WHAT TO DO
Slow Flow from the spout.	Water Filter may be clogged from impurities in the inlet mains water.	<ul style="list-style-type: none"> • The water filter must be changed every 6 months or this may void the warranty.
Water does not flow straight away	The electronic instant hot water appliance is design for non-pressurised operation and there will be slight delay till the near boiling water appears	<ul style="list-style-type: none"> • After a large volume of water has been drawn off there may a slightly longer delay in the water appearing from the instant hot water tap spout.
No Water Flowing	Water Valves have been turned off	<ul style="list-style-type: none"> • Turn on all the water valves.
	Inlet Pipes have been twisted or blocked	<ul style="list-style-type: none"> • Turn on all the water valves. Remove and clean the aerator. Remove the electronic instant hot water appliance as per the descaling instructions and flush through all pipes to ensure water flow.

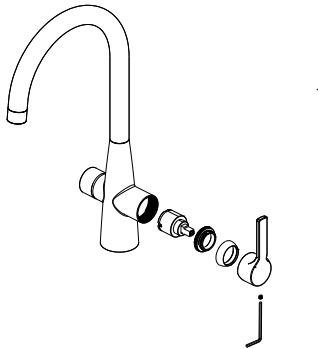
IF YOU ARE IN ANY DOUBT THEN POWER OFF THE ELECTRONIC INSTANT HOT WATER APPLIANCE AND CALL THE SERVICE AGENT



How To Replace Parts

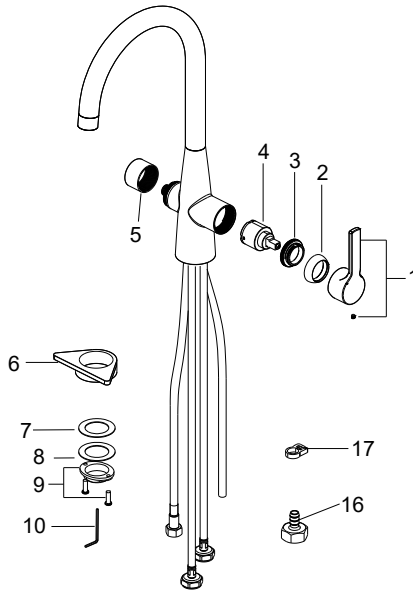
Cartridge:

- 1) Remove handle by removing set screw using 2.5mm HEX wrench.
- 2) Unscrew the cap.
- 3) Unscrew the bonnet nut using an adjustable wrench.
- 4) Remove old cartridge and replace with new. Make sure the cartridge is installed correctly.
- 5) Lock the bonnet nut by hand, then use the adjustable wrench to tighten.
- 6) Install the cap and handle.
- 7) Tighten set screw.



Service/Replacing Parts

* Specify finish: CP=Polished Chrome /
BN=Brushed Nickel / MB=Matte Black



Part	Description	Part NO.
1	Handle & Set Screw	4N1-03*
2	Cap	4N1-04*
3	Bonnet Nut	4N1-05
4	Cartridge	4N1-06
5	Touch Sensor Handle	4N1-13*
6	Mounting Bracket	4N1-19
7	Rubber Washer	4N1-09
8	Metal Washer	4N1-10
9	Mounting Nut With 2 Screws	4N1-11
10	Hex Wrench	4N1-12
11	Barb Fittings	4N1-16
12	Pinch Clamps	4N1-18

Warranty Information

Proof of purchase will be required.

The guarantee does not cover faults or damage caused by incorrect installation and/or maintenance, ordinary wear and tear, water composition, etc.

Cleaning

Your product has a high-quality finish and should be treated with care to preserve the visible surfaces. Never use abrasives or abrasive cleaning agents to clean this product. Clean regularly with contamination free warm water and a damp soft cloth. Do not use products containing chlorine, bleach or hydrochloric acid as these can damage the product.