



Shown: 59cm (2x16) basin with towel rail bracket and basin taps, ASWH22A - TRB - TPASHBASIN



#### Overview:

The 2216 is a large rectangular basin with two tap holes. It is suitable for washrooms and other commercial applications. This basin can be wall mounted using a towel rail brackets for a practical & cost effective solution. Named because of its imperial dimensions. Ideal for commercial applications.

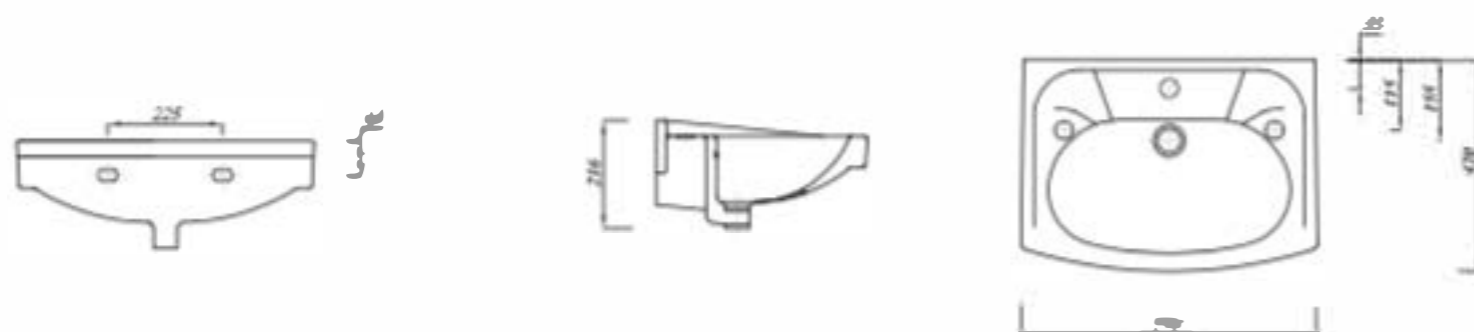
#### Key product features:

- Internal overflow
- CE Compliant
- Integrated towel rail

Product:	59cm Basin
Two tap hole code:	ASWH22BA
Weight in kg:	13.9
Colour:	White
Material:	Vitreous china
Standard:	EN14688-CL15
DOP:	WBVC2
BiM download:	✓
CAD download:	✓
Full pedestals:	n/a
Semi pedestal:	n/a
Wall mounted:	Bracket - TRB / Fixing bolts - FBWB
Extras:	Bottle trap - BOTRAPCH / Plug & chain - DWASTE

#### Special notes

This basin requires a choice of fixing brackets (sold separately)



## **Check out our full range of Bathroom Suites**

Bathroom Suites By Range

Cloakroom Suites

Toilets

Bathroom Sinks / Wash Basins

Bidets

Baths

## **Wide variety of toilets**

Close Coupled Toilets

Wall Hung Toilets

Back To Wall Toilets

Furniture unit toilets

## **Huge Selection of Baths**

Acrylic Baths

Steel Baths

Shower baths

Freestanding baths

Small baths

Corner baths

Whirlpool baths

## **Don't forget the important bathroom suite extras**

Bath panels

Toilet seats

**plumbworld**  
**Big brands, small prices.**