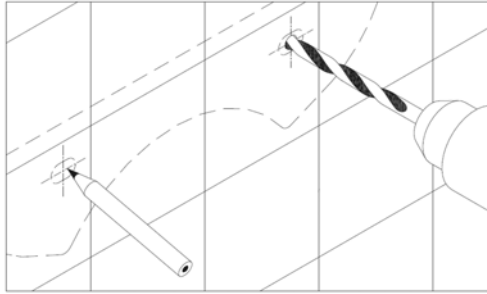
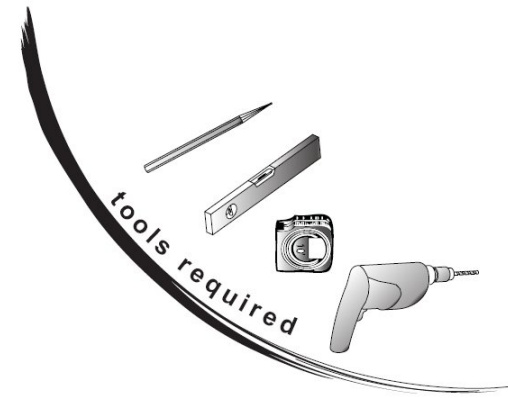
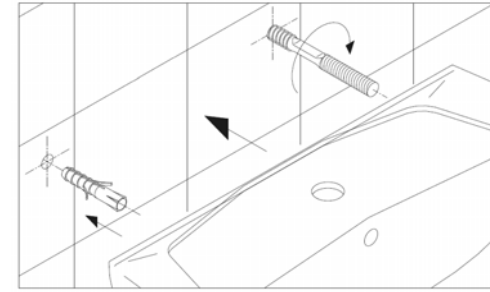


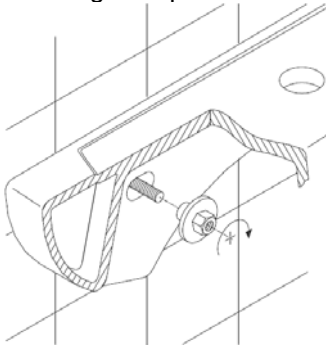
Washbasin Fixing to Wall



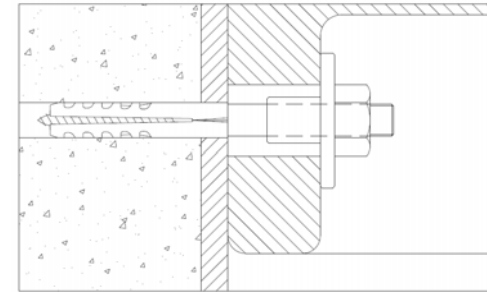
1. Use pencil to mark desired fixing location, using the holes in the washbasin as a guide. Check wall plug dimension and use corresponding bit size to drill as required, ensure the basin is true using the spirit level before drilling.



2. Insert plugs in to both holes. Fix bolts into plugs.



3. Offer basin up to bolts, fit nylon spacer and tighten nut.
Please Note: On some fixings the nut maybe incorporated into the spacer.



4. Secure basin to the wall.

Check out our full range of Bathroom Suites

Bathroom Suites By Range

Cloakroom Suites

Toilets

Bathroom Sinks / Wash Basins

Bidets

Baths

Wide variety of toilets

Close Coupled Toilets

Wall Hung Toilets

Back To Wall Toilets

Furniture unit toilets

Huge Selection of Baths

Acrylic Baths

Steel Baths

Shower baths

Freestanding baths

Small baths

Corner baths

Whirlpool baths

Don't forget the important bathroom suite extras

Bath panels

Toilet seats

plumbworld
Big brands, small prices.