



INSTALLATION AND OWNER GUIDE

Model 474 Valentia Balanced Flue

ROOM SEALED RADIANT / CONVECTOR
GAS FIRE



We trust that this guide gives sufficient details to enable this appliance to be installed, operated and maintained satisfactorily. However, if further information is required, our **Valor Technical Helpline** will be pleased to help. Telephone **0844 879 35 88** (National call rates apply in the United Kingdom).

In the Republic of Ireland Telephone **01 842 8222**.



INSTALLER: Please leave this guide with the owner

THIS APPLIANCE IS FOR USE WITH NATURAL GAS (G20).

**UNDER NO CIRCUMSTANCES IS THIS APPLIANCE TO BE CONVERTED TO
LPG. AN LPG CONVERSION KIT DOES NOT EXIST FOR THIS APPLIANCE**

**THIS APPLIANCE IS SUITABLE ONLY FOR INSTALLATION IN THE UNITED
KINGDOM (GB) AND THE REPUBLIC OF IRELAND (IE).**

© GDC Group Ltd.

All rights reserved. No part of this publication may be reproduced in any material form (including photocopying), stored in any medium by electronic means (including in any retrieval system or database) or transmitted, in any form or by any means, whether electronic, mechanical, recording or otherwise, without the prior written permission of the copyright owner.

Applications for the copyright owner's permission to reproduce any part of this publication should be made, giving details of the proposed use, to the following address: The Marketing Communications Manager, GDC Group Ltd, Millbrook House, Grange Drive, Hedge End, Southampton, SO30 2DF.

Warning: Any person who does any unauthorised act in relation to a copyright work may be liable to criminal prosecution and civil claims for damages.



Because our policy is one of constant development and improvement, details may vary slightly from those given in this publication

Safety First.

Valor fires are CE Approved and designed to meet the appropriate British Standards and Safety Marks.



Quality and Excellence.

All Valor fires are manufactured to the highest standards of quality and excellence and are manufactured under a BS EN ISO 9001 quality system accepted by the British Standards Institute.



The Highest Standards

Valor Fires is a member of SBGI and HHIC (Heating and Hot water Industry Council) that work to ensure high standards of safety, quality and performance.



Careful Installation

This gas fire must be installed by a competent GAS SAFE REGISTER engineer (GAS SAFE REGISTER or CORGI engineer outside of UK) in accordance with our installer guide and should not be fitted directly on to a carpet or floor of combustible material.



INSTALLER GUIDE

FOR OWNER GUIDE SEE PAGES 24 TO 35

INSTALLER GUIDE

CONTENTS

<u>Section</u>	<u>Heading</u>	<u>Page</u>
	INSTALLER GUIDE	4 - 22
	OWNER GUIDE	24 - 35
1.	SAFETY	7
2.	ACCESSORY LIST	8
3.	APPLIANCE DATA AND EFFICIENCY	8
	3.1 General information.	8
	3.2 Efficiency.	9
4.	GENERAL INSTALLATION REQUIREMENTS	9
	4.1 Regulations, Standards and Law.	9
	4.2 Siting General.	10
	(a) Hearth Mounting.	10
	(b) Wall Mounting.	10
	(c) Fitting in a Fire Surround.	10
	4.3 Fireplace clearances	11
5.	PACK CONTENTS	14
6.	PREPARATION OF WALL	15
	6.1 Combustible Walls	16
	6.2 Installations in Timber Frame Buildings	16
7.	PREPARATION OF FIRE	17
	7.1 Remove Outer Case	17
	7.2 Fit Flue	17
	7.3 Connect Gas Supply	18
	7.4 Test for Gas Soundness	18
	7.5 Install Fuel Effect	18
	7.6 Replace Glass Door	18
8.	COMMISIONING	19
	8.1 Check the Gas Pressure and F.S.D. Operation	19
	(a) Light the Fire	19
	(b) Check the burner pressure	19
	(c) Check ignition performance	19
	8.2 Refit Outer Case and Remaining Components	19
	8.3 Instruct User	19

Continued on next page

INSTALLER GUIDE

CONTENTS (Continued)

<u>Section</u>	<u>Heading</u>	<u>Page</u>
9.	SERVICING	20
9.1	Remove Outer Case	20
9.2	Gas Tap Assembly	20
9.3	Burner Assembly	20
9.4	Main Burner Injectors	21
9.5	Pilot Injector (SIT No. 34)	21
9.6	Pilot Filter	21
9.7	Thermocouple	21
9.8	Spark Electrode	21
9.9	Pilot Burner	21
10.	SHORT LIST OF PARTS	22

INSTALLER GUIDE

1. SAFETY

Installer

The fire can be wall or hearth mounted on a non-combustible wall or hearth, and can be fitted into a suitable fire surround. It can be installed from the inside of a building making it ideal for rooms where access from the outside is difficult, for example multi-storey buildings.

Before continuing any further with the installation of this appliance please read the following guide to manual handling:

- One person should be sufficient to lift the fire. If for any reason this weight is considered too heavy then obtain assistance.
- When lifting always keep your back straight. Bend your legs and not your back.
- Avoid twisting at the waist. It is better to reposition your feet.
- Avoid upper body/top heavy bending. Do not lean forward or sideways whilst handling the fire.
- Always grip with the palm of the hand. Do not use the tips of fingers for support.
- Always keep the fire as close to the body as possible. This will minimise the cantilever action.
- Use gloves to provide additional grip.
- Always use assistance if required.

This product uses fuel effect pieces and gaskets containing Refractory Ceramic Fibres (RCF), which are man-made vitreous silicate fibres. Excessive exposure to these materials may cause irritation to eyes, skin and respiratory tract. Consequently, it is important to take care when handling these articles to ensure that the release of dust is kept to a minimum. To ensure that the release of fibres from these RCF articles is kept to a minimum, during installation and servicing we recommend that you use a HEPA filtered vacuum to remove any dust and soot accumulated in and around the fire before and after working on the fire. When replacing these articles we recommend that the replaced items are not broken up, but are sealed within a heavy duty polythene bag, clearly labelled as RCF waste. RCF waste is classed as a stable, non-reactive hazardous waste and may be disposed at a landfill licenced to accept such waste. Protective clothing is not required when handling these articles, but we recommend the use of suitable gloves to prevent irritation. We also recommend you follow the normal hygiene rules of not smoking, eating or drinking in the work area and always wash your hands before eating or drinking. This appliance does not contain any component manufactured from asbestos or asbestos related products.

INSTALLER GUIDE

2. ACCESSORY LIST

Note that in England and Wales the Building Regulations require a terminal guard to be fitted if the terminal is less than 2m (6ft 6in) from the level of any ground, balcony, flat roof or place to which any person has access and which adjoins the wall in which the outlet is situated. A suitable guard assembly is available. Part No. 994371.

In Scotland, although the Building Standards (Scotland) do not require a terminal guard to be fitted, the fitting of a guard as detailed above is recommended.

- Combustible wall kit, Part no. 994530 is available as an optional extra.

Three telescopic flues are available:

- Short flue for walls from	75mm to 203mm	No. 993241
- Medium flue for walls from	200mm to 356mm	No. 993240
- Long flue for walls from	356mm to 510mm	No. 993239

NOTE: The fire is supplied with Medium flue only. Short & Long flues are optional extras.

3. APPLIANCE DATA AND EFFICIENCY

3.1 General information.

Gas	Natural (G20)
Inlet Pressure	20mbar (8in w.g.)
Input - Max. (Gross)	4.5kW
Input - Min. (Gross)	1.5kW
Pressure Setting (Cold)	17.5 +/- 1.0mbar
Height to Centre Line of Flue	351mm
Burner Injector Upper	Cat. 77/180
Burner Injector Lower	Cat. 77/160
Main Burner:	Aerated Duplex
Ignition:	Battery spark generator
Flame Control:	Part No. 987623
Spark Gap:	3 to 4mm
Pilot Unit:	SIT 0150060, SIT No.34

The appliance information label is at the left side of the rear case and is visible after removing the fascia. In addition, for customers reference, there is a label giving the appliance serial number on the outside of the fascia at the bottom right side.

INSTALLER GUIDE

3.2 Efficiency.

The efficiency of this appliance has been measured as specified in BS EN 613 and the result is as below:

<u>Model</u>	<u>Efficiency % (Gross)</u>
474	79.3

The gross calorific value of the fuel has been used for this efficiency calculation. The test data from which it has been calculated has been certified by Advantica Certification services (0087). The efficiency value may be used in the UK Government's Standard Assessment Procedure (SAP) for energy rating of dwellings.

The conversion of **net** efficiency to **gross** was achieved by multiplying the net efficiency by the following conversion factor from Table E3 of SAP 2005, rounding down to the nearest whole number.

Gas	Conversion factor from net to gross efficiency
Natural Gas	0.901

4. GENERAL INSTALLATION REQUIREMENTS

4.1 Regulations, Standards and Law.

The installation must be in accordance with this guide.

For the user's protection, in the United Kingdom it is the law that all gas appliances are installed by competent persons in accordance with the current edition of the Gas Safety (Installation and Use) Regulations. Failure to install the appliance correctly could lead to prosecution. GAS SAFE REGISTER and CORGI require their members to work to recognised standards.

In the United Kingdom the installation must also be in accordance with:

All the relevant parts of local regulations.

All relevant codes of practice.

The relevant parts of the current editions of the following British Standards:-

BS 5440 Part 1 - Installation of flues.

BS 5871 Part 1 - Installation – Gas fires

BS 6891 - Gas pipework installation

In the republic of Ireland the installation must also conform to:

a) The relevant parts of the current edition of IS 813 "Domestic Gas Installations"

b) All applicable national and local rules in force.

– In England and Wales, the current edition of the Building Regulations issued by the Department of the Environment and the Welsh Office.

– In Scotland, the current edition of the Building Standards (Scotland) Regulations issued by the Scottish Executive.

INSTALLER GUIDE

- In Northern Ireland, the current edition of the Building regulations (Northern Ireland) issued by the Department of the Environment for Northern Ireland.
- In the Republic of Ireland the installation must be carried out by a competent person and also conform to the relevant parts of:

- a) The current edition of IS 813 “Domestic Gas Installations”
- b) All relevant national and local rules in force.

Where no specific instructions are given, reference should be made to the relevant British Standard Code of Practice.

4.2 Siting General.

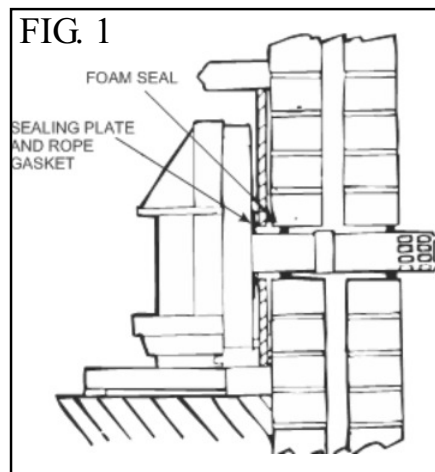
The fire must be mounted on the inner face of a suitable external wall of thickness 75mm minimum and 508mm maximum.

(a) **HEARTH MOUNTING:** If the fire is to be hearth mounted, the hearth must be of non-combustible material at least 13mm thick and measuring at least 670mm wide by 300mm deep with the fire central. Its top surface should preferably be 50mm above the floor level to discourage placing of rugs or carpets over it.

(b) **WALL MOUNTING:** The fire may be fitted on a non-combustible wall such that the bottom of the backplate of the fire is at least 60mm above the finished floor level.

NOTE: Soft wall coverings e.g. blown vinyl wallpaper may become discoloured if close to a heating appliance. Please bear this in mind when installing this fire and when redecorating.

(c) **FITTING IN A FIRE SURROUND (Fig. 1):** The fire can be fitted in a compatible fire surround having a standard gas fire cut-out or with a hole 135mm diameter to accept the flue. The material of the surround must be suitable for 100 degC application i.e. marked with the suffix ‘100’. The inside of the external wall should be sealed off to prevent draught from the cavity into the room. A foam seal pack is provided for this purpose. Wrap some of the foam seal around the inner air duct so that when the fire is installed, the foam seal expands to prevent draught into the room.



NOTES;

1. The foam seal starts to expand once the compression tape is removed. Hence the foam seal should be put on only when the fire is ready to be installed.
2. When fixing the flue length, the wall thickness must be measured from the inner face of the fire surround (Refer to Section 5.2).

INSTALLER GUIDE

4.3 Fireplace clearances (See Fig. 2).

4.3.1 The minimum height from the extreme top surface of the fire to the underside of any shelf made from wood or other combustible materials is as follows:

For a shelf up to 150mm deep

Minimum height from the extreme top surface of the fire = 150mm.

For a shelf deeper than 150mm

150mm + 12.5mm for every 25mm depth over 150mm.

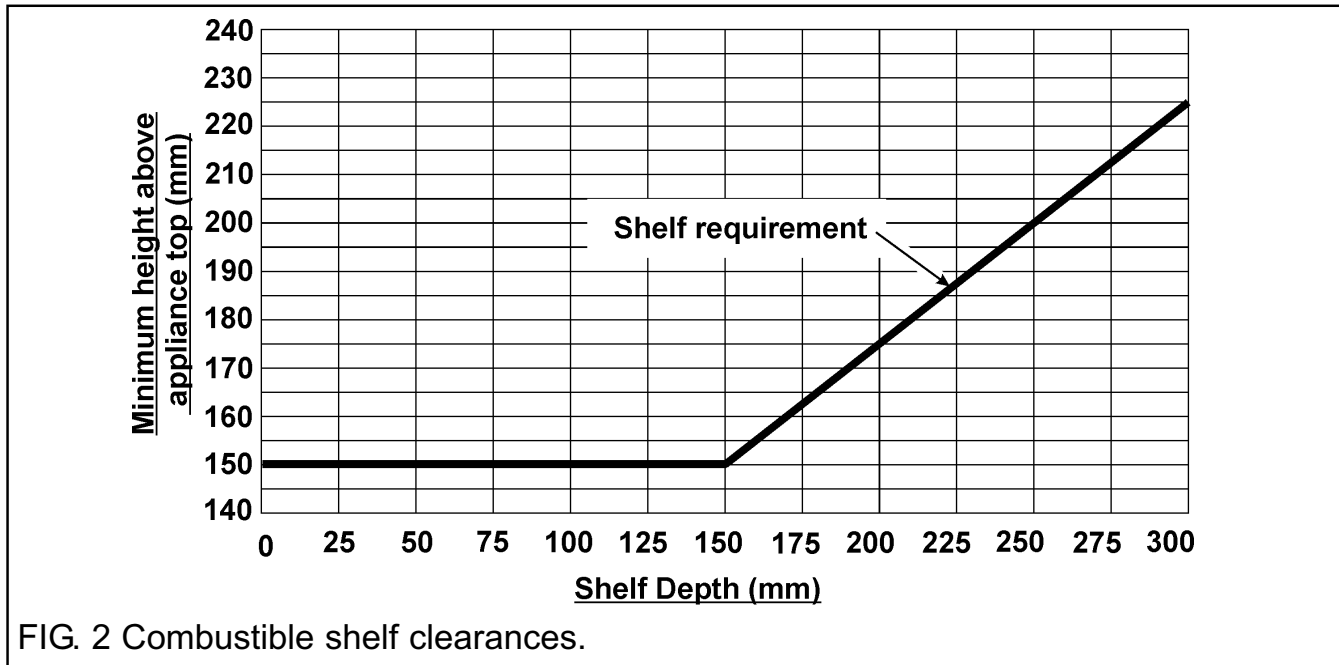


FIG. 2 Combustible shelf clearances.

There is no restriction on the depth of non-combustible projections but a space of at least 30mm should be allowed above the top of the appliance to enable removal of the fascia.

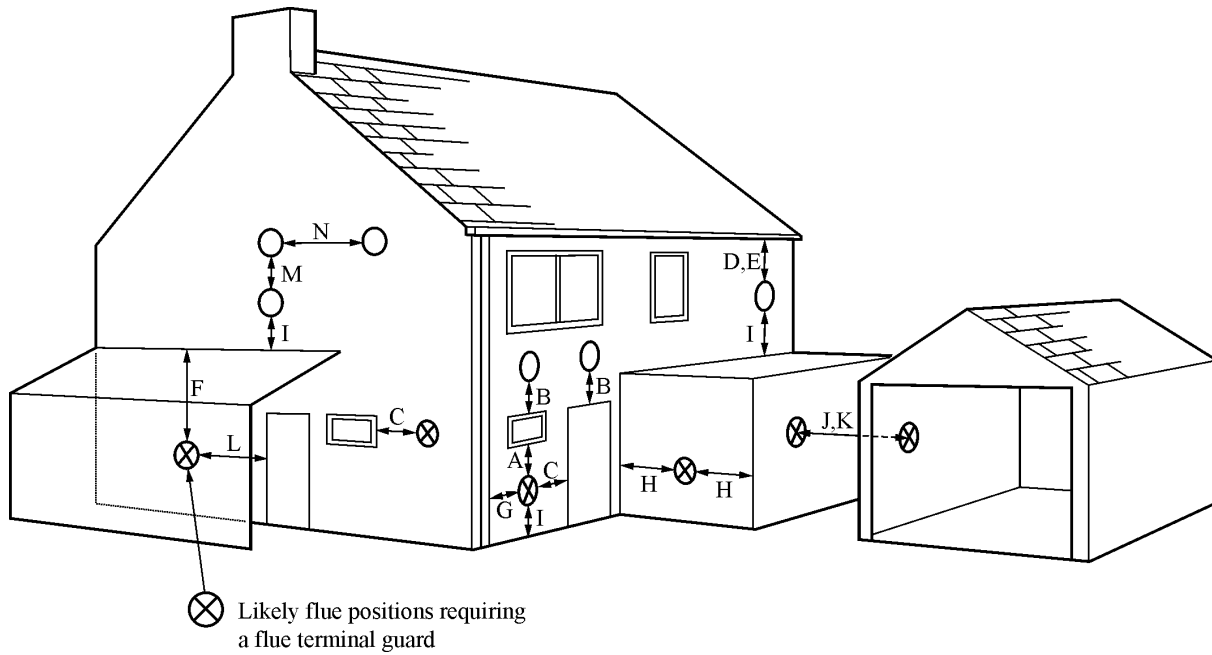
4.3.2.1 For **combustible** projections **up to** a depth of **178mm** (Measured from the rear fixing plane of the fire) a minimum clearance of 75mm should be maintained at the left and right side of the fire. This is measured from the extreme side of the fascia. This will allow easy access. This clearance is mandatory for temperature requirements.

4.3.2.2 For any **combustible** projections **beyond 178mm** (Measured from the rear fixing plane of the fire) a minimum clearance of 100mm should be maintained at the left and right side of the fire. This is measured from the extreme side of the fascia. This clearance is mandatory for temperature requirements.

4.3.2.3 For **non-combustible** projections a minimum clearance of 75mm should be maintained at the left and right side of the fire. This is measured from the extreme side of the fascia. This will allow easy access.

If the fireplace opening is greater than the acceptable dimensions given in this guide, do not use the back of a fire surround or marble to reduce the opening. This may cause cracking of the surround back or marble.

INSTALLER GUIDE



Key	Terminal position	Minimum distance.
A*	Directly below an opening, air brick, opening window etc.	300mm
B*	Above an opening, air brick, opening window etc.	300mm
C*	Horizontally to an opening, air brick, opening window etc.	300mm
D	Below gutters, soil pipes or drain pipes.	300mm
E	Below eaves.	300mm
F	Below balconies or car port roof.	600mm
G	From a vertical drain pipe or soil pipe.	300mm
H**	From an internal or external corner.	600mm
I	Above ground, roof or balcony level.	300mm
J	From a surface facing the terminal.	600mm
K	From a terminal facing the terminal.	600mm
L	From an opening in a car port (e.g. door, window) into dwelling.	1200mm
M	Vertically from a terminal on the same wall.	1500mm
N	Horizontally from a terminal on the same wall.	300mm

*In addition, the terminal should not be nearer than 300mm to an opening in the building fabric formed for the purpose of accommodating a built-in element such as a window frame or door frame (See figure 4).

** The reference to external corners does not apply to building protrusions not exceeding 450mm, such as disused chimneys on external walls.

FIG. 3

INSTALLER GUIDE

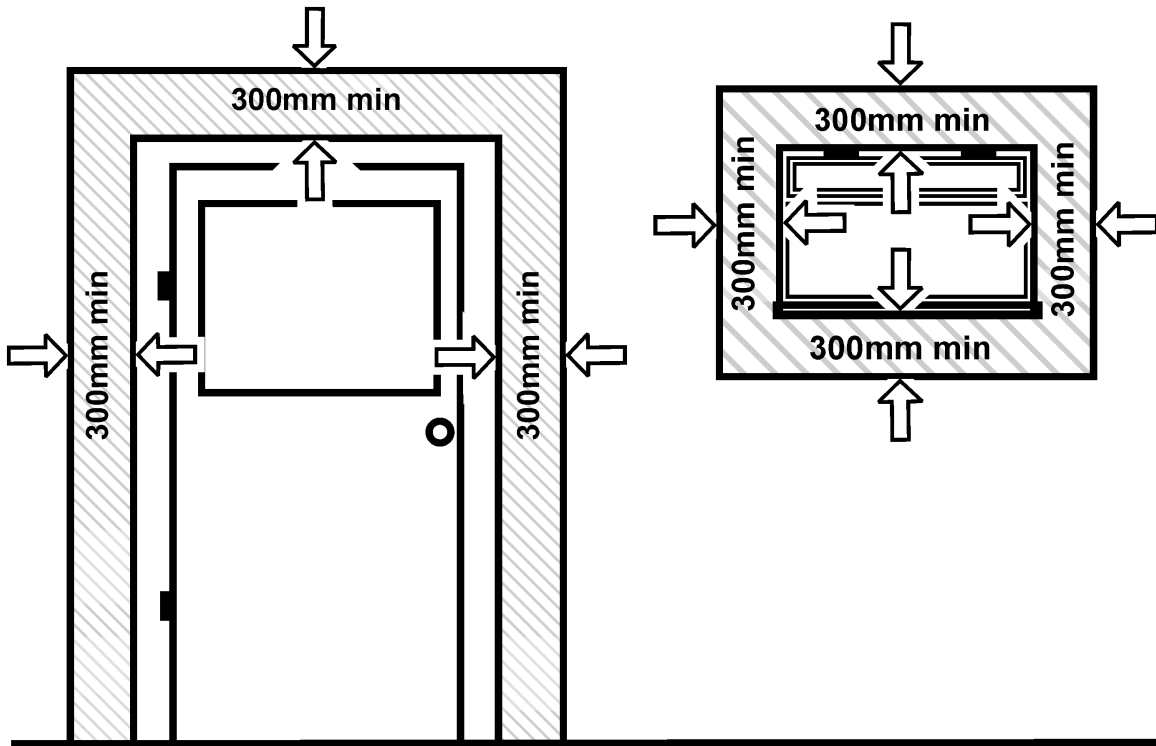


Fig. 4

INSTALLER GUIDE

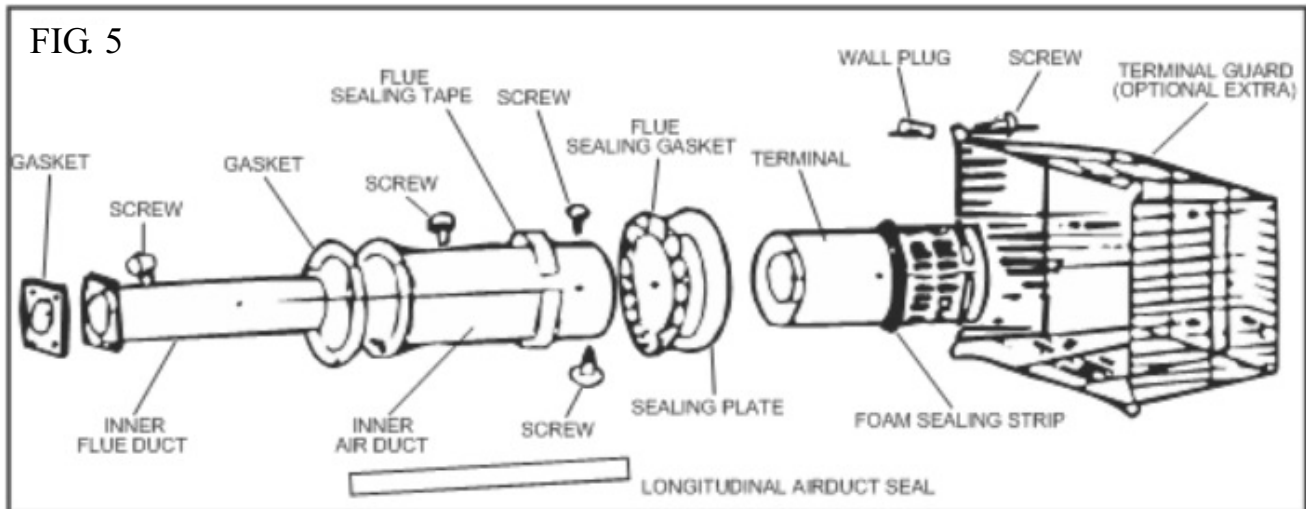
5. PACK CONTENTS

The fire is packed in a carton together with the following items (Ref Fig. 5):-

1. Medium flue assembly and sealing tape (two pieces).
2. Gasket pack comprising flue and air duct gaskets and sealing gasket.
3. Flue sealing plate.
4. Pack of fittings comprising:

4 x Wall fixing screws (2in wood)	810500
4 x Wall plugs	820813
3 x M4 x 10 Taptite screws (air duct)	810327
2 x No. 6 S/T x 10 posi pan	810776
5. Foam seal pack. 822092.
6. A template representing the backplate full size; indicating the positions of the air inlet duct and fixing screw positions.
7. The fuel effect.

Remove the items and keep in a safe place. Check that all the items are present and undamaged. Lay the fire on its back in a safe place.



INSTALLER GUIDE

6. PREPARATION OF WALL

NOTE: The following instructions relate to normal brick walls. If the wall is wholly or partly of combustible material, a combustible wall kit (optional extra) must be used.

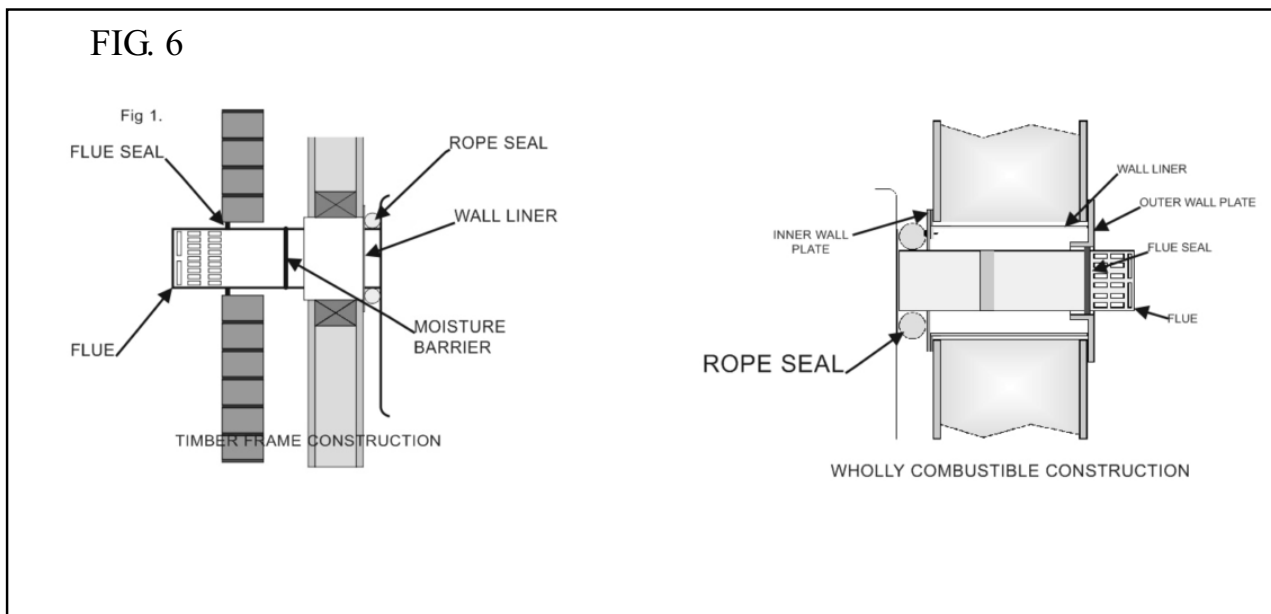
Check the wall thickness. Three different sizes of flue available for wall thickness up to 508mm as shown below. The medium flue is packed with the heater, the other lengths must be ordered specially.

Min (Telescopic) -	150mm	to	203mm
Short -	75mm	to	203mm
Medium -	200mm	to	356mm
Long -	356mm	to	510mm

Place the template against the wall ensuring the top is level. For hearth mounting, ensure that the centre of the flue is 351mm above the hearth. Mark the positions of the flue and four fixing holes and remove the template.

Cut the hole for the flue making sure that it is straight and level. This can be done with either a 135mm diameter core drill or hammer and chisel. If neatly drilled no making good is necessary. If not it will be necessary to make good the hole especially at the terminal end where the flue seal will be located and the inside wall face to achieve a good seal.

Use the template to mark the fixing holes if necessary. Drill the four fixing holes to a minimum depth of 57mm using 6mm diameter masonry drill and insert the plugs.



INSTALLER GUIDE

6.1 COMBUSTIBLE WALLS

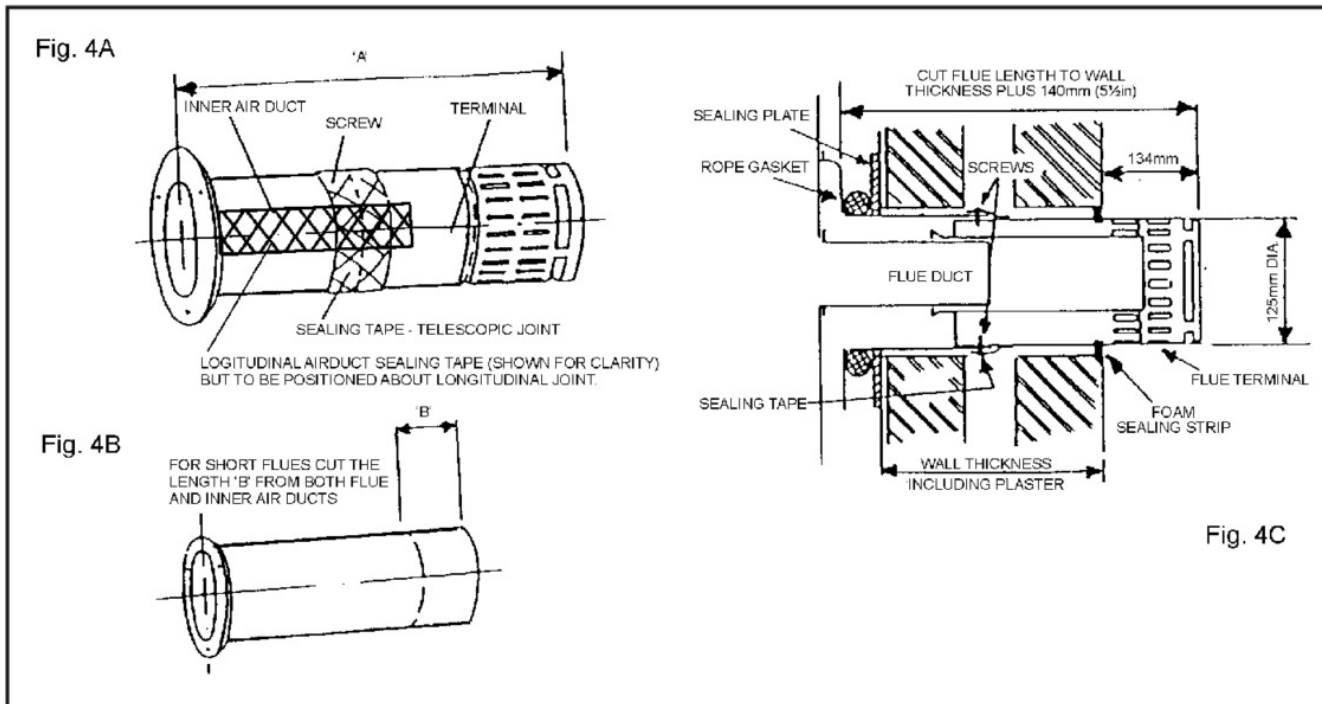
- A. For installation on walls constructed or comprising combustible materials, reference should be made to the requirements of BS 5440 and the Building Regulations.
- B. Timber Framed Housing: For a timber framed house, the fire can be installed as directed in The Institute of Gas Engineers Utilization Procedure IGE/UP/7 GAS

6.2 INSTALLATIONS IN TIMBER FRAME BUILDINGS.

- A. The combustible wall kit is suitable for walls in which the combustible part is not more than 195 mm thick measured from the inside of the building.
- B. The combustible wall kit required is RW number 994530, GC No. 154 759. If the whole of the wall is of combustible material, the outer wall plate must be used, requiring access to the outside of the building.
- C. If the screws and the wall plugs supplied are not suitable for a particular application, proprietary cavity wall fixings may be used.
- D. Proceed as detailed in Section 6 for brick walls, EXCEPT for the following points: -
- (a) Cut the hole for the flue to a diameter of 178 mm through the plaster board taking care not to damage the Vapour Control Layer (VCL).
- (b) Cut the VCL 10 mm less in diameter than the hole just cut in the plasterboard. This will ensure a seal around the flue liner.
- (c) Continue the 178 mm diameter hole through the remainder of the combustible material. If the outer leave of the wall is constructed of non-combustible material then cut the hole 135 mm diameter making allowances for the shrinkage of the timber frame.
- (d) Measure the thickness of the combustible part of the wall and cut the flue liner to this length, cutting off the end without the fixing brackets. Fit the liner to the sealing plate using the screws provided.
- (e) Push the liner through the VCL taking care not to damage the VCL, and ensuring that the liner DOES NOT protrude into the cavity by more than 10 mm.
- (f) If the wall is wholly of combustible material, install the outer wall plate centrally over the hole from the outside as shown in the diagram below. It is recommended that a silicone sealing compound is applied to the inner face of the wall plate to provide a watertight installation.
- (g) Fit the flue, see the Fit Flue section in the Installation Instructions provided with the appliance. NOTE: When determining the flue length, measure the wall thickness from the face of the outer wall plate.
- (h) Slide the rope seal over the flue, until it touches the back of the heater, prior to removing the tape from the flue foam sealing strip.
- (i) Before installing the flue into the wall is necessary to provide a moisture barrier around the flue at the point which will be in the centre of the cavity. Either of the following methods are acceptable: -
- (i) Wrap a wire which will not cause corrosion tightly around the flue.
- (ii) Form a bead of mastic or silicone around the flue.

INSTALLER GUIDE

Note: It is not necessary to allow for shrinkage of timber frames in existing buildings where the necessary length of time has elapsed to allow for any contraction of the timber frame.



7. PREPARATION OF FIRE

7.1 Remove Outer Case

- Remove the door mask by first lifting upwards to clear the retaining pins and then swinging it out from the fire bottom first.
- Pull off the control knob.
- Remove the four screws, two either side of the fire securing the outer case.
- Lift the outer case away from the fire and put in a safe place.
- Remove the glass door by removing the wingnuts on the door surround. Lift off the glass door and put in a safe place.

7.2 Fit Flue

- Place the heater face down taking care to protect any soft surface.
- Fit the flue and air ducts to the back of the heater using the gaskets and screws provided. This operation is made easier by using the screws to tap the holes before assembly. The four screws for the flue duct are already fitted to the fire. The flanges of the ducts are marked 'TOP' to indicate the way in which the ducts are to be fitted.

Note: Do not remove the two middle slotted screws.

INSTALLER GUIDE

NOTE: The flue and air ducts do not need cutting unless the short flue assembly is being fitted. In this case measure the wall thickness. Then subtract this length from 203mm to give the length 'B' shown in Fig. 4B. Cut this length from the plain ends of both the inner flue and the inner air ducts.

(c) Adjust the flue length: First measure the wall thickness and add 140mm to give the overall length of flue 'A'. Fit the terminal assembly to the ducts already fitted to the heater. The top of the assembly is marked 'TOP'. Set the overall length of the flue to the dimension 'A' (Fig. 4A). Drill 2.7mm diameter for the fixing screws but do not fit them yet. Remove the flue terminal.

(d) Slide the sealing rope gasket and the sealing plate over the air duct as shown in Fig. 4C. Refit the terminal and secure it with the screws provided. Seal the joints using the self-adhesive tape provided.

(e) Remove the tape from the foam sealing strip on the terminal. Do not remove the tape before the fire is ready to be installed as the foam strip commences to expand once the tape is removed. The rate of expansion however, is low and there will be adequate time to install the heater, after which the foam strip will continue to expand and fill the gap between the flue and the wall. If for any reason the sealing strip has already expanded before the heater is installed, it can simply be compressed by hand until it is flush with the surface of the flue.

(f) Insert the two top wall fixing screws, leaving the plain shank projecting to allow the keyhole top fixing holes to go over them. Offer the fire with the flue through the wall and hook the keyholes over the screws. Insert the lower wall fixing screws and secure all four screws.

(g) If a terminal guard is required (optional extra) fit it with the kit supplied ensuring that it is concentric with the terminal.

7.3 Connect to Gas Supply (Using rigid or semi rigid tubing incorporating a service cock)

With the outer case removed, the gas inlet pipe is located at the right hand side of the fire. Connect the fire to the gas supply via the union elbow provided. This union elbow should be fitted to the end of the supply pipe and then held in position onto the flare whilst this is engaged. Tighten the flare nut with a spanner. The union elbow has Rp $\frac{1}{4}$ ($\frac{1}{4}$ in B.S.P. internal) thread for supply pipe.

7.4 Test for Gas Soundness (Refer to BS 6891 : 1988)

The gas installation, including the meter, should be inspected and tested for soundness and purged.

7.5 Install Fuel Effect

Remove the coal effect from its pack. The coal effect is a one piece assembly and has a 'tunnel' cut out at one end. Fit the coal effect so that this tunnel is over the pilot burner on the right side of the firebox. The coal effect should come to rest on the full length inner front support and also on the two rear coal supports.

7.6 Replace Glass Door

Refit the glass door ensuring all studs protrude through the door evenly. Replace the wingnuts and tighten evenly.

INSTALLER GUIDE

8. COMMISSIONING

8.1 Check the Gas Pressure and F.S.D. Operation

Remove the pressure test point sealing screw located on the gas tap and connect a pressure gauge to the test point. Temporarily fit the control knob.

(a) Light the fire. Please refer to the Users Instructions. Turn the control knob to the full on position marked HIGH.

(b) Check that the burner pressure is $17.5\text{mbar} \pm 1.0\text{mbar}$ (7.0 in w.g. ± 0.4) cold. The fire is designed to give the correct heat input on Natural Gas at 20mbar (8 in w.g.) inlet pressure and no adjustment is provided in the fire. Turn off the fire. Wait 3 minutes then turn the control knob directly to the full on position marked HIGH. The pressure should read ZERO to confirm the FSD has shut off the gas. Remove the pressure gauge and replace the pressure test screw. Re-light the fire and test for gas soundness around the sealing screw using a suitable leak detection fluid.

(c) Check ignition performance.

WARNING: If you want to re-light a hot fire wait three minutes before doing so.

8.2 Refit Outer Case and Remaining Components

Pull off the knob. Replace the outer case by placing it over the fire right hand side first and ensure that the spindle enters the hole in the knob housing before swinging the left side of the case onto the fire. Fit four screws two each side to secure the case. Drop the spindle washer over the spindle and refit the control knob. Refit the door mask. Fit the decorative rail by inserting between the finials and into the holes in same.

8.3 Instruct User (Refer to Users Instructions)

Make sure that the user understands the following:-

(a) How to light and operate the fire.

(b) Demonstrate the removal and replacement of the glass door and the removal and replacement of the ceramics. Advise on the need to clean these items regularly.

(c) Advise that for safe and efficient operation, the fire should be serviced annually by a Gas Safe registered Engineer.

(d) When the fire is first lit a slight smell may be noticed but this will quickly clear away with use.

(e) Advise the customer that they should read their Users instructions before operating the fire and always follow the advice in the Section headed "Cleaning your Fire".

(f) The control knob adaptor may be fitted to assist with the operation of the fire (See Fig. 13). Leave with the User if not fitted.

Hand over the Users Instructions.

INSTALLER GUIDE

9. SERVICING

Important Notes: TURN OFF THE GAS SUPPLY BEFORE COMMENCING ANY SERVICING, ALWAYS TEST FOR GAS SOUNDNESS AFTER SERVICING OR EXCHANGING ANY COMPONENT.

It is recommended that the appliance is serviced at least once a year.

9.1. REMOVE OUTER CASE

- (a) Remove the decorative rail from the finials.
- (b) Remove the door mask by first lifting upwards to clear the retaining pins and then swinging it out from the fire bottom first.
- (c) Pull off the control knob.
- (d) Remove the four screws, two either side of the fire securing the outer case.
- (e) Lift the outer case away from the fire and put in a safe place. Recover the spindle washer.

9.2. GAS TAP ASSEMBLY

Remove outer case (1. above) and after isolating gas supply disconnect the inlet elbow.

- (a) Removal: Withdraw the spring clip securing the extension spindle assembly to the gas tap spindle and remove the extension spindle assembly. Undo the union nuts on the tap outlet and remove pilot feed pipe. Disconnect the thermocouple at the gas tap end and the leads from the spark generator. Remove the two screws securing the gas tap to the support bracket on the fire. Manoeuvre the gas tap complete with inlet pipe away from the fire after disconnecting the inlet pipe clamp.
- (b) Replacement: Ensure that the new gas tap is in the OFF position by turning the spindle clockwise as far as possible. Peel off the tape on the pilot outlet and ensure that the pilot filter is retained in the port. Refit the tap using the reverse procedure to its removal. Refit the spindle assembly.

NOTE: With the tap in the OFF position, the flat of the spindle extension faces towards the right of the fire. Check that the tap functions correctly. Replace the outer case.

9.3. BURNER ASSEMBLY

Remove the outer case (1. above). Isolate the fire from gas and disconnect the inlet elbow. Remove the glass door (10 wingnuts) and coal bed and put in a safe place. Remove the wingnut on the left side of the firebox, 6 screws holding the burner mounting plate to the right side of the firebox and 2 screws securing the gas tap to its mounting bracket. Disconnect the spindle extension and the leads from the spark generator, remove the pipe clamp securing the inlet pipe. Remove the burner, pilot and gas tap assembly by sliding the unit to the right and out of the firebox.

INSTALLER GUIDE

NOTE: If the fire had been previously installed in a fire surround with a restricted access on the right side then it will be necessary to remove the fire from the wall to remove the burner assembly as previously detailed. Alternatively it is possible under these circumstances to remove the control/pipework assembly from the burner first and to withdraw the burner through the front firebox opening. After removing the burner assembly from the fire detach the feed pipes from the gas tap to the injectors at the injector end. By withdrawing the injectors from the burner mounting plate the main burner becomes free and can be exchanged. When fitting the replacement burner transfer the aeration cover from the old burner. Re-assemble into the fire following the reverse procedure to dis-assembly.

9.4. MAIN BURNER INJECTORS

After removing the outer case (1. above) access to the injectors is achieved by first removing the respective injector feed pipe then withdrawing the injector. Only withdraw one injector at a time. The upper injector is size 180 and feeds gas to the centre burner section and the lower injector is size 160 and feeds gas to the outer burner sections.

9.5. PILOT INJECTOR (SIT No. 34)

- (a) Release the tubing nuts at each end of the gas supply tube and remove the tube taking care not to lose the pellet filter in the pilot outlet of the gas tap. The injector is held captive by the olive in the burner.
- (b) Replace the injector with a new one. Re-connect the supply tube and tighten the nuts.

9.6. PILOT FILTER

Proceed as in 5(a) above to remove the gas supply tube. Remove the filter in the pilot outlet of the gas tap. Replace with a new filter and re-assemble.

9.7. THERMOCOUPLE

- (a) Release the tubing nuts at each end of the thermocouple and remove.
- (b) Fit a new thermocouple and tighten the nuts.

9.8. SPARK ELECTRODE

- (a) Undo the tubing nut of the thermocouple at the pilot end and release the thermocouple.
- (b) Disconnect the ignition lead at the electrode.
- (c) Undo the tubing nut of the electrode and remove the electrode.
- (d) Replace with a new electrode and re-assemble in the reverse manner. Do not over tighten the nut.

9.9. PILOT BURNER

Release pilot feed tube, thermocouple and spark electrode as detailed in 5, 7 and 8 above. Remove 4 screws securing the pilot burner to the support plate and withdraw the pilot burner. Transfer gasket from the old pilot to the new pilot and fit the new pilot. Re-assemble the remaining components in the reverse manner to removal.

INSTALLER GUIDE

10. SHORT LIST OF PARTS

PART NUMBER	DESCRIPTION
991979	Coal Bed
991725	Control Knob
987623	Gas Tap c/w switch
820363	Spark Electrode
822131	Pilot Filter
822205	Thermocouple
991635	Door Assembly
987632	Ignition Lead
987633	Lead - switch/spark generator (2 off)



OWNER GUIDE

FOR WARRANTY AND SERVICE INFORMATION
SEE PAGES 32 TO 35

OWNER GUIDE

CONTENTS

<u>Section</u>	<u>Heading</u>	<u>Page</u>
SAFETY		26
GAS CONSUMPTION		28
OPERATING THE FIRE		28
	To light the fire	28
	To turn off	28
	Heat Settings	29
	Changing the Battery	29
TO REMOVE THE GLASS DOOR		29
CLEANING YOUR FIRE		30
	Coal Bed	30
	Cleaning the ceramic fuel effect pieces.	31
SERVICING AND MAINTENANCE		31
	Regular maintenance	31
WARRANTY AND SERVICE		32

This gas fire is designed to meet the most stringent quality, performance and safety requirements to provide our customers with many years' trouble-free service.

Your owner guide aims to improve your understanding and appreciation of your gas fire by providing simple and informative instructions to ensure that you benefit from the excellent performance and features it has to offer.

The Valentia is a room sealed, live fuel effect gas fire with coals. It has a balanced flue system which takes air for combustion from the outside and discharges products of combustion to the outside. It must be mounted on an external wall and can stand on a non-combustible hearth or suitable fire surround. There are four heat settings operated by turning the control knob which is located at the top right hand side of the fire. The burner system is designed to give various flame effects at the respective heat settings.

Ignition is by battery spark generator operated by turning and pressing the knob to light the pilot. It has a thermo electric flame supervision device for safety. Use only the coal bed supplied with this fire. Do not use any other material or burn any rubbish on the fire. Do not use the fire with a broken or damaged fuel bed or with a broken or cracked glass.

OWNER GUIDE

SAFETY

IF YOU SMELL GAS

- **DON'T SMOKE.**
- **EXTINGUISH ALL NAKED FLAMES.**
- **DON'T TURN ELECTRICAL SWITCHES ON OR OFF.**
- **TURN OFF THE GAS SUPPLY AT THE METER.**
- **OPEN DOORS AND WINDOWS TO GET RID OF THE GAS.**
- **IMMEDIATELY CALL THE GAS EMERGENCY SERVICE FROM A NEIGHBOURS PHONE - SEE YOUR LOCAL TELEPHONE DIRECTORY.**

Do have the fire installed by a competent person. In the United Kingdom, installation must be in accordance with the latest edition of the Gas Safety (installation & use) Regulations. In the Republic of Ireland, installation must be in accordance with all national and local regulations in force.

Do have the fire installed in accordance with the installer guide.

Do wait three minutes before attempting to relight if the fire is switched off or the flames are extinguished for any reason. *Your fire is fitted with a safety device that will automatically shut off the gas supply to the fire if, for any reason, the flames go out.*

Do provide a minimum clearance of 150mm from the extreme top surface of the fire to any shelf made of wood or other combustible material where the shelf is not more than 150mm deep. For a shelf deeper than 150mm, add 12.5mm to the clearance for every 25mm of additional shelf depth (See figure 1)

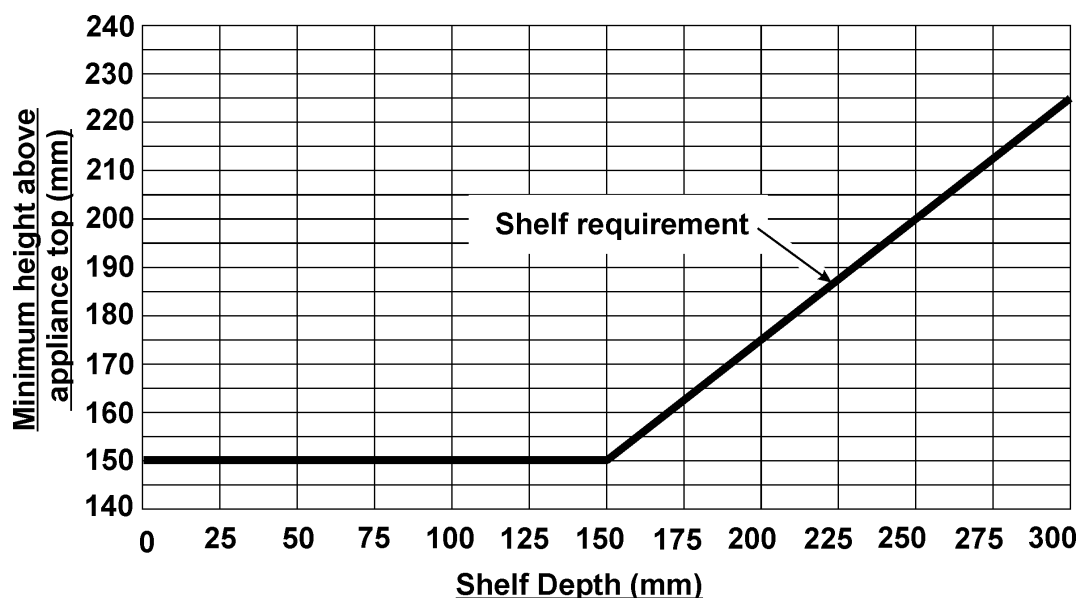


Figure 1. Combustible shelf clearances.

OWNER GUIDE

Do provide the following clearance for combustible projections up to a depth of 178mm (Measured from the rear fixing plane of the fire). A minimum clearance of 75mm should be maintained at the left and right side of the fire. This is measured from the extreme side of the fascia. This will allow easy access to the control knob and knurled nuts for removal of the fascia. This clearance is mandatory for temperature requirements.

Do provide the following clearances for combustible projections beyond 178mm (Measured from the rear fixing plane of the fire). A minimum clearance of 100mm should be maintained at the left and right side of the fire. This is measured from the extreme side of the fascia. This clearance is mandatory for temperature requirements.

Do provide the following clearances for non-combustible projections (Measured from the rear fixing plane of the fire). A minimum clearance of 75mm should be maintained at the left and right side of the fire. This is measured from the extreme side of the fascia. This will allow easy access to the control knob and knurled nuts for removal of the fascia.

Do provide a suitable guard which complies with BS 8423 for the protection of young children, the elderly and the infirm. Such a guard is also recommended for the protection of pet animals. *Although this fire conforms to all the applicable standards, it is a heating appliance and certain parts of its surface will become hot.*

Do get advice about the suitability of any wall covering near your fire. Soft wall coverings (e.g. embossed vinyl, etc.) which have a raised pattern are easily affected by heat. They may, therefore, scorch or become discoloured when close to a heating appliance. Please bear this in mind whenever you are considering redecorating.

Do keep the flue terminal on the outside wall free from all obstructions and blockages.

Don't hang clothing, towels or any other fabrics over the fire.

Don't use the fire without the glass window panel in position or with damaged glass.

Don't add any additional ceramic fuel effect pieces on to the ceramic fuel pieces supplied with the fire. This could cause a safety hazard.

Don't use the fire without the ceramic fuel effect and rear wall correctly in position or if they are damaged.

Don't attempt to put paper or any other material on the fire.

Don't place any carpet, rug or other soft surface material under or within 300mm forward of the appliance over its full width side-to-side. (Although this fire does not have to be on a non-combustible hearth, such soft materials could interfere with the air flow into and through the bottom of the fire).

Don't attempt to clean or service the fire until it has been switched off and allowed to cool completely.

Don't attempt to clean the bright metal interior of the firebox with metal polish or other abrasives. After a little time the firebox will colour. This is quite normal.

OWNER GUIDE

Please Note

As with all windows, the glass may need to be cleaned both outside and inside from time to time. The window and frame on this appliance has, therefore been designed to be customer removable allowing you to clean it without having to call in a service engineer. Details of how to remove the window unit are given further on in this guide.

When operating your fire for the first time, some vapours may be given off which may cause a slight odour and could possibly set off any smoke alarms in the immediate vicinity. These vapours are quite normal with new appliances. They are totally harmless and will disappear after a few hours use.

GAS CONSUMPTION

The fire has a maximum gas input of 4.5 kW (Gross).

The fire has a maximum heat output of 3.75 kW.

The fire has a minimum gas input of 1.5 kW (Gross).

The fire has a minimum heat output of 1.0 kW.

OPERATING THE FIRE

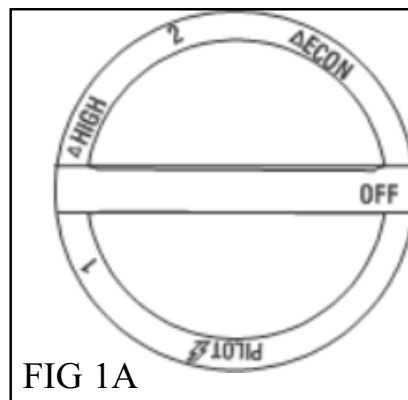
PLEASE NOTE

When operating your fire for the first time, some vapours may be given off which may cause a slight odour and could possibly set off any smoke alarms in the immediate vicinity. These vapours are quite normal with new appliances. They are totally harmless and will disappear after a few hours use.

The control knob is located on the top right hand side of the fire and is shown in Fig. 1A. The ignition spark generator, battery powered (size AA), is located at the lower rear RH side.

WARNING: If the pilot light is extinguished either intentionally or unintentionally, no attempt should be made to relight the gas until at least three minutes have elapsed.

TO LIGHT THE FIRE: Turn the control knob anticlockwise to the (pilot) position. Depress the control knob, sparks will be heard and the pilot should light, this can be confirmed by looking through the glass to the right hand side of the fuel bed in the direction of arrow 'A' (See Fig 1B). If the pilot is lit, hold down the control knob for a further 10 seconds before releasing. The pilot should remain alight. If the pilot does not remain alight, or has not ignited, push in the control knob slightly, turn back to OFF and repeat the above procedure.



OWNER GUIDE

Turn the control knob to setting 1 before choosing any other.

NOTE: The control knob should be pushed in slightly before turning, and always set to one of the stated positions.

It is connected to the gas tap by a universal coupling and will have a 'loose feel' to it, which should not cause concern.

To turn off - Push in the control knob slightly and turn it clockwise to OFF position.

WARNING: If you want to relight a hot fire wait three minutes before doing so.

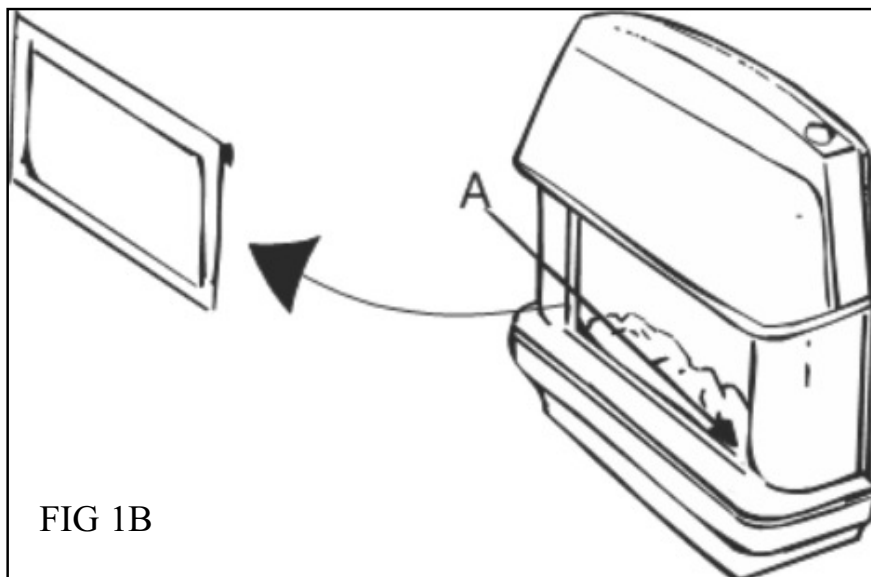


FIG 1B

HEAT SETTINGS

There are four heat settings 1, HIGH, 2 and ECON (See Fig. 1A). Setting 1 provides gas to the full burner at a low level. Setting HIGH gives the full heat output. Setting 2 uses about the same amount of gas as 1 but limits this to the centre section of the burner. You therefore see a different flame picture but still see the pilot flame on the right. Setting ECON is the lowest heat setting and gives gas at a low rate to the centre burner section. Never turn the knob quickly from pilot to 2 or ECON, always turn to 1 first.

CHANGING THE BATTERY

The ignition spark generator, containing the battery (size AA) is located at the lower RH side. Unscrew the cap, anti-clockwise off the battery holder. Remove the battery and replace with a new one. This needs to be inserted "flat end first" this is the negative terminal. Replace the cap carefully to avoid cross-threading it.

Please note: Consumable items, such as batteries are not covered by the guarantee.

TO REMOVE THE GLASS DOOR

Pull the door mask upwards and forwards (see Fig 1B). The glass door is retained by ten wing nuts and after removing these you may slide the glass door forwards and away from the fire. The inside of the window should be cleaned with a 'ceramic hob' cleaner, such as Hobbrite, before refitting

OWNER GUIDE

CLEANING YOUR FIRE

(SEE COAL BED)

NOTE: Abrasive cleaners should never be used.

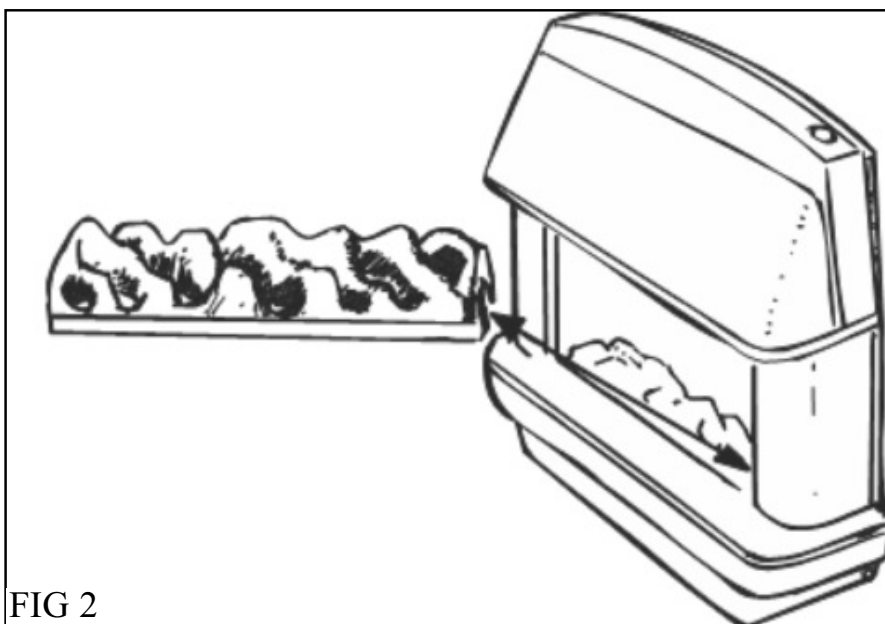
All cleaning should be carried out when the fire is cold. As the fire is used, the bright metal finish around the fuel bed will darken to enhance the fuel effect. There is no need to use metal polish on these parts as the discoloration is normal. Generally the fire would only need dusting. Any painted surface or metal part may be cleaned with a damp cloth. Any stains on the glass can be removed with a non-abrasive cleaner or ceramic hob cleaner. The fuel effect components may be cleaned with a soft brush. It is recommended that a vacuum cleaner is not used.

COAL BED

The coal bed is a one piece assembly and may be removed for cleaning or exchanging. To do this first remove the glass door as previously instructed then lift the coal bed straight out. Take care as the coal bed is a fragile component.

When replacing ensure that the end cut out of the coal bed is positioned over the pilot on the right hand side of the fire. (See Fig. 2).

Should any soot accumulation become excessive, the fuel effect pieces should be removed from the fire for cleaning. Cleaning should be carried out in a well-ventilated area or in the open air, by gently brushing with the pieces held away from your face so that you avoid inhaling the dust. We do not recommend the use of a normal domestic vacuum cleaner, which may blow dust back into the air.



All cleaning should be carried out when the fire is OFF and has been allowed to cool completely. Normally, the fire should only need dusting. Any stains on the glass can be removed with a non-abrasive cleaner such as a ceramic hob cleaner. Abrasive cleaners should never be used.

OWNER GUIDE

NOTE: Cleaning ceramic fuel effect pieces.

This product uses fuel effect pieces and gaskets containing Refractory Ceramic Fibres (RCF), which are man-made vitreous silicate fibres. Excessive exposure to these materials may cause irritation to eyes, skin and respiratory tract. Consequently, it is important to take care when handling these articles to ensure that the release of dust is kept to a minimum. To ensure that the release of fibres from these RCF articles is kept to a minimum, during installation and servicing we recommend that you use a HEPA filtered vacuum to remove any dust and soot accumulated in and around the fire before and after working on the fire. When replacing these articles we recommend that the replaced items are not broken up, but are sealed within a heavy duty polythene bag, clearly labelled as RCF waste. RCF waste is classed as a stable, non-reactive hazardous waste and may be disposed at a landfill licenced to accept such waste. Protective clothing is not required when handling these articles, but we recommend the use of suitable gloves to prevent irritation. We also recommend you follow the normal hygiene rules of not smoking, eating or drinking in the work area and always wash your hands before eating or drinking. This appliance does not contain any component manufactured from asbestos or asbestos related products.

MAINTENANCE

Regular maintenance.

In order to achieve and maintain high levels of personal safety and performance efficiency it is essential that the flue terminal outside the building is kept clear of any form of obstruction.

In the United Kingdom it is the law that a landlord must have any gas appliance, flue and pipework which is situated in a tenant's premises checked for safety at least every twelve months by a competent person (In the UK a GAS SAFE REGISTER engineer, Outside of the UK a CORGI or GAS SAFE REGISTER engineer). We recommend that all gas appliances and their flues, wherever situated, are checked annually.

- **When fitting replacement parts it is important that only approved parts are used for maximum safety.**

Standard Warranty Terms & Conditions

The warranty is for 12 months subject to contract.

In the United Kingdom servicing can be carried out either by a **GDC** service operative or a **GAS SAFE REGISTER** operative. You must register your fire by calling our telephone registration line on **0800 597 8500**.

It is also a requirement of the warranty that the fire has an annual service (every 12 months) in accordance with the installation and servicing instructions, performed by a **GAS SAFE REGISTER** operative.

Our promise to you

If you experience a fault with your new fire, we aim to provide a safe and high quality repair service supported by our dedicated national network of highly skilled operatives. If your installer can't resolve the problem for you, we will do everything we can to get an operative out to you as quickly as possible. Nothing in this warranty will affect your statutory rights.

What you need to do if you experience a problem with the operation of the fire:

- You should always contact your installer first, because the cause of the fault may not be related to the fire.
- If your installer confirms that the fault is with the fire and they can't repair it, our friendly customer service team is on hand to help.
- Simply call our UK Helpline on **0844 879 35 88** or from the Republic of Ireland on **01 842 8222** for any general advice that you may need. .

When calling the **Helpline**, it would be helpful if you could have the following information to hand:-

1. Fire serial number and fascia code (Located on the information label on the bottom RHS of the appliance Fascia)*.
2. Date of installation*.
3. Your installer name and address details*.
4. Fire make and model number*.
5. Proof of purchase (if you do not have the fire serial number).

***Note: Details 1 – 4 should be recorded on pages 34 & 35 at the end of this guide.**

What this warranty covers

Free of charge repair or replacement of components found to be of faulty manufacture.

Free of charge replacement of the complete unit providing the failure is related to a manufacturing fault that cannot be repaired or is uneconomic to repair.

What this warranty does not cover

Repairs to fires which haven't been installed and commissioned properly and as set out in the installation instructions.

Faults caused by inadequate supply of gas or electricity (where applicable).

Reimbursement of any third party repair or replacement costs that we haven't been told about or agreed with you in advance.

Compensation or consequential losses (e.g. loss of earnings, business losses, stress and inconvenience) arising from a production breakdown, including repair delays caused by factors outside our reasonable control.

OWNER GUIDE

To be completed by installer:

Installer Details (Block Capitals)

Installer Name	
Gas Safe Register or Corgi Registration Number.	
Company Name.	
Company Address	
Company Telephone number	
Company Fax number	

OWNER GUIDE

Model

Serial number (Can be found on the bottom RHS of the Fascia)

A LABEL CONTAINING THE SERIAL NUMBER MAY HAVE BEEN PLACED INSIDE THIS BOX.

Fascia name (Block Capitals)

Fascia code - Can be found close to the information label (Block Capitals)

A LABEL CONTAINING THE FASCIA CODE MAY HAVE BEEN PLACED INSIDE THIS BOX.

Brand (Please tick)

Valor

Other.....

Date of Installation

D D M M Y Y



