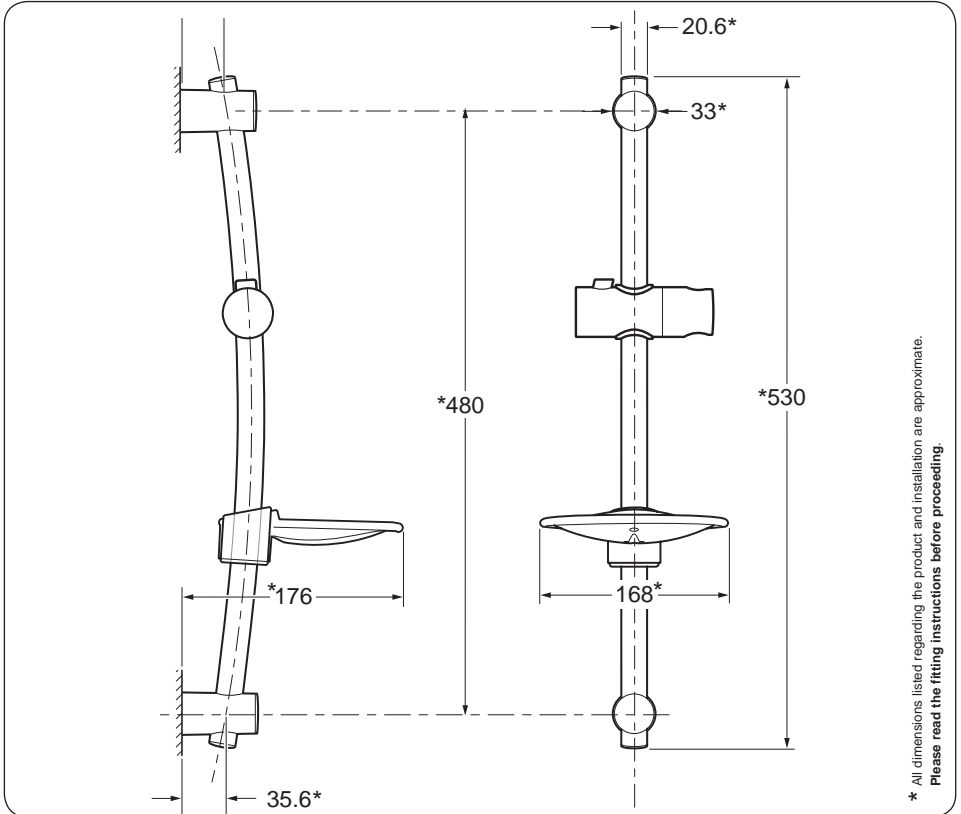


# ALFIE

## Riser rail assembly



# Installation Instructions

INSTALLERS PLEASE NOTE THESE INSTRUCTIONS ARE TO BE LEFT WITH THE USER

## FITTING THE ALFIE RISER RAIL ASSEMBLY

Fig.1

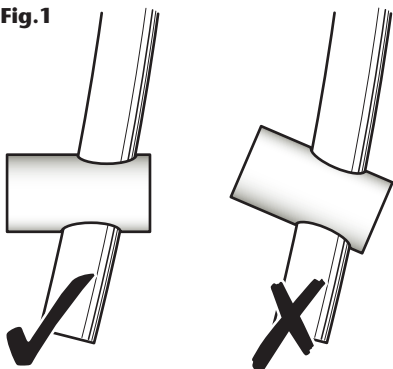


Fig.2

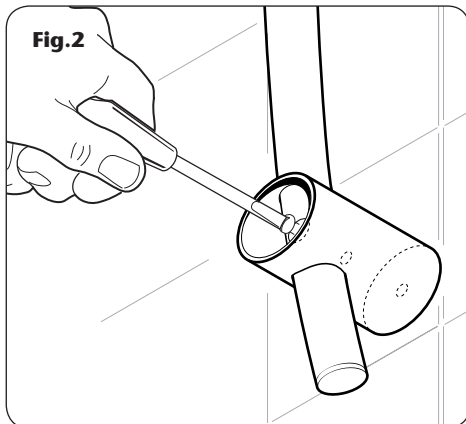
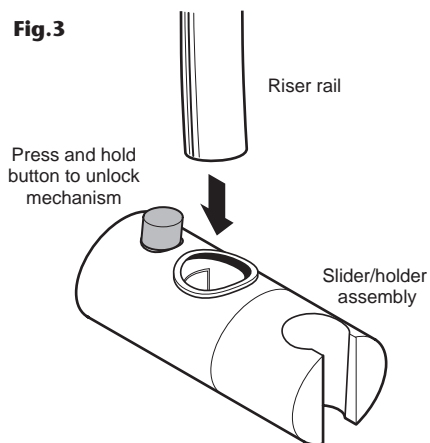


Fig.3



### WARNING!

**Check there are no hidden cables or pipes before drilling holes for wall plugs. Use great care when using power tools near water. The use of a residual current device (RCD) is recommended.**

Decide the position for the rail on the wall within the shower area. Proceed as follows:

Offer one of the brackets to the wall. Position the bracket for the lower position and mark the centre hole. Remove the bracket then drill and plug the wall. *(An appropriate drill bit should be used. If the wall is brick, plasterboard or a soft building block, appropriate wall plugs and screws should be fitted).*

Slide the lower bracket onto the riser rail. Make sure to fit it the correct way round (**fig.1**). Align the opening in the bracket with the opening in the riser rail and temporarily secure to the wall (**fig.2**).

Slide the upper bracket onto the riser rail, again making sure to fit it the right way round. Align the holes at the top of riser rail and mark the centre hole. Remove the riser rail assembly from the wall then drill and plug the wall.

Fit the showerhead holder onto the riser rail as follows: press and hold the button on the top of the holder to release the locking mechanism, then slide the holder onto the rail (**fig.3**). Simply release the button to secure the holder in place.

Slide the soap dish onto the bottom of the riser rail below the holder (**fig.4**).

Slide the lower bracket onto the riser rail. Make sure to fit it the correct way round (**fig.1**) and secure to the wall. **DO NOT** tighten at this stage.

Secure the upper bracket in place. Now tighten both the upper and lower brackets.

Fit the end caps onto both brackets. The end caps will only fit one way. Fit the riser rail trims to the top and bottom of the rail.

## FITTING THE ALFIE RISER RAIL ASSEMBLY

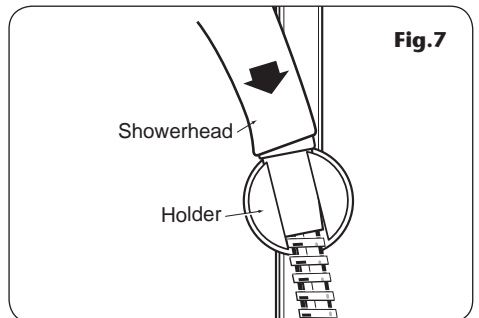
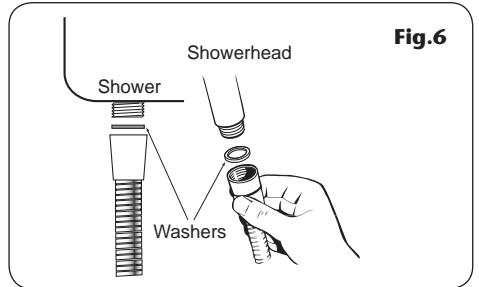
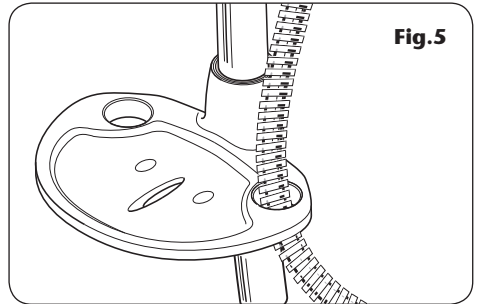
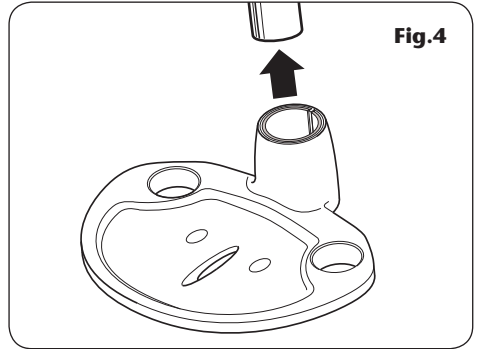
### FITTING THE HOSE AND SHOWERHEAD

Feed the flexible hose (**fig.5**) through the opening in the soap dish (Water Regulations).  
Screw the flexible hose to the shower outlet and showerhead, making sure the supplied washers are in place at both ends of the flexible hose (**fig.6**).

Place the showerhead into the holder and check that it fits correctly (**fig.7**).

**Note:** The holder is slightly tapered and the showerhead and hose will only fit from one direction.

**IMPORTANT:** It is the conical end of the hose which grips into the holder. The showerhead will not fit in the holder without the hose attached.

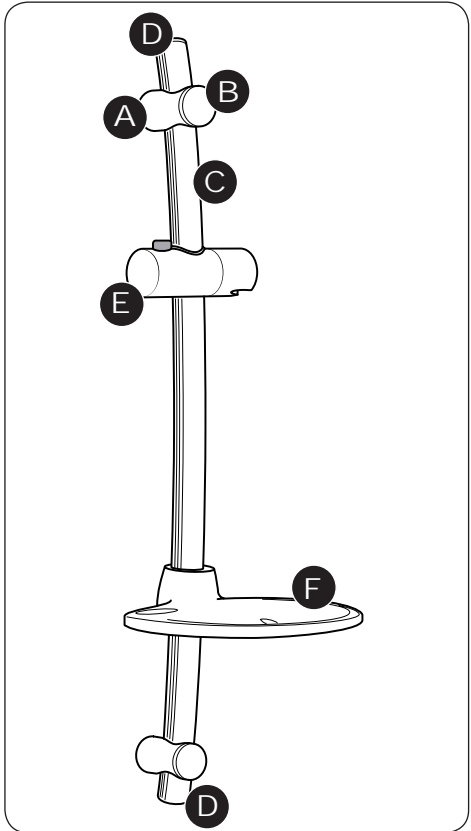


## SPARE PARTS

<i>Ref. Description</i>	<i>Spares No.</i>
- Kit (without riser rail) white chrome	88900003 88900004
<b>A</b> Bracket and trims (pair) white chrome	83308740 83308790
<b>B</b> Trim (single) white chrome	83308750 83308800
<b>C</b> Riser rail white chrome aluminium	88800003 88800004 88800009
<b>D</b> Riser rail end trims (pair) white chrome	22011870 22011860
<b>E</b> Showerhead holder white chrome	22011840 83308810
<b>F</b> Soap dish clear	22011850

Flexible hoses available in the following sizes:

- 1.00 m in white, chrome and gold
- 1.25 m in white, chrome and gold
- 1.75 m in chrome only



**Please refer to shower installation and operating instructions for service details**

## **Check out our full range of Showers**

Electric Showers

Digital Showers

Mixer Showers

Power Showers

Smart Showers

Shower Towers

## **From Top Shower Brands**

Mira Showers

Aqualisa Showers

Triton Showers

Gainsborough Showers

## **Shower Pumps can upgrade your showering experience even more**

Stuart Turner Shower Pumps

Salamander Shower Pumps

Grundfos Shower Pumps

**plumbworld**  
**Big brands, small prices.**