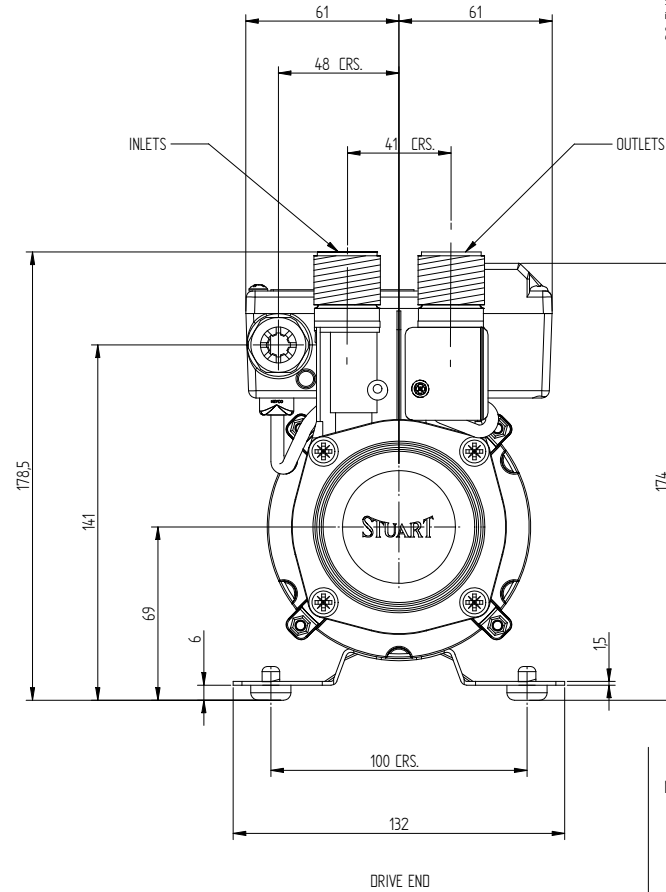
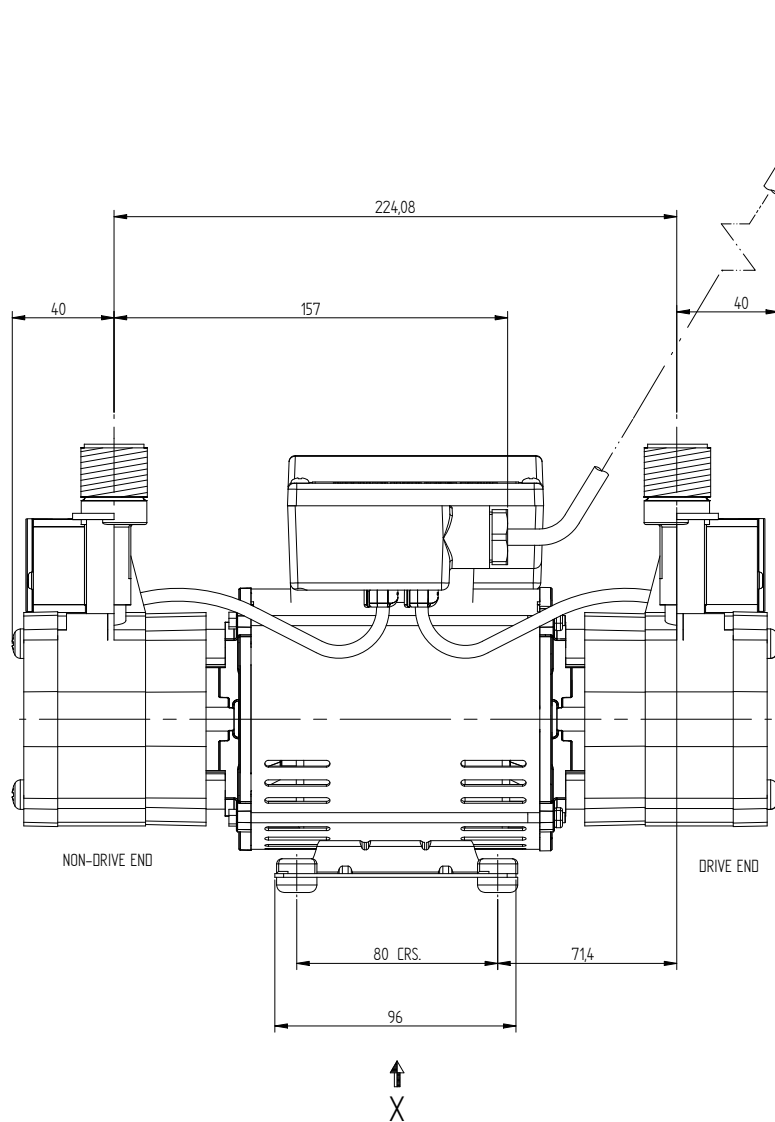
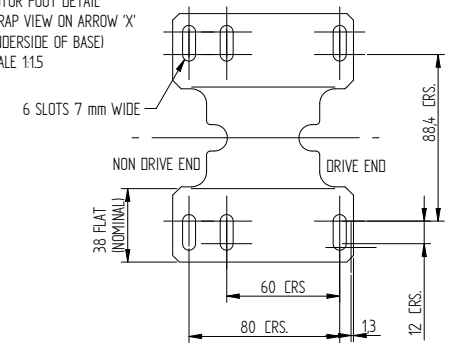


# STUART TURNER LTD HENLEY-ON-THAMES.

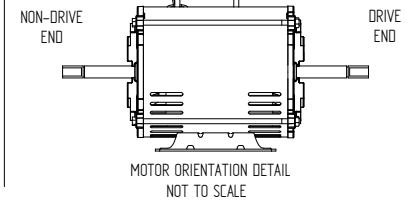
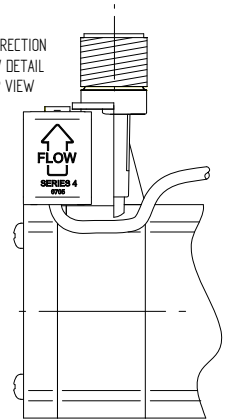
THIRD ANGLE PROJECTION

DIMENSIONS IN MILLIMETRES

MOTOR FOOT DETAIL  
SCRAP VIEW ON ARROW 'X'  
(UNDERSIDE OF BASE)  
SCALE 1:1.5



FLOW DIRECTION  
ARROW DETAIL  
SCRAP VIEW



If drawing is to be used for constructional purposes please contact Stuart Turner Ltd and request a certified document.

Stuart Turner Ltd reserves the right to amend specifications without notice.

Stuart Turner Ltd own the copyright within this document. The document may be printed for personal use only. The document must not be altered, reproduced or utilized in any way without written permission from Stuart Turner Ltd, Henley-on-Thames, Oxon, UK.

## GENERAL ARRANGEMENT OF A SHOWERMATE S1.8 BAR TWIN

W41281

DATE: 20/01/10

## **Check out our full range of Showers**

Electric Showers

Digital Showers

Mixer Showers

Power Showers

Smart Showers

Shower Towers

## **From Top Shower Brands**

Mira Showers

Aqualisa Showers

Triton Showers

Gainsborough Showers

## **Shower Pumps can upgrade your showering experience even more**

Stuart Turner Shower Pumps

Salamander Shower Pumps

Grundfos Shower Pumps

**plumbworld**  
**Big brands, small prices.**