

# aquaboost

## Pressure Sets ABP F120

Aquaboost Pressure Sets are designed to meet system demands in larger domestic and light commercial applications.

The ABP pump is mounted onto a WRAS Approved 24 litre diaphragm tank providing a buffer of pressurised stored water. Ideally suited to boost stored cold water supplies from a storage tank to un-vented hot water cylinders or combination boilers.

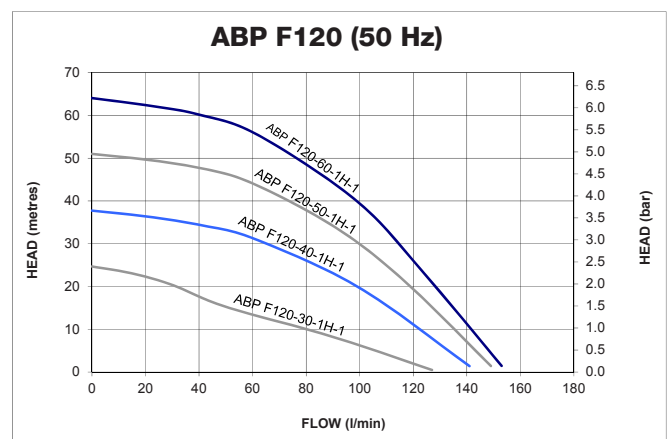


### Features

- Robust brass/stainless steel construction
- 2.6, 3.6, 4.9 and 6.2 bar performance options
- Supplied complete with a WRAS approved 24 litre diaphragm tank to reduce pump starts and improve efficiency
- Supplied ready to install, including 2 x G 1 flexible hoses, inlet strainer & pre-wired
- Fully automatic control
- Dry run protection
- Unique control system stops pump pulsing in operation
- Quiet & reliable operation
- 2 year guarantee (subject to conditions)

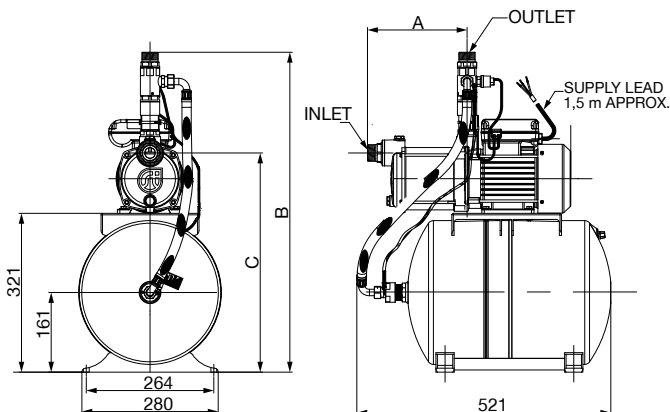
### Application

- In the home Aquaboost Pressure Sets are typically used to boost cold water supplies to Combination Boiler or Pressurised Un-vented stored hot water systems
- In light commercial applications they can be used to boost cold water supplies to laundries, kitchens, hotels & sports/leisure facilities



# aquaboost

Pump Model		ABP F120-30-1H-1 50 Hz 46601	ABP F120-40-1H-1 50 Hz 46602	ABP F120-50-1H-1 50 Hz 44622	ABP F120-60-1H-1 50 Hz 44624
General	Guarantee	2 years			
	WRAS approval	Approved materials			
Features	Pump type	Centrifugal			
	Mechanical seal	EPDM / Carbon / Ceramic			
	Anti-vibration feet	✓	✓	✓	✓
	Inlet strainer(s)	✓	✓	✓	✓
	Flexible hoses	2	2	2	2
	Run on timer	3 sec	3 sec	3 sec	3 sec
	Dry run protection	✓	✓	✓	✓
	Diaphragm tank size	24 litres			
	Diaphragm tank water capacity	12 litres			
Materials	Pump body	Brass & stainless steel			
	Impeller	Stainless steel			
Performance	Maximum head (closed valve)	2.6 bar	3.6 bar	4.9 bar	6.2 bar
	Performance @ 45 l/min	2.2 bar	3.3 bar	4.6 bar	5.8 bar
	Performance @ 90 l/min	1.3 bar	2.2 bar	3.2 bar	4.3 bar
	Maximum flow	127 l/min	141 l/min	150 l/min	153 l/min
	Static inlet pressure	1 metre (min), 10 metres (max)			
	Maximum static outlet pressure	13 metres			
	Maximum working pressure*	600 kPa (6 bar)		900 kPa (9 bar)	
	Maximum ambient air temperature	40 °C			
	Min / Max water temperature	Min 4 °C / Max 35 °C			
	Flow switch sensitivity (approx)	1.0 l/min			
	Pressure vessel air pre-charge	1.3 bar (19 psi)	1.8 bar (26.1 psi)	2.8 bar (40.6 psi)	
	Cut in flow	1 l/min			
	Cut in pressure	140 kPa (1.4 bar)	190 kPa (1.9 bar)	290 kPa (2.9 bar)	
Connections	Pump connections	G 1 male			
Flexible hoses	Connections	G 1 male x G 1 female x 300 mm long			
Motor	Type	Induction type, thermally protected			
	Duty rating	Continuous (S1)			
Electrical	Power supply / phase / frequency	230 V a.c. / 1 / 50 Hz			
	Current (full load)	3.5 Amps	5.1 Amps	7.3 Amps	8.7 Amps
	Power consumption	775 Watts	1136 Watts	1655 Watts	1974 Watts
	Fuse rating	13 Amps			
	Power lead (pre-wired)	1.5 metres			
Physical	Enclosure protection	IPX5			
	Length	521 mm			
	Width	280 mm			
	Height (excluding hoses)	647 mm			
	Weight (including fittings)	17.3 Kg	18.5 Kg	23.4 Kg	25.9 Kg



\* The maximum pressure that can be applied to the pump under any installation conditions.

Pump Description	Dim. 'A'	Dim. 'B'	Dim. 'C'
ABP F120-30-1H-1	179.5 mm	647 mm	443 mm
ABP F120-40-1H-1	204 mm	647 mm	443 mm
ABP F120-50-1H-1	232 mm	667 mm	453 mm
ABP F120-60-1H-1	257 mm	667 mm	453 mm

Stuart Turner Limited reserves the right to amend specifications without notice.

## **Check out our full range of Showers**

Electric Showers

Digital Showers

Mixer Showers

Power Showers

Smart Showers

Shower Towers

## **From Top Shower Brands**

Mira Showers

Aqualisa Showers

Triton Showers

Gainsborough Showers

## **Shower Pumps can upgrade your showering experience even more**

Stuart Turner Shower Pumps

Salamander Shower Pumps

Grundfos Shower Pumps

**plumbworld**  
**Big brands, small prices.**