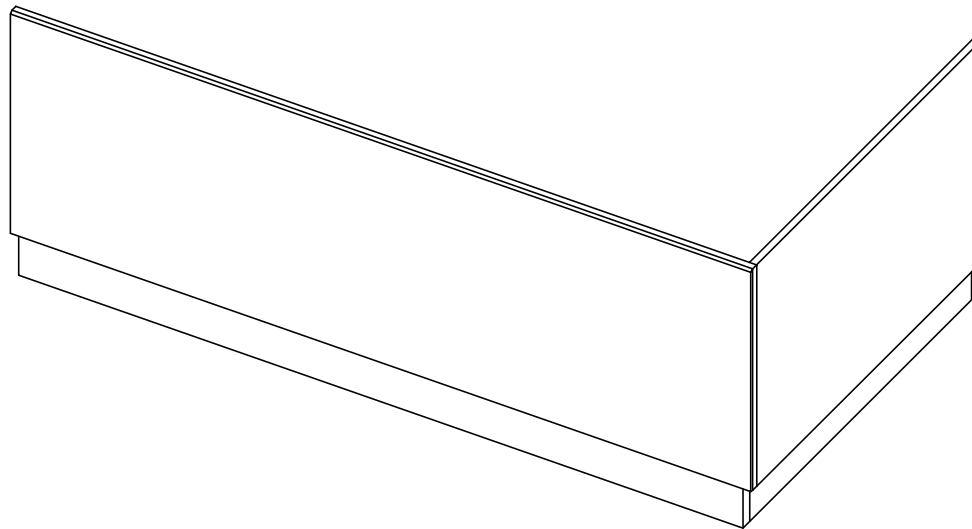
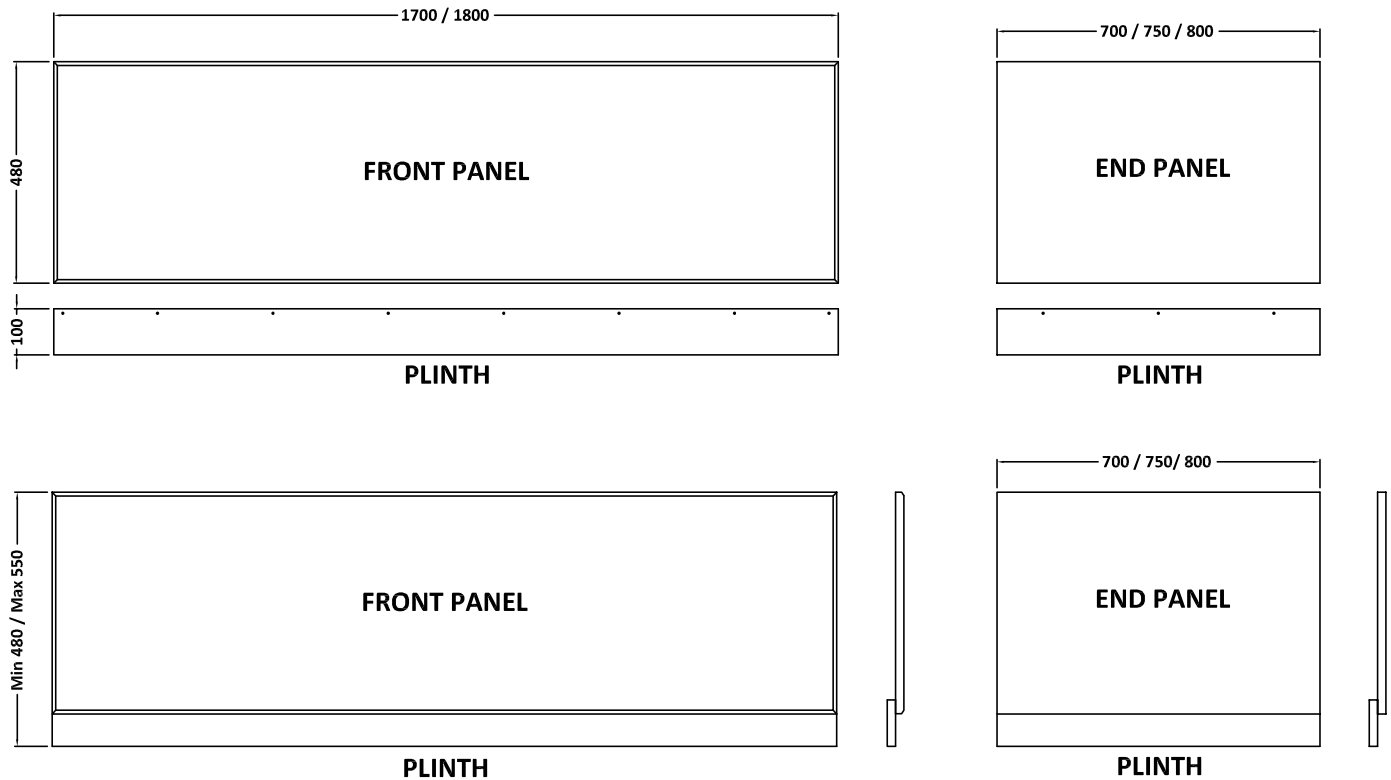


STANDARD BATH PANEL FITTING INSTRUCTION



1. MEASURE FROM THE UNDERSIDE OF THE BATH RIM TO THE FLOOR TO ESTABLISH THE HEIGHT OF THE BATH PANEL REQUIRED.
2. DRILL EQUALLY SPACED HOLES ALONG THE PLINTH AND SCREW TO THE BOTTOM EDGE OF THE MAIN PANEL AT THE DESIRED HEIGHT.
3. IT IS ADVISABLE THAT YOU BUILD A FRAME OR FIT BATTENS ALONG THE FLOOR AND DOWN THE WALL SIDES TO SUPPORT THE PANEL.
4. WHEN AN END PANEL IS USED, IT IS NECESSARY TO TRIM THE PANEL & PLINTH TO LENGTH. ANY TRIMMING SHOULD BE DONE AT THE WALL END TO ENSURE THAT THE FINISHED EDGE IS AT THE VISIBLE CORNER. THE FRONT AND END PANELS ARE FASTENED TOGETHER USING THE SCREWS & CORNER BRACKETS PROVIDED.
5. ANY CUT OR TRIMMED EDGES MUST BE SEALED AGAINST WATER INGRESS. IT IS ALSO ADVISABLE TO SEAL ALL THE OUTER EDGES OF THE PANELS AND IN PARTICULAR THE UNDERSIDE OF THE BATH LIP WHERE THE PANEL MEETS.

Check out our full range of Bathroom Suites

Bathroom Suites By Range

Cloakroom Suites

Toilets

Bathroom Sinks / Wash Basins

Bidets

Baths

Wide variety of toilets

Close Coupled Toilets

Wall Hung Toilets

Back To Wall Toilets

Furniture unit toilets

Huge Selection of Baths

Acrylic Baths

Steel Baths

Shower baths

Freestanding baths

Small baths

Corner baths

Whirlpool baths

Don't forget the important bathroom suite extras

Bath panels

Toilet seats

plumbworld
Big brands, small prices.