

PLEASE READ BEFORE INSTALLATION



Important

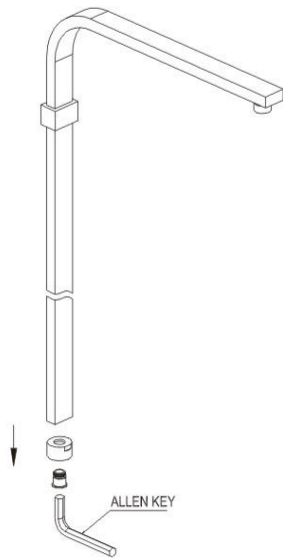
THIS PRODUCT HAS BEEN STRINGENTLY CHECKED BEFORE LEAVING THE MANUFACTURER'S PREMISES AND AGAIN BEFORE LEAVING THE DISTRIBUTOR'S WAREHOUSE

- We recommend that this product is installed by a qualified professional contractor. Such as a plumber who is certified by NVQ. (National Vocational Qualification) or SNVQ (Scottish National Vocational Qualification) Level 3.
- Please check this product immediately to ensure that it has not been damaged and is complete. Before installation, please make sure this product is the correct model and you have all the parts required for installation and using.
- This valve is a mixing device and therefore requires the water supplies to be reasonably balanced, otherwise we recommend a pressure reducing valve to be fitted.
- Please flush the water system to ensure that no metal swarf, solder, and other impurities can enter the valves.
- Please read these instructions carefully and keep it for future reference.

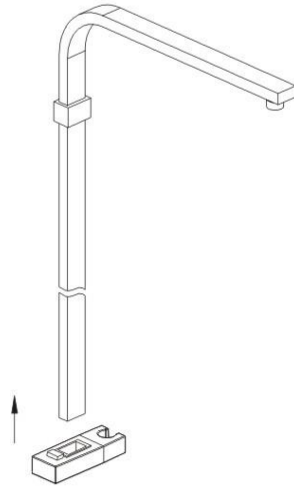
Warranty does not cover :

- incorrect installation.
- accidental or wilful misuse.
- corrosion and the use of inappropriate cleaning products (Our products should be cleaned with warm soapy water only and polished with a clean, soft, dry cloth).
- system debris, including the build up of limescale (Care should be taken in hard-water areas to ensure the cartridge is regularly cleaned).
- claims for missing parts once the product has been installed or in between the installation.
- claims for damages and scratches once the product has been installed or in between the installation.

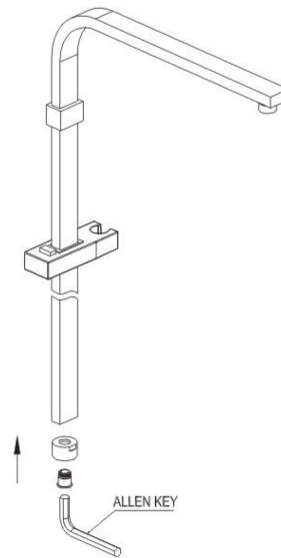
Adjustable Holder Installation Instruction



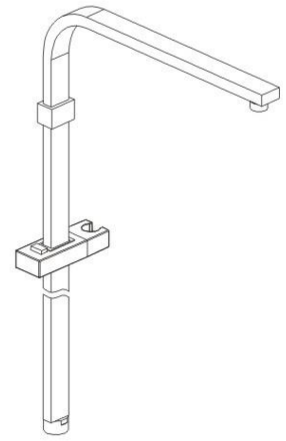
Step 1: Screw off the connector using Allen key.



Step 2: Put the adjustable holder onto the rail slider.



Step 3: Screw on the connector back to the rail slider.

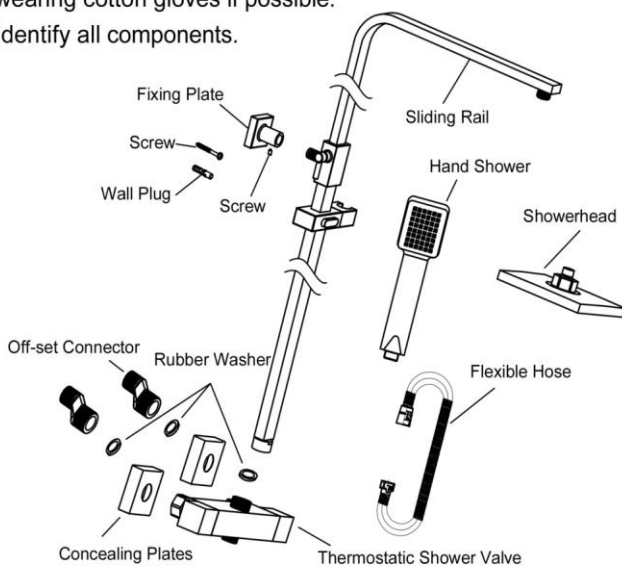


Step 4: Move the adjustable holder to the best position.

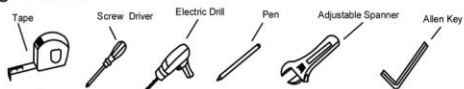
Thermostatic Shower Kit Installation Instruction

I. Before Installation

1. Flush out pipework thoroughly to remove debris.
2. Turn off water supply.
3. Carefully take the kit out of the box in case of any scratches, wearing cotton gloves if possible.
4. Identify all components.

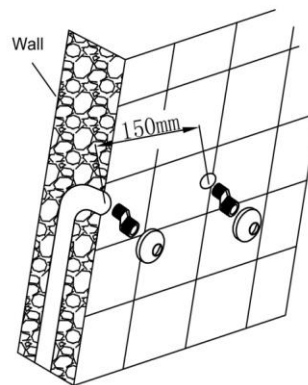


5. Tools you might need.

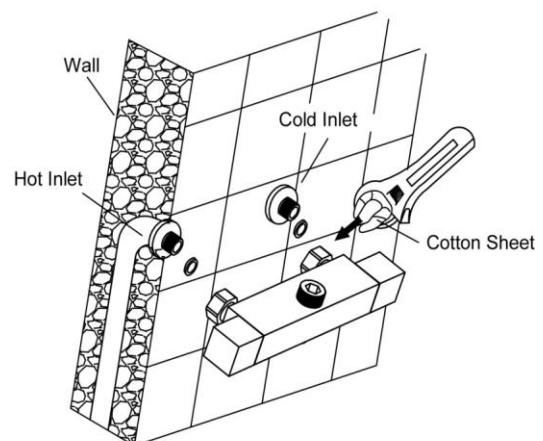


II. Installation Procedure

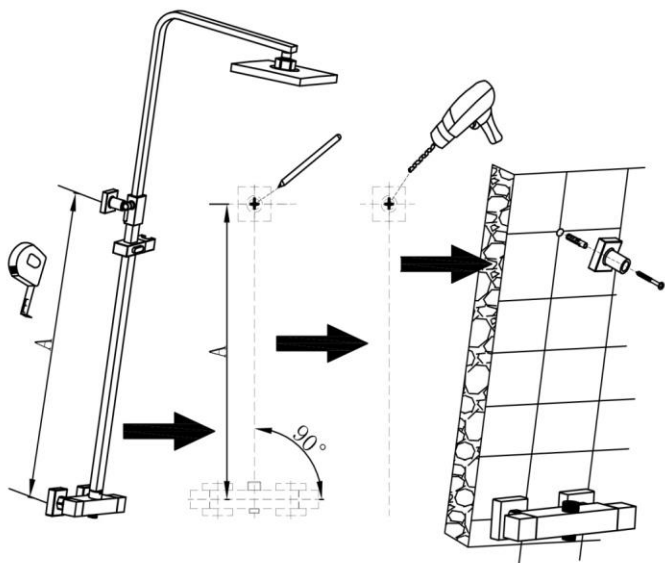
1. Fit off-set connector to the water inlets in the wall, then screw the concealing plates onto the off-set connector until they come into contacting with the wall. Seal with an appropriate sealant.



2. Fix the connector of shower valve to the off-set connector with spanner. Please use a cotton sheet inside of spanner in case of any scratches. Make sure hot inlet on the left and cold inlet on right, otherwise it will affect the performance.

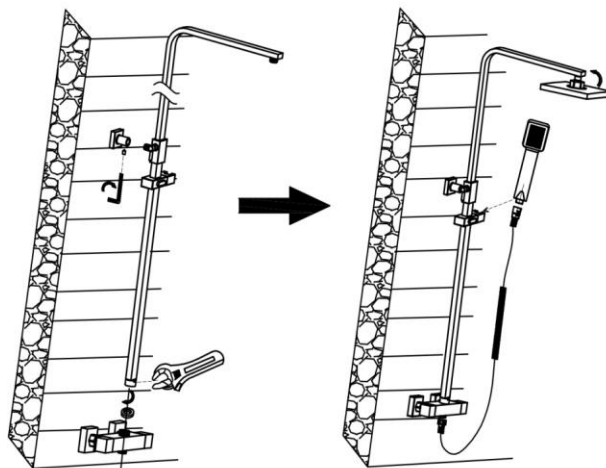


3. Measure the installation height of the shower kit with tape. Mark two holes in required position with pen. Drill holes properly with electric drill and place the wall plugs into the holes. Fit the cap into the fixing plate.



4. Align the shower valve and connector and tighten the nuts using an adjustable spanner. Fit screw to the fixing plate with allen key then secure the rail to the wall. Finally connect the headshower to flexible hose, flexible hose to the mixed water outlet, showerhead to the top of sliding rail.

3



5. Adjust the height of sliding rail suitably.
6. Turn on the water supplies and check for correct operation.



III. After Care

1. This shower kit has a high quality finish and should be treated with care.
2. An occasional wipe with a mild washing-up liquid on a soft damp cloth followed by a thorough rinsing is all that is required .
3. Do not use an abrasive or chemical household cleaner as this may cause damage.

4

Check out our full range of Showers

Electric Showers

Digital Showers

Mixer Showers

Power Showers

Smart Showers

Shower Towers

From Top Shower Brands

Mira Showers

Aqualisa Showers

Triton Showers

Gainsborough Showers

Shower Pumps can upgrade your showering experience even more

Stuart Turner Shower Pumps

Salamander Shower Pumps

Grundfos Shower Pumps

plumbworld
Big brands, small prices.