

# Helvellyn

---

**Equipment sheet**  
Fireplace stove

---

**GB**

**0434815001400**


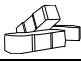


# Contents

<b>1. Technical data</b> .....	1
1.1. Suitable fuel, stoking amount of fuel .....	1
<b>2. Technical description</b> .....	2
<b>3. List of spare parts</b> .....	3
3.1. Overall scheme of the model .....	3
3.2. Detail A1 .....	4
3.3. Detail A2.....	5
<b>4. Dimensioned diagram</b> .....	6
<b>5. Adjustment of the controller</b> .....	7
<b>6. Change of the smoke neck</b> .....	8



# 1. Technical data

	Wood 	Lignite briquette 
Achievable heat output	4,8 kW	4,5 kW
Nominal heat output	4,5 kW	4,5 kW
Energy efficiency	75,5 %	71,1 %
Average concentration of CO at 13% O <sub>2</sub>	1168,5 mg/Nm <sup>3</sup>	2938 mg/Nm <sup>3</sup>
Average concentration of dust at 13% O <sub>2</sub>	30,5 mg/Nm <sup>3</sup>	—
Average concentration of NOx at 13% O <sub>2</sub>	122,5 mg/Nm <sup>3</sup>	226 mg/Nm <sup>3</sup>
Three values of combustion products (three specific output parameters of chimneys)		
Amount of combustion products at nominal output	4,6 g/s	5,5 g/s
Temperature of combustion products in the smoke flue neck	308 °C	235 °C
Minimum draft of the chimney at nominal heat output	12 Pa	12 Pa

## 1.1. Suitable fuel, stoking amount of fuel

Fuel:	Max. stoking amount of fuel
Wood:	1 logs (max. 1,5 kg)
Length of wood logs:	Max. 33 cm
Lignite briquette:	1 - 2 brown-coal briquettes (max. 1 kg)



### Note

When heating with wood stock, employ solely the types of wood which have been stored for two years and their residual humidity is at most 17 %.

Mi-Stoves recommends the use of HETAS approved smokeless fuels which have been deemed suitable for use on closed appliances including multi-fuel stoves, these are :

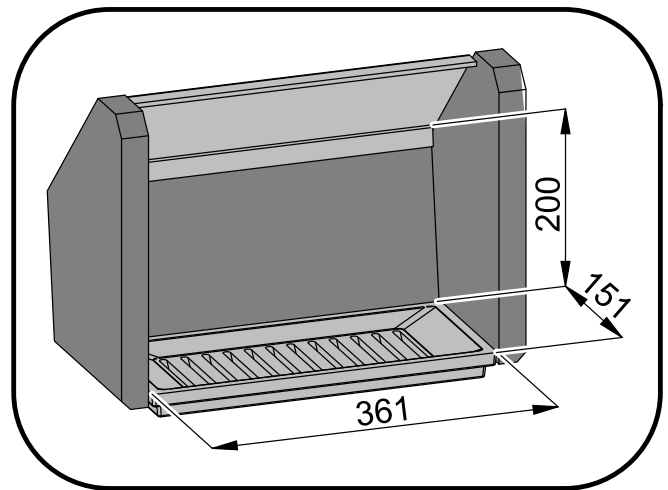
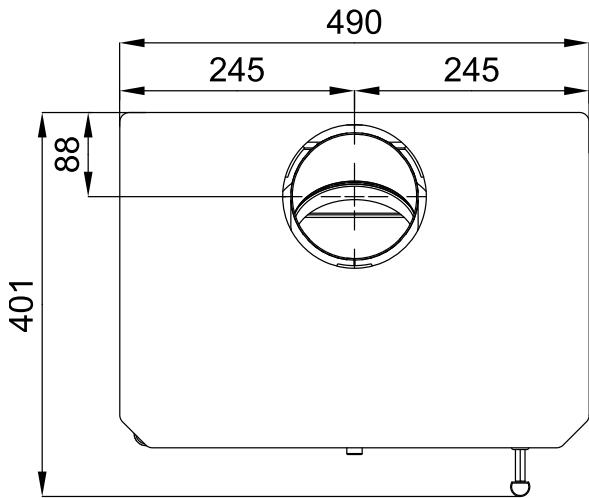
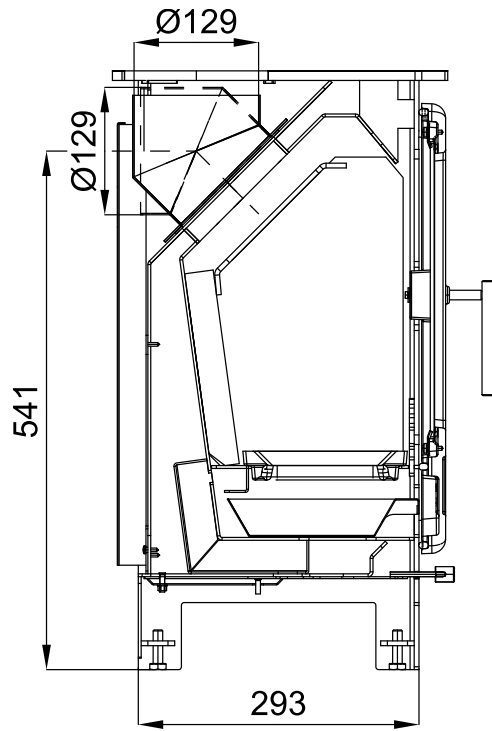
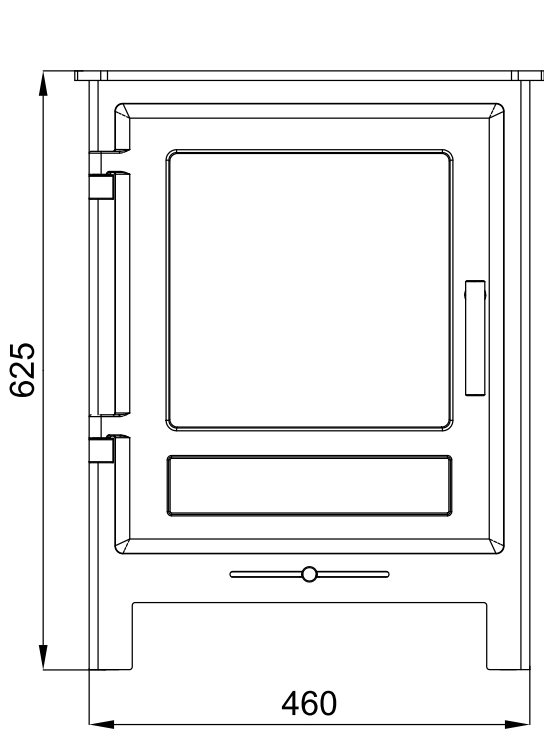
Anthracite  
 ANCIT™  
 COALITE FLAME™  
 HOMEFIRE™  
 HOMEFIRE ECOCOAL™  
 HOMEFIRE COAL™  
 MAXIBRITE™  
 SUPERTHERM™  
 PUREHEAT™  
 SUNBRITE™  
 TAYBRITE™

Pure petroleum coke or bituminous house coal must not be burned in this appliance. The use of these fuels will invalidate the guarantee.

When heating with wood stock, employ solely the types of wood which have been stored for 2 years and their residual humidity is at most 17%

# 2. Technical description

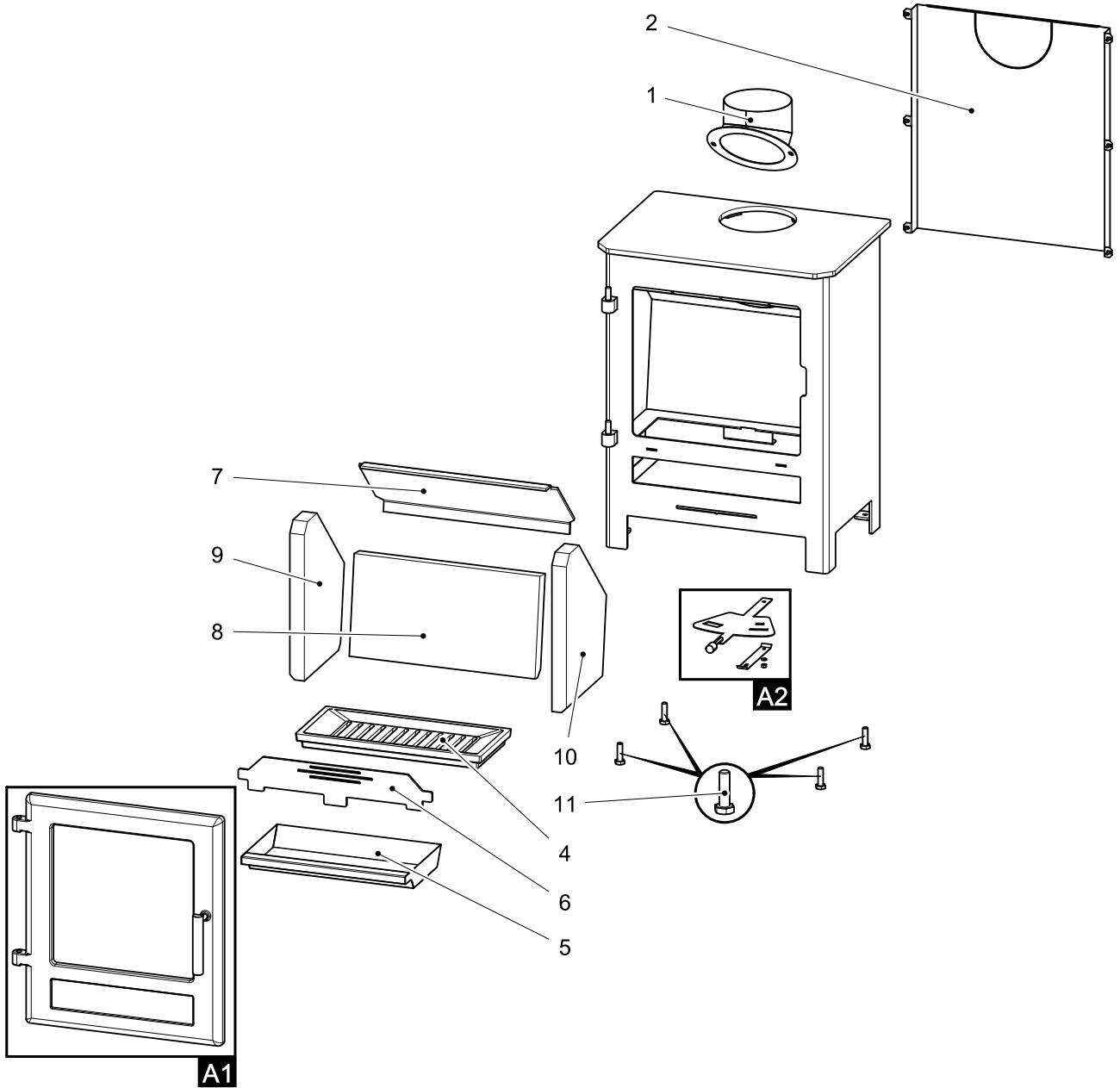
Technical description



GB

# 3. List of spare parts

## 3.1. Overall scheme of the model



List of spare parts

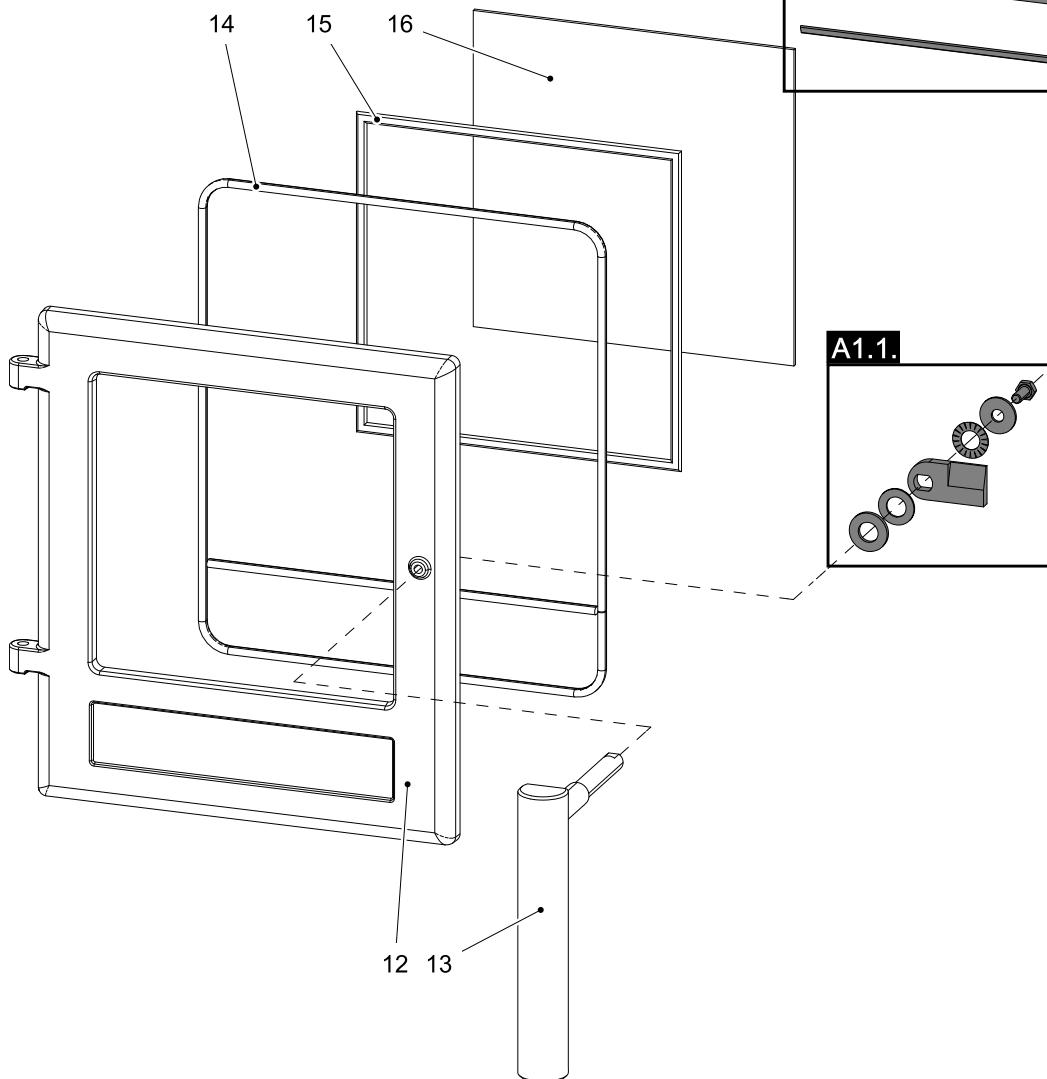
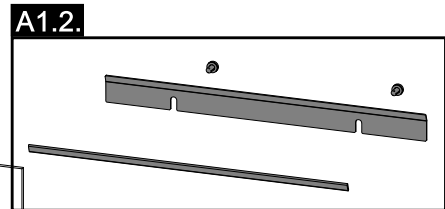
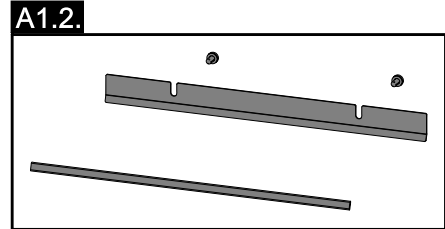
GB

Item	Name	Quantity	Number of goods
<b>Overall scheme of the model</b>			
<b>A1</b>	Fire-box door (complete)/black	1 piece	
<b>A2</b>	Sliding valve (complete)/black	1 piece	
<b>1</b>	Smoke flue neck/black	1 piece	
<b>2</b>	Rear cover/black	1 piece	
<b>3</b>	Upper blind flange/black (page 8)	1 piece	
<b>4</b>	Grate/black	1 piece	
<b>5</b>	Ashpan/black	1 piece	
<b>6</b>	Protection/black	1 piece	

7	Screen loose (5x410x202,7)	1 piece	
8	Brick 204x384x30	1 piece	
9	Brick 322x223,9x30	1 piece	
10	Brick 322x223,9x30	1 piece	
11	Bolt M10x35	1 piece	

### 3.2. Detail A1

List of spare parts

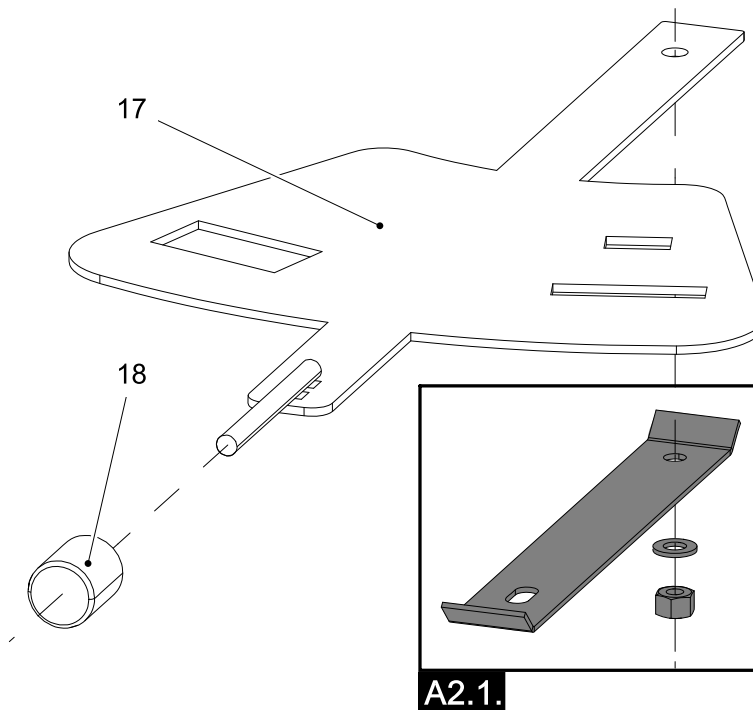


GB



Item	Name	Quantity	Number of goods
<b>Detail A1</b>			
<b>A1.1.</b>	Handle connecting material — set	1 piece	
<b>A1.2.</b>	Glass holder — set/black	1 piece	
<b>12</b>	Fire-box door (welded part)/black	1 piece	
<b>13</b>	Fire-box door lever lock	1 piece	
<b>14</b>	Door sealing cord - 11 mm	2020 mm	
<b>15</b>	Glass sealing cord - 10x4 mm	1230 mm	
<b>16</b>	Refractory glass (312x306)	1 piece	

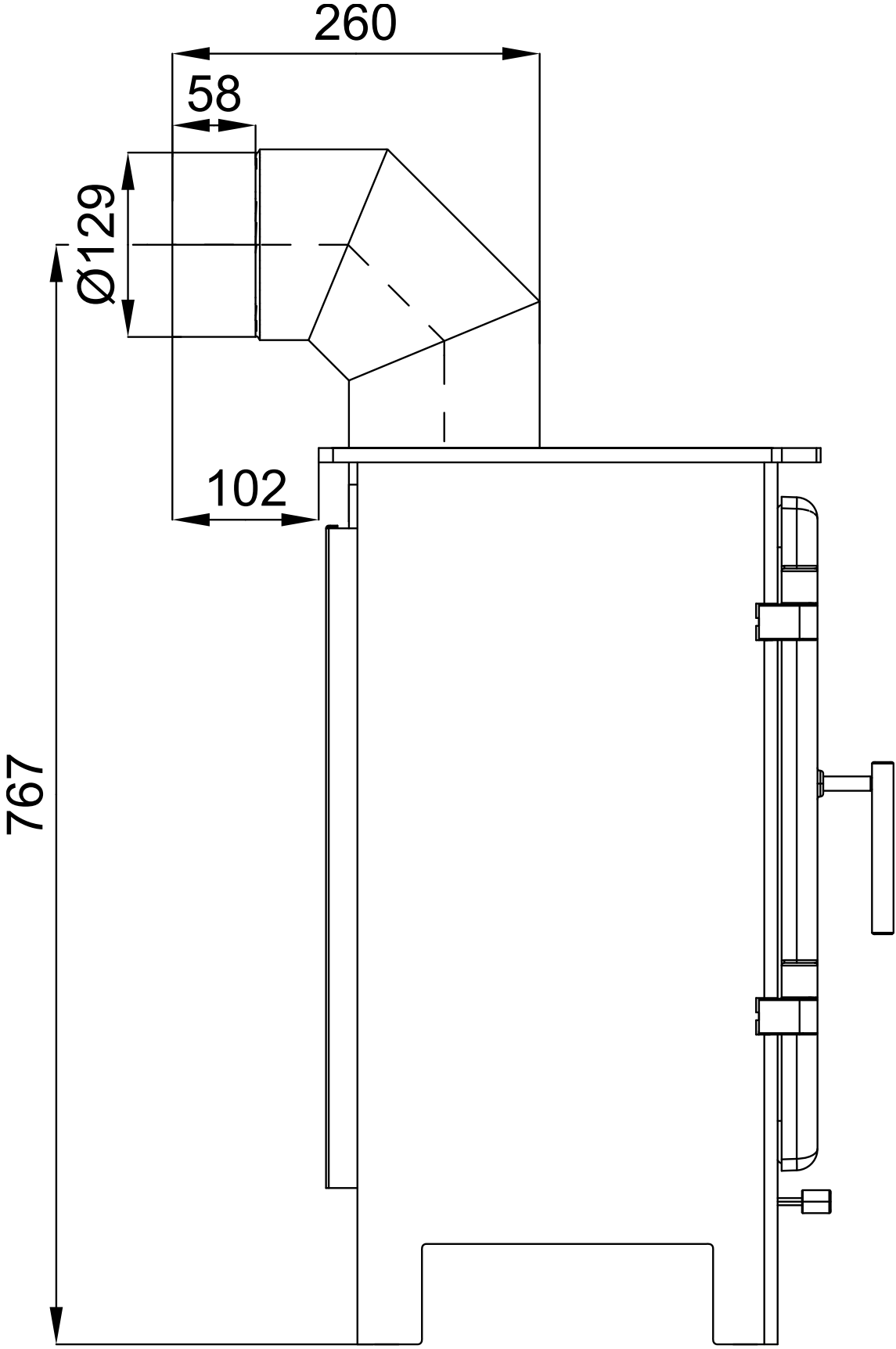
### 3.3. Detail A2



Item	Name	Quantity	Number of goods
<b>Detail A2</b>			
<b>A2.1.</b>	Spring — set/black	1 piece	
<b>17</b>	Sliding valve/black	1 piece	
<b>18</b>	Controller	1 piece	

# 4. Dimensioned diagram

Dimensioned diagram



GB

# 5. Adjustment of the controller

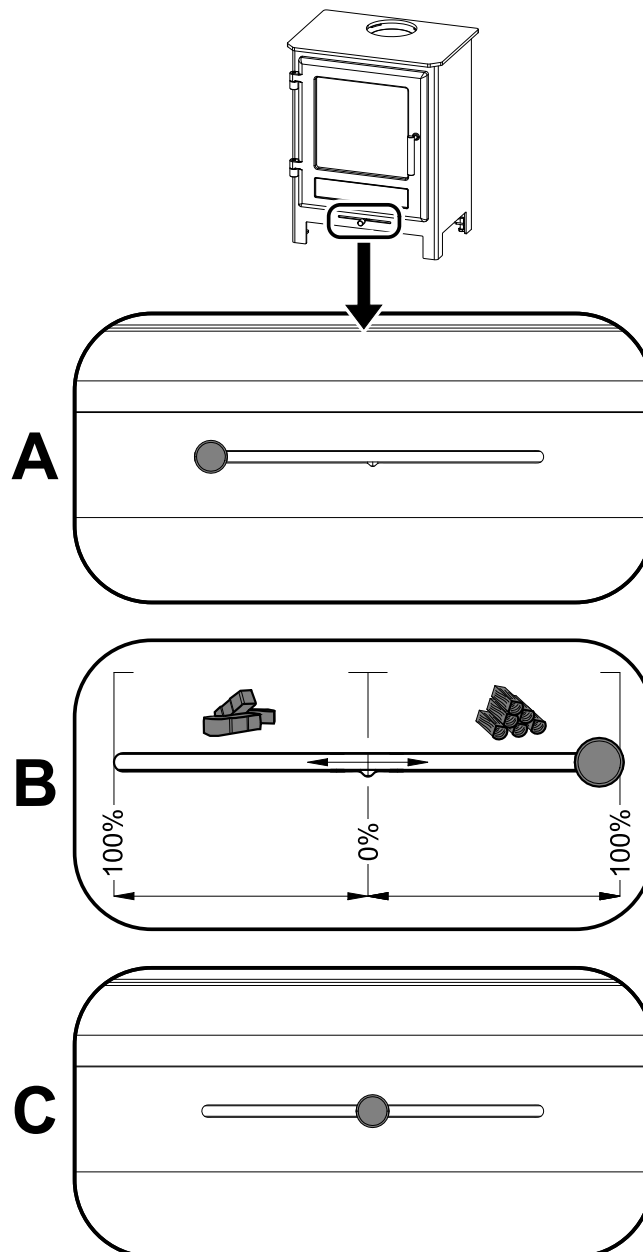
For the control of air inputs - the primary, the secondary one – there serves one controller only.

1. Controller in the position intended for lighting the stove (fig. A). All the air inputs are open (the primary and secondary ones).
2. Adjustment of the controller in the mode of heating with wood and lignite briquettes (fig. B).
3. Controller in the position for closing the air inputs (fig. C). No input (primary, secondary) is opened. This position is employed only with the stove out of operation, after finishing the heating process.



## WARNING

During the heating process, the air inputs must not come to be closed (fig. C)! In extreme cases, an explosion can be produced in the stove, with subsequent chipping of the glass, scattering of embers in the room, and a fire as a consequence.



# 6. Change of the smoke neck

Change of the smoke neck

