

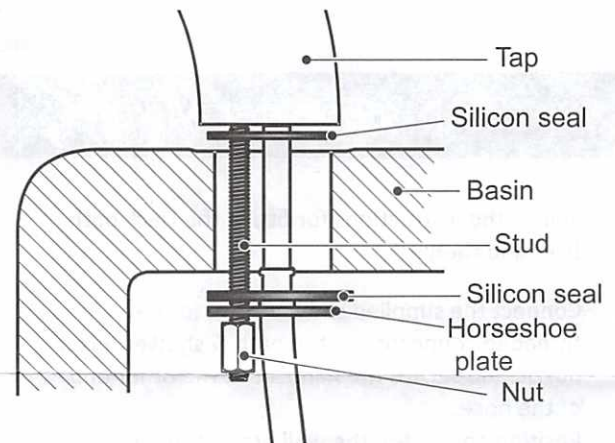
Installation Instructions

Before you start –

1. Check that the supplied product is correct & complete and has no surface damage.
2. Ensure that all existing pipe work has been flushed & that the pipe work is prepared for the installation of our new tap.
3. Isolate the water supply by closing the stop cock or isolating valves/s

Mono Basin Taps

1. Fit the O Silicone seal to the base of the tap. Some of the models also have a base ring.
2. Screw the stud into the base of the tap, securing tightly
3. Fit the two braided hoses to the base of the tap securing tightly
4. Feed the braided tubes through the tap hole in the basin and place the tap on the basin ensuring the seal between the tap & the basin is sitting correctly.
5. Fit a second O silicone seal and the horseshoe plate onto the stud and secure with the hexagon nut. Tighten to ensure the two silicone seals are compressed and the tap cannot move.
6. Connect the two braided hoses to your water supply ensuring hot and cold are connected correctly
7. Test for leaks & tighten as necessary

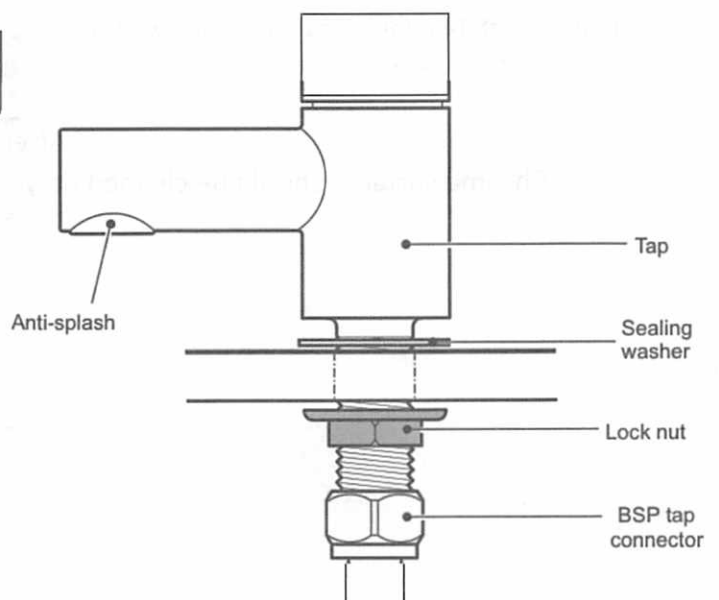


Mono Bidet Tap

To fit a mono bidet mixer tap follow the same instructions as for the mono basin tap

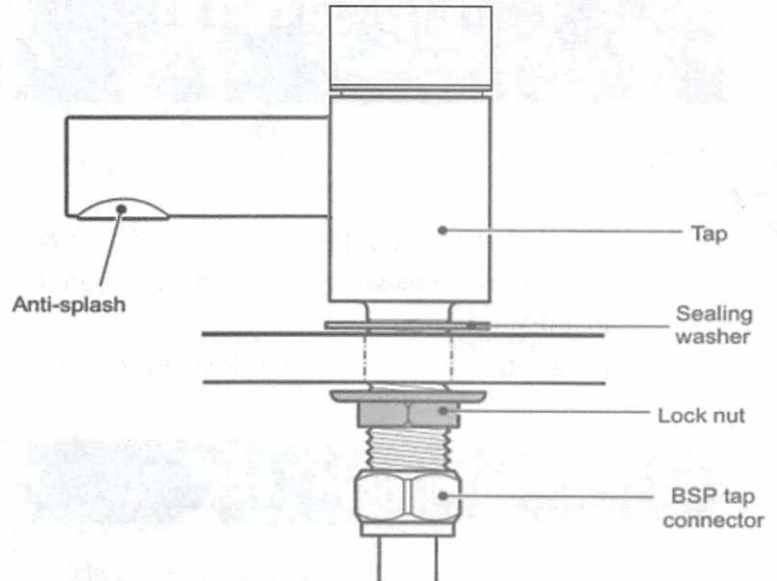
Pair 1/2" Basin Taps

1. Fit the O Sealing washer to the base of the taps and fit to the basin ensuring hot and cold taps are correctly positioned.
2. Connect your water supply to the 1/2" threaded tails ensuring hot and cold is connected correctly
3. Test for leaks & tighten as necessary



Deck Bath Filler

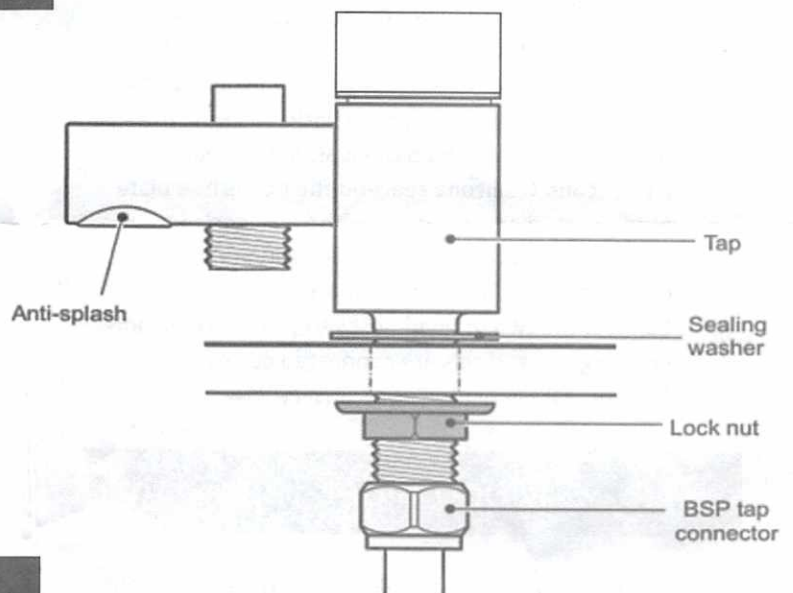
1. Fit 2 O Sealing Washers to the hot and cold threaded tails on the bath filler.
2. Position the bath filler onto the bath ensuring that the seal are located correctly. Some bath taps also have base rings.
3. Fit 2 O sealing washers & lock nuts to the threaded tail on the underside of the bath and secure tightly ensuring the sealing washers are compressed and the tap cannot move.
4. Connect the hot and cold water supplied to the two $\frac{3}{4}$ " threaded tails ensuring hot and cold is connected correctly
5. Test for leaks & tighten as necessary



Bath & Shower Mixer

Follow the instructions for fitting the Deck bath filler and then –

1. Connect the supplied shower hose to the threaded connector on the bath & shower mixer nozzle and secure the handset to the other end of the hose.
2. Position and fasten the wall bracket in the required position.
3. Test for leaks & tighten as necessary



Pair $\frac{3}{4}$ " Bath Taps

To fit $\frac{3}{4}$ " Bath Taps follow the same instructions as for the $\frac{1}{2}$ " Basin Taps

After care –

Chrome surfaces should be cleaned only with a soft non-abrasive cloth & clean water.

Check out our full range of Bathroom Taps

Contemporary Bathroom Taps

Traditional Bathroom Taps

Waterfall Bathroom Taps

Basin Taps

Bath Taps

Bidet Taps

Luxury Mira Aspects Taps

Mira Honesty

Mira Evolve

Mira Precision

Mira Comfort

Mira Revive

Mira Fluency

Don't forget these amazing tap cleaning and care products

Cramer Tap Cleaner

Cramer Chrom Star Chrome Polish

plumbworld
Big brands, small prices.